

SPECIFICATION

- Part No. : **GSA.8825.051N11**
- Product Name : I-Wand Penta-Band GSM Antenna
Works with
AMPS 850MHz/GSM 900/DCS 1800MHz/PCS
1900MHz/UMTS 3G
- Features : Easy installation – Adjustable Clip
Fully customized cable and connector
Standard = Length 0.5M with SMK connector
RoHS Compliant

Photo :



1. Introduction

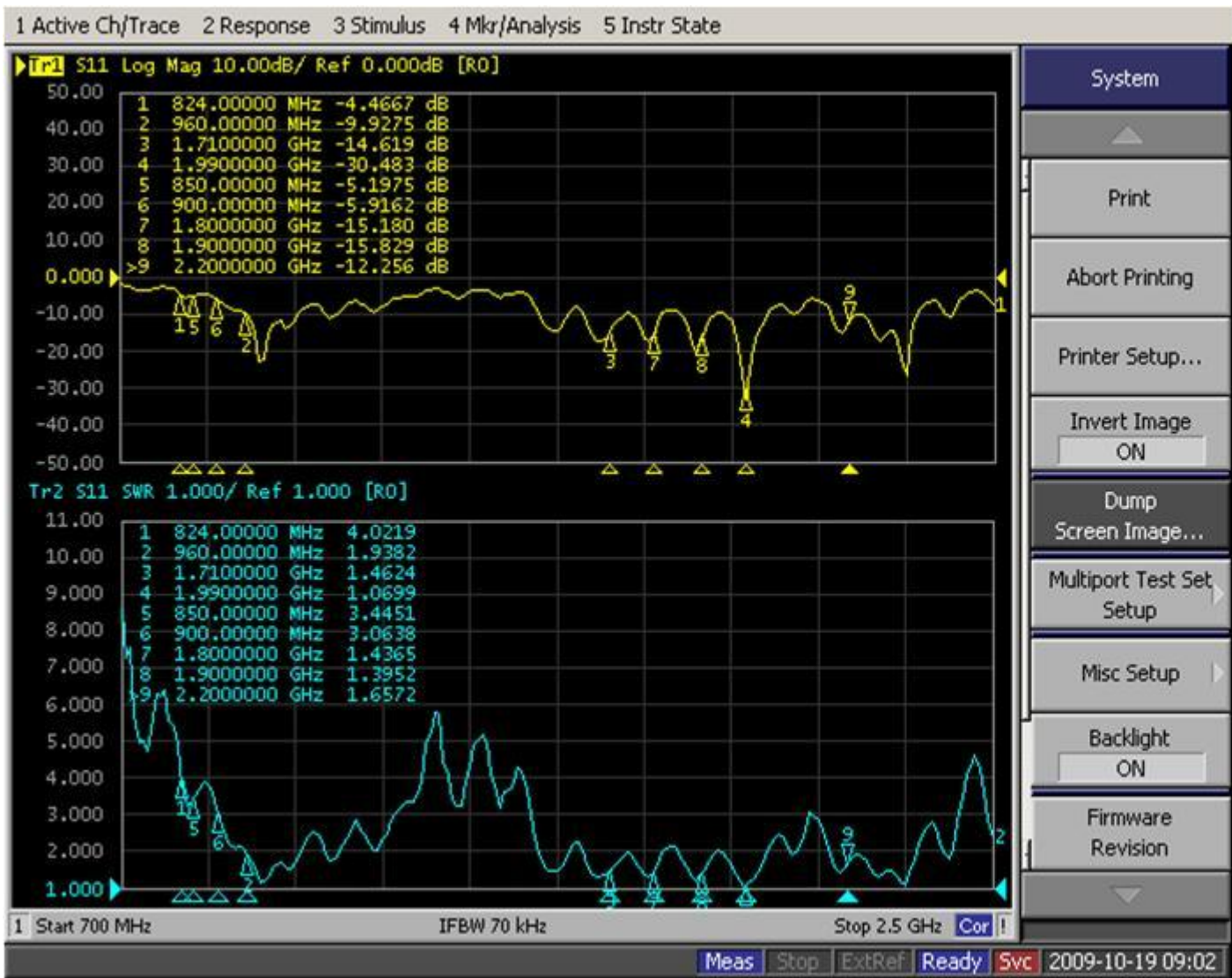
The **GSA.8825** I-Wand Penta-band GSM Antenna is flexible and robust. Its Omni-directional gain across all bands ensures constant reception and transmission. It is a high gain, high efficiency solution. Cables and connectors are fully customizable.

2. Antenna Specifications

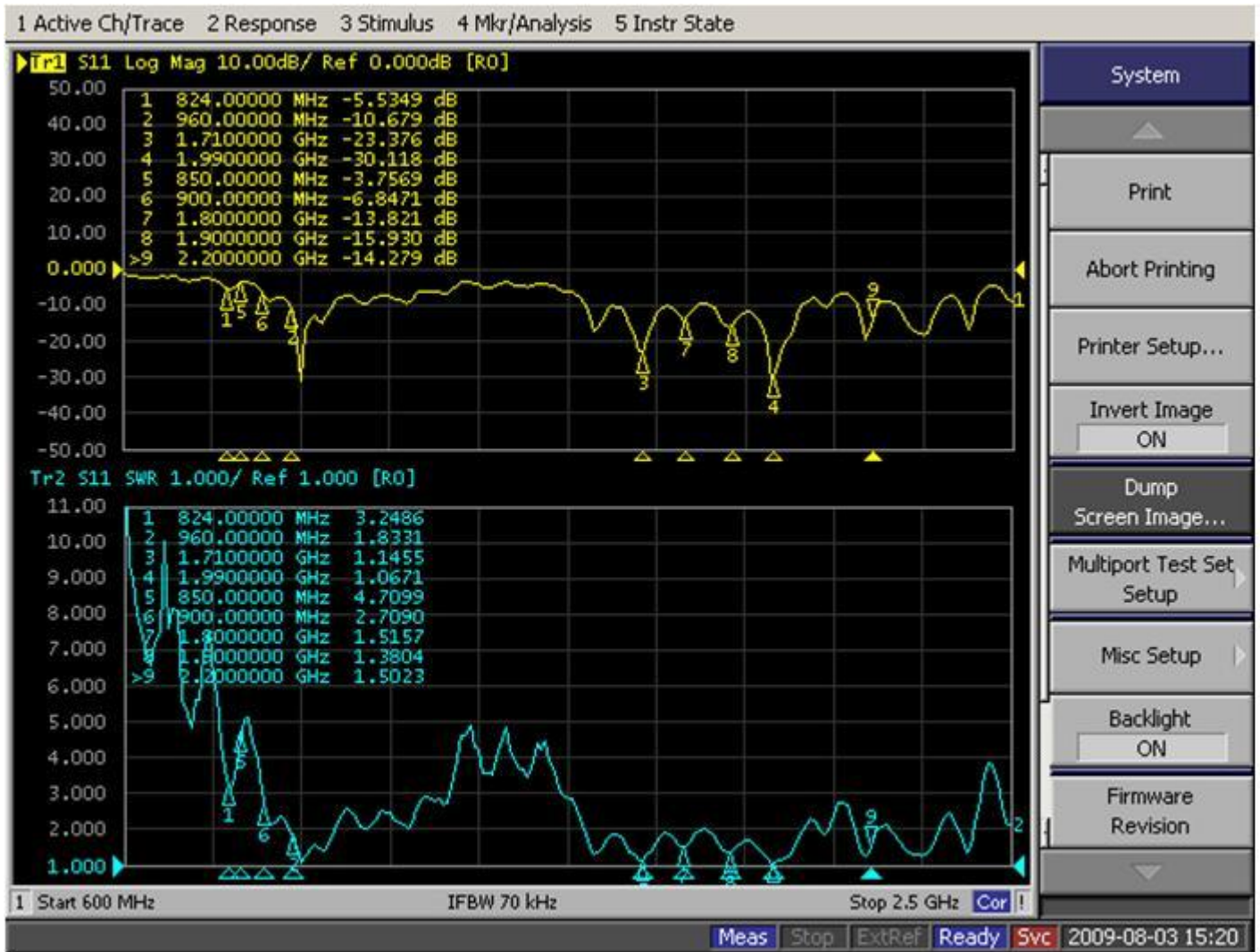
Communication System	Penta-band Cellular				
	AMPS	GSM	DCS	PCS	UMTS
Frequency (MHz)	824 ~ 896	880~960	1710~1880	1850~1990	1710~2170
Impedance	50 Ohm				
Radiation Pattern	Omni-directional				
Polarization	Linear (Vertical)				
Gain	2dBi				
Input Connection	Coaxial Cable - RG174 Standard, Fully customizable				
VSWR	< 2.0 : 1				
Dimensions (mm)	140 x 25.2mm				
Weight	48g				
Casing	Engineering Plastic - Black				
Temperature Range	-40°C to +85°C				

3. Antenna Electrical Characteristics

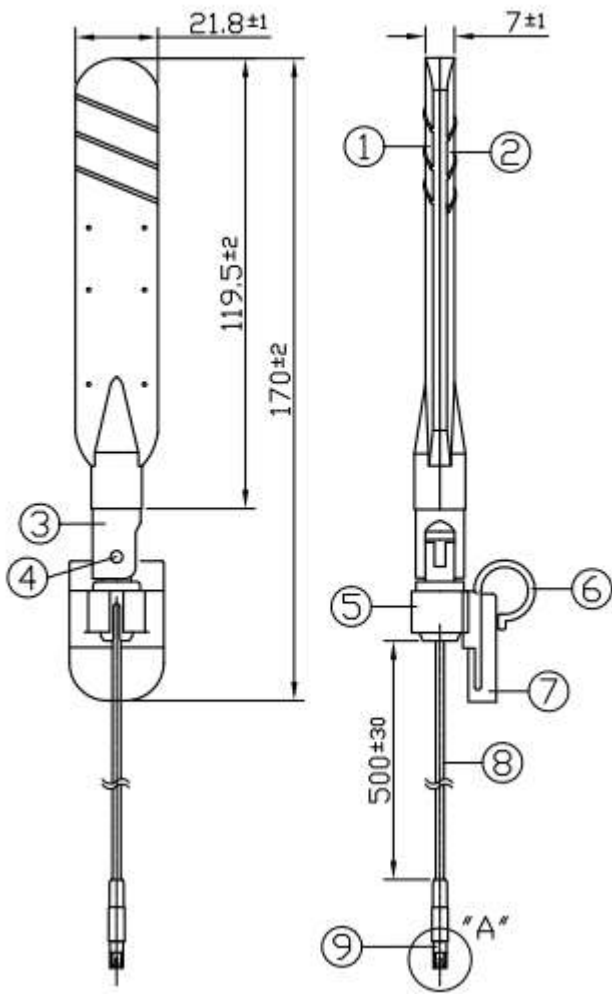
3.1 Return Loss & VSWR – GSA.8825– 1M RG-174 FME(F)



3.2 Return Loss & VSWR – GSA.8825.101N11 – 1M RG-174 SMK(M)



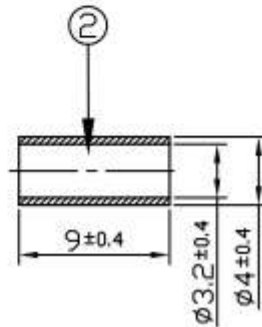
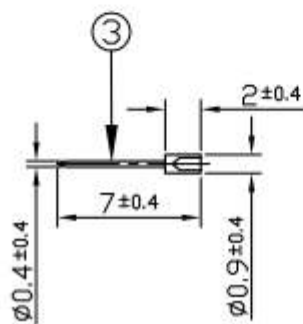
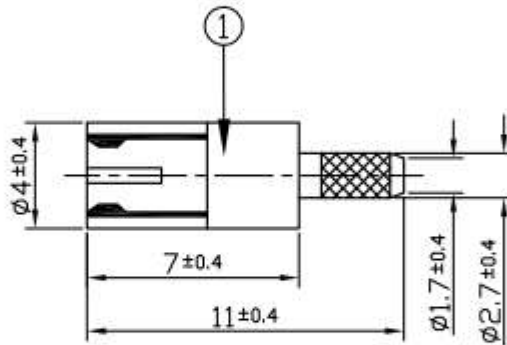
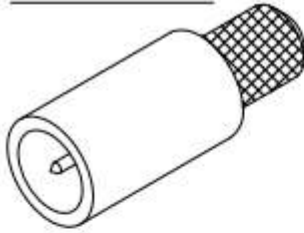
4. Mechanical Drawing (unit:mm)



	Name	Material	Finish	QTY
1	Housing_Top	ABS	Black	1
2	Housing_Bottom	ABS	Black	1
3	Hinge_Top	ABS	Black	1
4	Rotary Shaft	ABS	Black	1
5	Hinge_Bottom	Brass	Black	1
6	Body_Fix	ABS	Black	1
7	Sheet_Fix	ABS	Black	1
8	RG-174	PVC	Black	1
9	SMK(M) ST	Brass	Gold	1

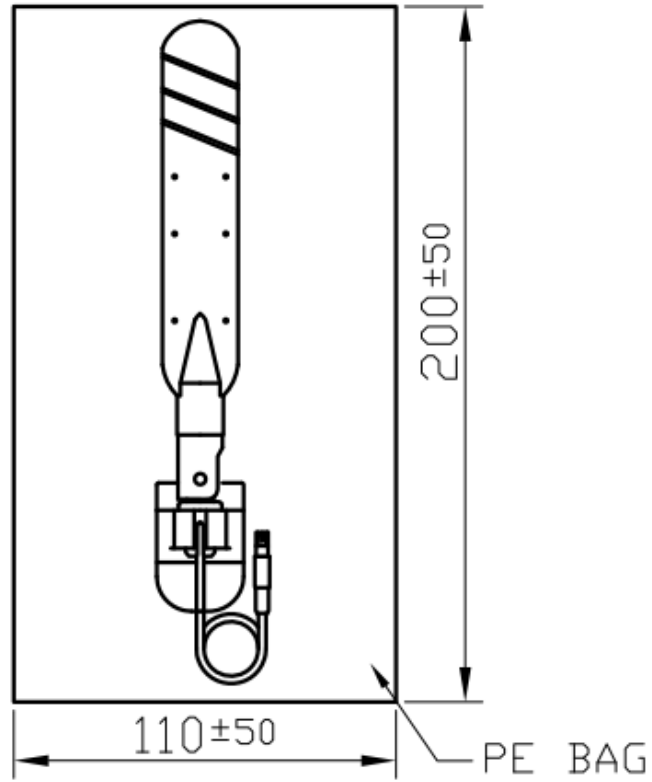
4.1 Connector Drawing

3D View



P/N	Name	Material	Finish	QTY
①	Assembly Body	Brass	Gold	1
②	Ferrule	Brass	Gold	1
③	PIN(M)	Brass	Gold	1

5. Packaging



PACKING:1PCS/BAG