

1604040-1 ✓ ACTIVE



TE Internal #: 1604040-1

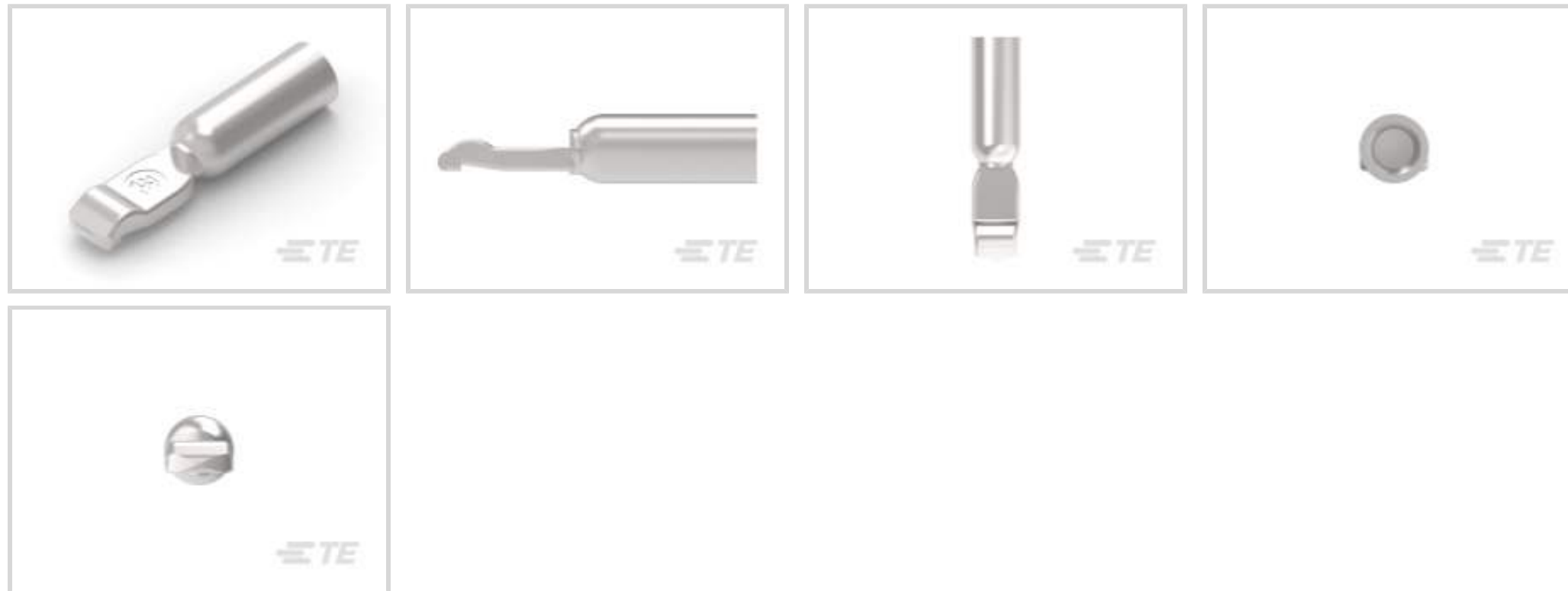
Power Contacts, Contact, 600 VAC, 600 VDC, Silver, 4 AWG Wire

Size, 21 mm<sup>2</sup> Wire Size, 41444 CMA Wire Size, Wire & Cable,

Crimp, Power, Tab

[View on TE.com >](#)

Connectors > Power Connectors > Power Contacts



Power Contact Type: **Contact**

Operating Voltage: **600 VDC**

Contact Mating Area Plating Material: **Silver**

Wire Size: **4 AWG**

## Features

### Product Type Features

|                                    |              |
|------------------------------------|--------------|
| Compatible With Discrete Wire Type | Stranded     |
| Power Contact Type                 | Contact      |
| Connector & Contact Terminates To  | Wire & Cable |

### Electrical Characteristics

|                   |         |
|-------------------|---------|
| Operating Voltage | 600 VDC |
|-------------------|---------|

### Contact Features

|  |                 |
|--|-----------------|
| Barrel Type                                    | Closed          |
| Contact Mating Area Plating Material           | Silver          |
| Contact Current Rating (Max)                   | 180 A           |
| Contact Type                                   | Tab             |
| Contact Retention Within Housing               | With            |
| Mating Tab Width                               | 12.7 mm[.5 in]  |
| Mating Tab Thickness                           | 6 mm[.236 in]   |
| Contact Base Material                          | Copper Alloy    |
| Contact Mating Area Plating Material Thickness | 1.27 µm[50 µin] |



|   |                 |
|---|-----------------|
| Wire Contact Termination Area Plating Thickness | 1.27 μm[50 μin] |
|---|-----------------|

|  |        |
|--|--------|
| Wire Contact Termination Area Plating Material | Silver |
|--|--------|

|   |        |
|---|--------|
| Wire Contact Termination Area Plating Material Finish | Bright |
|---|--------|

|                     |          |
|---------------------|----------|
| Contact Orientation | Straight |
|---------------------|----------|

|                               |        |
|-------------------------------|--------|
| Contact Underplating Material | Nickel |
|-------------------------------|--------|

|   |                 |
|---|-----------------|
| Contact Underplating Material Thickness | 50 μm[1.27 μin] |
|---|-----------------|

### Termination Features

|                                    |       |
|------------------------------------|-------|
| Termination Method to Wire & Cable | Crimp |
|------------------------------------|-------|

### Dimensions

|           |           |
|-----------|-----------|
| Wire Size | 41444 CMA |
|-----------|-----------|

### Usage Conditions

|                             |                            |
|-----------------------------|----------------------------|
| Operating Temperature Range | -40 – 105 °C[-40 – 221 °F] |
|-----------------------------|----------------------------|

### Operation/Application

|                     |       |
|---------------------|-------|
| Circuit Application | Power |
|---------------------|-------|

### Industry Standards

|           |            |
|-----------|------------|
| UL Rating | Recognized |
|-----------|------------|

|                 |    |
|-----------------|----|
| Agency/Standard | UL |
|-----------------|----|

|                        |          |
|------------------------|----------|
| UL Flammability Rating | UL 94V-0 |
|------------------------|----------|

### Packaging Features

|                    |   |
|--------------------|---|
| Packaging Quantity | 1 |
|--------------------|---|

|                  |             |
|------------------|-------------|
| Packaging Method | Loose Piece |
|------------------|-------------|

### Product Compliance

[For compliance documentation, visit the product page on TE.com>](#)

|                              |           |
|------------------------------|-----------|
| EU RoHS Directive 2011/65/EU | Compliant |
|------------------------------|-----------|

|                             |           |
|-----------------------------|-----------|
| EU ELV Directive 2000/53/EC | Compliant |
|-----------------------------|-----------|

|   |   |
|---|---|
| China RoHS 2 Directive MIIT Order No 32, 2016 | No Restricted Materials Above Threshold |
|---|---|

|  |   |
|--|---|
| EU REACH Regulation (EC) No. 1907/2006 | Current ECHA Candidate List: JUNE 2023 (235)<br>Candidate List Declared Against: JUNE 2023 (235)<br>Does not contain REACH SVHC |
|--|---|

|                 |  |
|-----------------|--|
| Halogen Content | Low Halogen - Br, Cl, F, I < 900 ppm per homogenous material. Also BFR/CFR/PVC |
|-----------------|--|

Free

Solder Process Capability

Not applicable for solder process capability

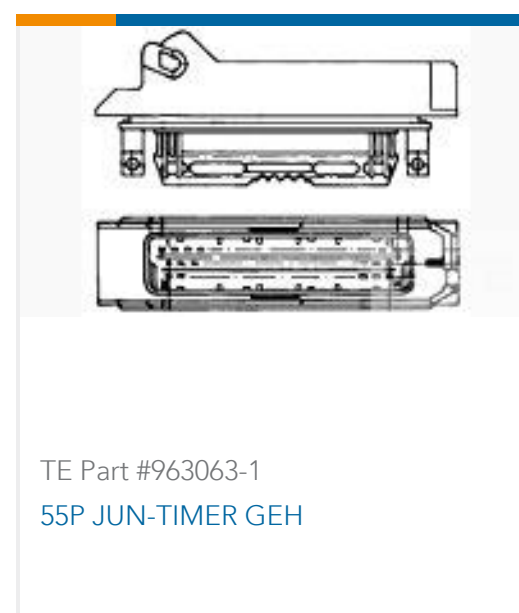
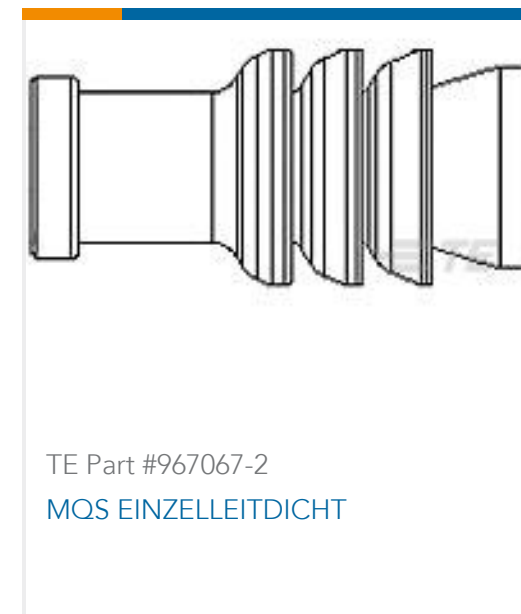
Product Compliance Disclaimer

This information is provided based on reasonable inquiry of our suppliers and represents our current actual knowledge based on the information they provided. This information is subject to change. The part numbers that TE has identified as EU RoHS compliant have a maximum concentration of 0.1% by weight in homogenous materials for lead, hexavalent chromium, mercury, PBB, PBDE, DBP, BBP, DEHP, DIBP, and 0.01% for cadmium, or qualify for an exemption to these limits as defined in the Annexes of Directive 2011/65/EU (RoHS2). Finished electrical and electronic equipment products will be CE marked as required by Directive 2011/65/EU. Components may not be CE marked. Additionally, the part numbers that TE has identified as EU ELV compliant have a maximum concentration of 0.1% by weight in homogenous materials for lead, hexavalent chromium, and mercury, and 0.01% for cadmium, or qualify for an exemption to these limits as defined in the Annexes of Directive 2000/53/EC (ELV). Regarding the REACH Regulation, the information TE provides on SVHC in articles for this part number is based on the latest European Chemicals Agency (ECHA) 'Guidance on requirements for substances in articles' posted at this URL: <https://echa.europa.eu/guidance-documents/guidance-on-reach>

### Compatible Parts



### Customers Also Bought





## Documents

### Product Drawings

[CONTACT,175A/180A,#4 AWG,L/P](#)

English

### CAD Files

Customer View Model

[ENG\\_CVM\\_CVM\\_1604040-1\\_A.2d\\_dxf.zip](#)

English

[3D PDF](#)

3D

Customer View Model

[ENG\\_CVM\\_CVM\\_1604040-1\\_A.3d\\_igs.zip](#)

English

Customer View Model

[ENG\\_CVM\\_CVM\\_1604040-1\\_A.3d\\_stp.zip](#)

English

By downloading the CAD file I accept and agree to the [Terms and Conditions](#) of use.

### Datasheets & Catalog Pages

[POWER\\_CONNECTORS\\_CATALOG\\_SEC02\\_CABLE\\_MOUNTED](#)

English

[2\\_PIECE\\_POWER\\_CONNECTORS\\_qrg\\_4-1773458-1](#)

English

### Product Specifications

[Application Specification](#)

English