

4

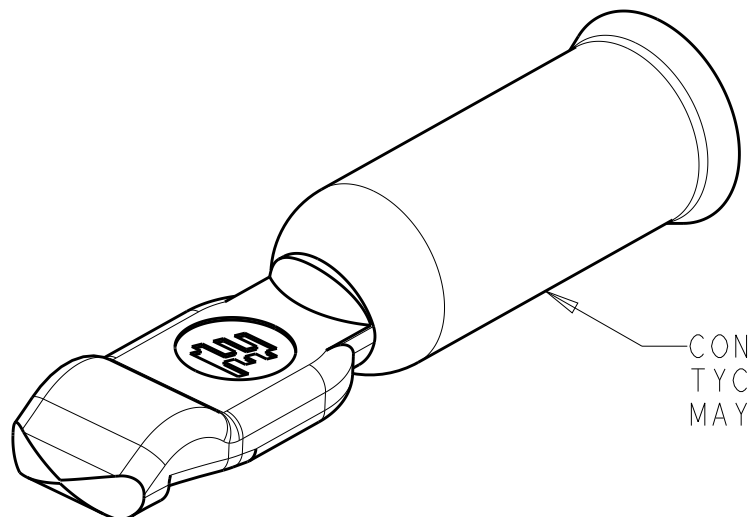
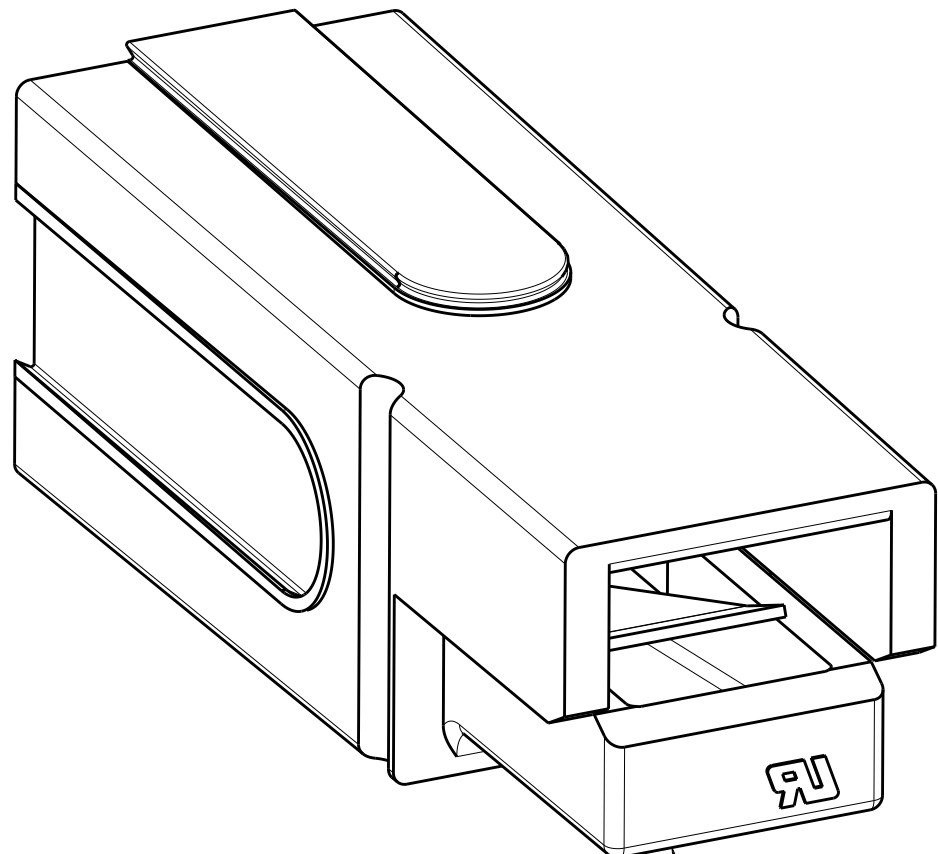
3

2

1

THIS DRAWING IS UNPUBLISHED. RELEASED FOR PUBLICATION 20  
 © COPYRIGHT 20 BY TYCO ELECTRONICS CORPORATION. ALL RIGHTS RESERVED.

LOC	DIST	REVISIONS					
CM	0	P	LTR	DESCRIPTION	DATE	DWN	APVD
			OI	REVISED PER ECR-10-010379	24MAY2010	HMR	JR
			PI	20JUN2019	ML	SZ	

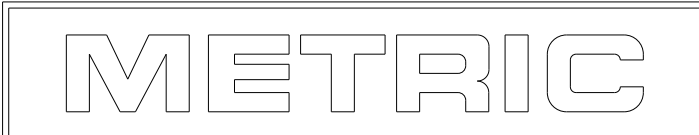


CONTACT, 1/0 AWG, 1 REQD  
 TYCO PART NUMBER 1604038-1  
 MAY BE ORDERED SEPARATELY

HOUSING-SPRING SUB-ASSY, 1 REQD  
 TYCO PART NUMBER  
 1604062-1 THRU -5 (INCLUSIVE)  
 MAY BE ORDERED SEPARATELY

GREEN	1604398-5
RED	1604398-4
WHITE	1604398-3
BLACK	1604398-2
BLUE	1604398-1
HOUSING COLOR	KIT PART NO

**THIS PRODUCT HAS PASSED VERIFICATION AND AGENCY APPROVALS TESTING AND IS COMPONENT RECOGNIZED PER UL 1977. TYCO ELECTRONICS PRODUCT QUALIFICATION TESTING IS NOT YET COMPLETED.**



<small>THIS DRAWING IS A CONTROLLED DOCUMENT FOR TYCO ELECTRONICS CORPORATION. IT IS SUBJECT TO CHANGE AND THE CONTROLLING ENGINEERING ORGANIZATION SHOULD BE CONTACTED FOR THE LATEST REVISION.</small>		DWN 9SEP2002 Brent D. Yohn		Tyco Electronics Harrisburg, PA 17105-3608	
DIMENSIONS: mm		TOLERANCES UNLESS OTHERWISE SPECIFIED: 0 PLC ±.4 1 PLC ±0.4 2 PLC ±0.13 3 PLC ±0.050 4 PLC ±. ANGLES ±.		CHK 9SEP2002 W.H. BERNHART APVD 9SEP2002 W.H. BERNHART	
MATERIAL -		FINISH -		PRODUCT SPEC - APPLICATION SPEC 114-13118 WEIGHT -	
CUSTOMER DRAWING				NAME KIT, CONNECTOR, SERIES 180 AMP, WITH 1/0 AWG CONTACTS	
SIZE A3		CAGE CODE 00779		DRAWING NO C-1604398	
SCALE 2:1				SHEET 1 OF 1	
REV PI				RESTRICTED TO	