

MATERIALS AND FINISHES

BODY, COVER: BRASS
PLATED TRI-M

CONTACT: BRASS
PLATED SILVER

COUPLING NUT: BRASS
PLATED NICKEL

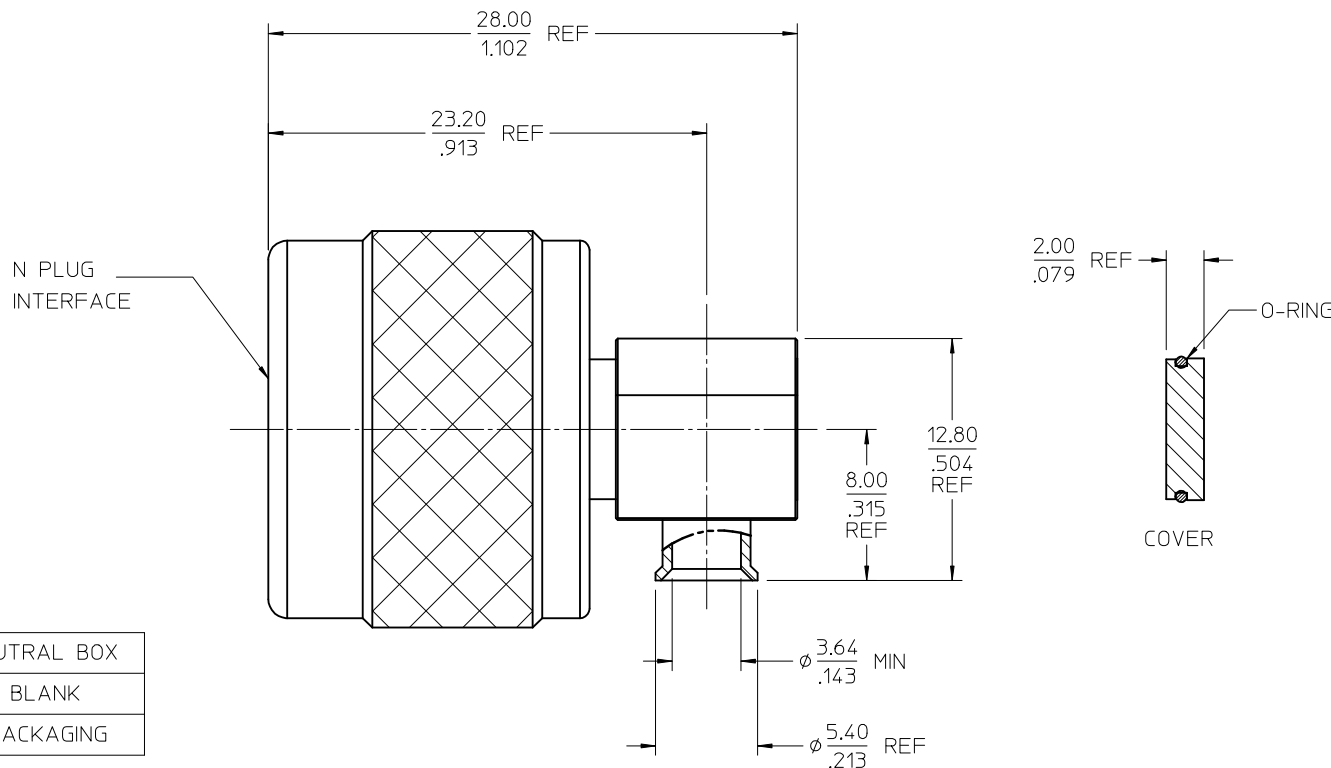
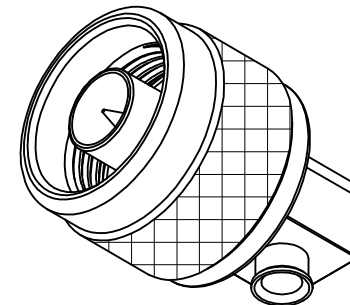
C-RING: PHOSPHOR BRONZE

INSULATOR: TEFLON

O-RING: SILICONE RUBBER

PERFORMANCE REQUIREMENTS:

FREQUENCY RANGE: 0-6000MHz
IMPEDANCE: 50 OHM
WITHSTANDING VOLTAGE(AC): 1500V @0.5mA
VSWR: ≤1.25(0-3000MHz);
WATER-PROOF: IP68 WHEN MATED

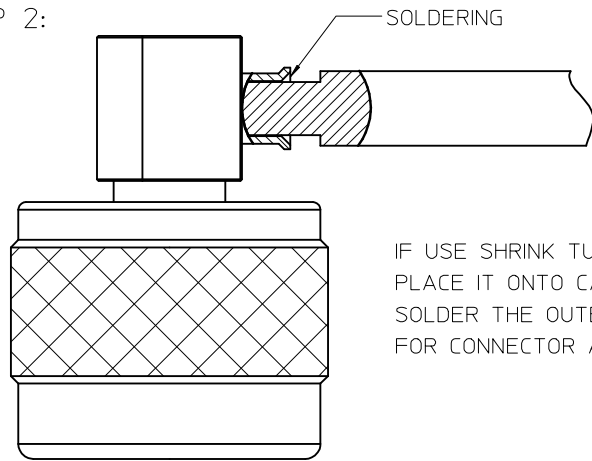


73141-4071	YES	NEUTRAL BOX
73141-4070	NO	BLANK
PART NO.	DUST CAP	PACKAGING

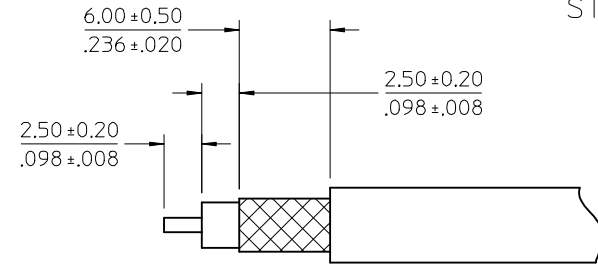
IEC60169-16	INTERFACE
SPECIFICATION	DESCRIPTION

CHG: NEW RELEASE PER PDR J1507694 EC NO: URF2016-0112 DRWN: YHUANG11 2015/07/21 CHKD: LCHEN03 2015/07/21 APPR: MYE08 2015/08/14	QUALITY SYMBOLS	GENERAL TOLERANCES (UNLESS SPECIFIED)	DIMENSION STYLE	SCALE	DESIGN UNITS	THIRD ANGLE PROJECTION	
	$\nabla = 0$ $\nabla = 0$ $\nabla = 0$	mm INCH	MM/IN	DRAWN BY DATE	METRIC	N PLUG R/A, 50 OHM FOR 141 CABLE N-P-R/A	THIS DRAWING CONTAINS INFORMATION THAT IS PROPRIETARY TO MOLEX INCORPORATED AND SHOULD NOT BE USED WITHOUT WRITTEN PERMISSION
	4 PLACES ± --- ± --- 3 PLACES ± --- ± --- 2 PLACES ± --- ± --- 1 PLACE ± --- ± --- 0 PLACE ± --- ± ---	YHUANG11 2015/07/21 LCHEN03 2015/07/21 MYE08 2015/08/14	TITLED SD-73141-407				
	ANGULAR ± 2° DRAFT WHERE APPLICABLE MUST REMAIN WITHIN DIMENSIONS	MATERIAL NO.	DOCUMENT NO.	SHEET NO.			
A	731414070	SD-73141-407	1 OF 2				

STEP 2:



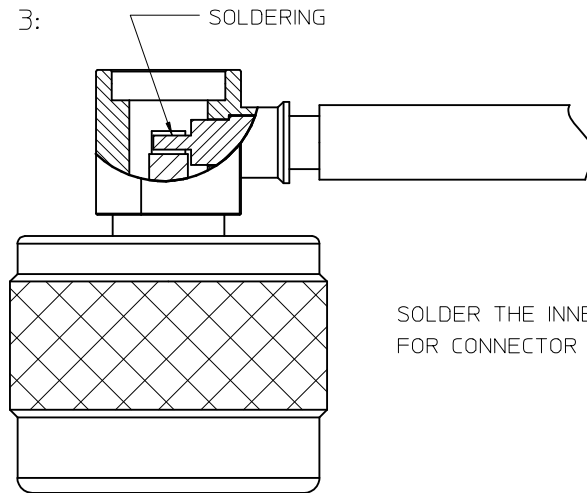
IF USE SHRINK TUBE
PLACE IT ONTO CABLE BEFORE
SOLDER THE OUTER CONDUCTOR
FOR CONNECTOR AND CABLE



141 CABLE
RECOMMENDED STRIP DIMENSION

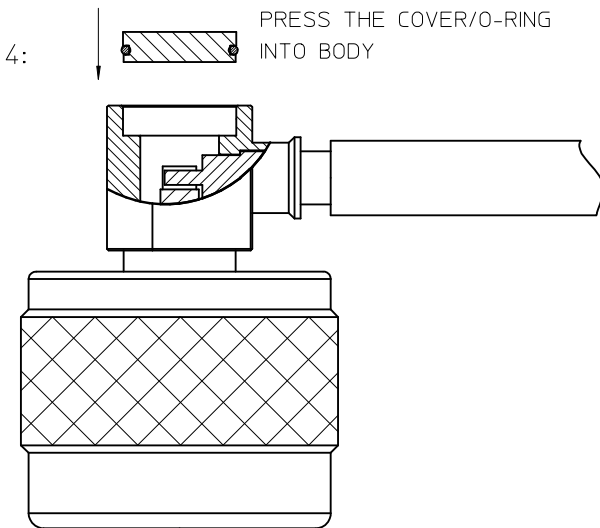
STEP 1:

STEP 3:



SOLDER THE INNER CONDUCTOR
FOR CONNECTOR AND CABLE

STEP 4:



CHG: SEE SHEET 1 EC NO: URF2016-0112 DRAWN: HUANG11 2015/07/21 CHKD: LCHEN03 2015/07/21 APPR: MYE08 2015/08/14	DESCRIPTION REV	QUALITY SYMBOLS	GENERAL TOLERANCES (UNLESS SPECIFIED)	DIMENSION STYLE	SCALE	DESIGN UNITS	THIRD ANGLE PROJECTION																		
		$\nabla = 0$ $\nabla = 0$ $\nabla = 0$	<table border="1"> <tr> <th></th> <th>mm</th> <th>INCH</th> </tr> <tr> <td>4 PLACES</td> <td>± ---</td> <td>± ---</td> </tr> <tr> <td>3 PLACES</td> <td>± ---</td> <td>± ---</td> </tr> <tr> <td>2 PLACES</td> <td>± ---</td> <td>± ---</td> </tr> <tr> <td>1 PLACE</td> <td>± ---</td> <td>± ---</td> </tr> <tr> <td>0 PLACE</td> <td>± ---</td> <td>± ---</td> </tr> </table>		mm	INCH	4 PLACES	± ---	± ---	3 PLACES	± ---	± ---	2 PLACES	± ---	± ---	1 PLACE	± ---	± ---	0 PLACE	± ---	± ---	MM/IN	METRIC	DRAWN BY: YHUANG11 CHECKED BY: LCHEN03 APPROVED BY: MYE08	DATE: 2015/07/21 DATE: 2015/07/21 DATE: 2015/08/14
	mm	INCH																							
4 PLACES	± ---	± ---																							
3 PLACES	± ---	± ---																							
2 PLACES	± ---	± ---																							
1 PLACE	± ---	± ---																							
0 PLACE	± ---	± ---																							
A			ANGULAR ± 2° DRAFT WHERE APPLICABLE MUST REMAIN WITHIN DIMENSIONS	SIZE C	THIS DRAWING CONTAINS INFORMATION THAT IS PROPRIETARY TO MOLEX INCORPORATED AND SHOULD NOT BE USED WITHOUT WRITTEN PERMISSION																				

MATERIALS AND FINISHES

BODY, COVER: BRASS
PLATED TRI-M

CONTACT: BRASS
PLATED SILVER

COUPLING NUT: BRASS
PLATED NICKEL

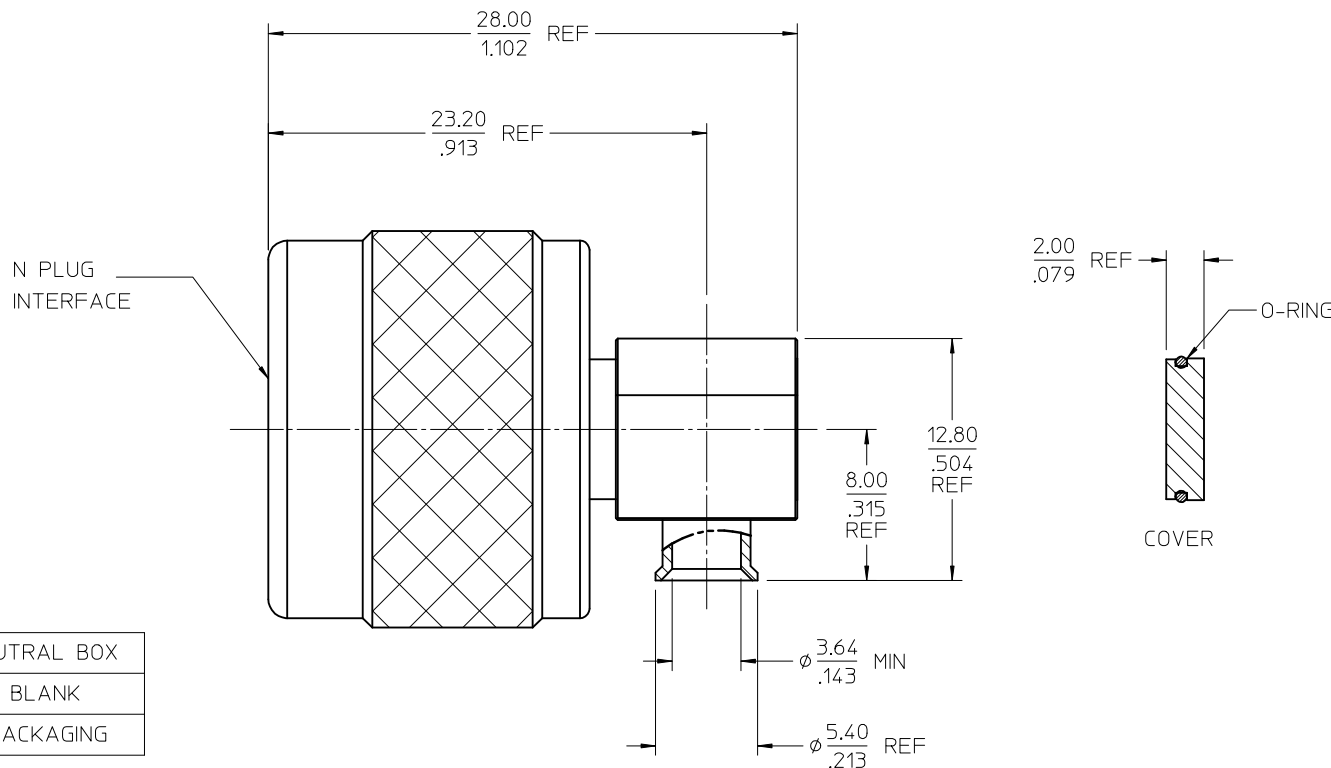
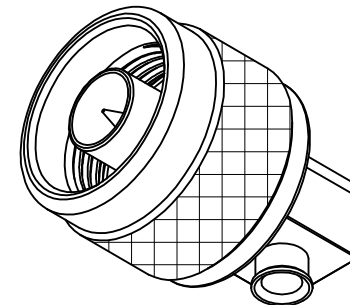
C-RING: PHOSPHOR BRONZE

INSULATOR: TEFLON

O-RING: SILICONE RUBBER

PERFORMANCE REQUIREMENTS:

FREQUENCY RANGE: 0-6000MHz
IMPEDANCE: 50 OHM
WITHSTANDING VOLTAGE(AC): 1500V @0.5mA
VSWR: ≤1.25(0-3000MHz);
WATER-PROOF: IP68 WHEN MATED

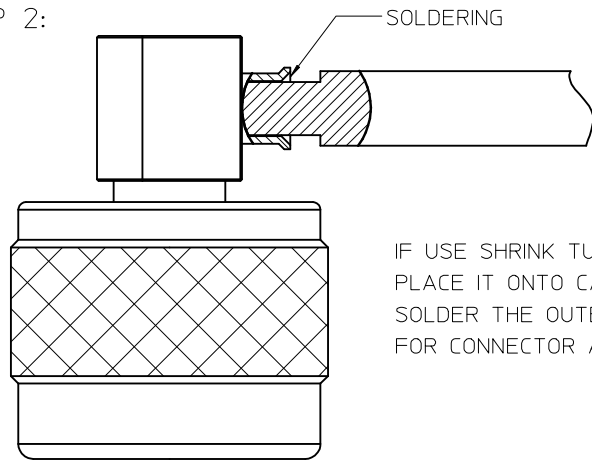


73141-4071	YES	NEUTRAL BOX
73141-4070	NO	BLANK
PART NO.	DUST CAP	PACKAGING

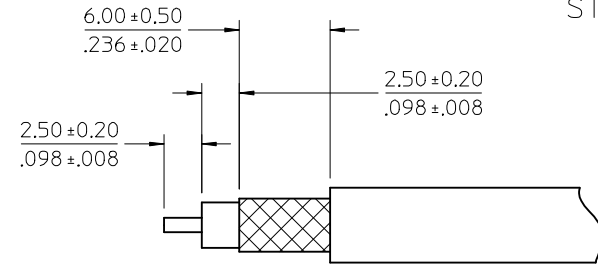
IEC60169-16	INTERFACE
SPECIFICATION	DESCRIPTION

CHG: NEW RELEASE PER PDR J1507694 EC NO: URF2016-0112 DRWN: YHUANG11 2015/07/21 CHKD: LCHEN03 2015/07/21 APPR: MYE08 2015/08/14	QUALITY SYMBOLS	GENERAL TOLERANCES (UNLESS SPECIFIED)	DIMENSION STYLE	SCALE	DESIGN UNITS	THIRD ANGLE PROJECTION	
	$\nabla = 0$ $\nabla = 0$ $\nabla = 0$	mm INCH 4 PLACES ± --- ± --- 3 PLACES ± --- ± --- 2 PLACES ± --- ± --- 1 PLACE ± --- ± --- 0 PLACE ± --- ± ---	MM/IN	DRAWN BY: YHUANG11 DATE: 2015/07/21 CHECKED BY: LCHEN03 DATE: 2015/07/21 APPROVED BY: MYE08 DATE: 2015/08/14	TITLE	N PLUG R/A, 50 OHM FOR 141 CABLE N-P-R/A	
	ANGULAR ± 2°	MATERIAL NO.	DOCUMENT NO.	SHEET NO.			
	A	REV	DRAFT WHERE APPLICABLE MUST REMAIN WITHIN DIMENSIONS	731414070	SD-73141-407	1 OF 2	
THIS DRAWING CONTAINS INFORMATION THAT IS PROPRIETARY TO MOLEX INCORPORATED AND SHOULD NOT BE USED WITHOUT WRITTEN PERMISSION							

STEP 2:



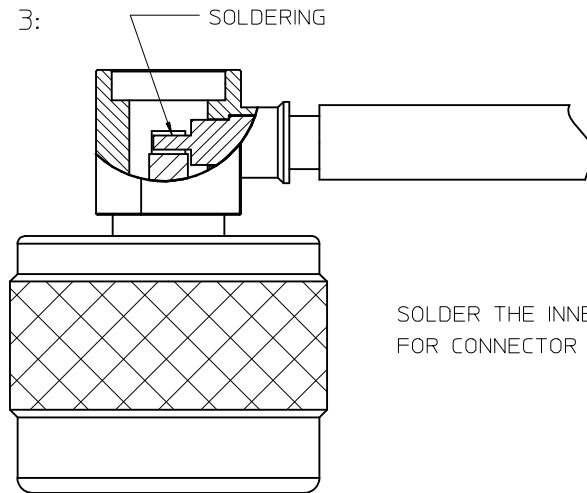
IF USE SHRINK TUBE
PLACE IT ONTO CABLE BEFORE
SOLDER THE OUTER CONDUCTOR
FOR CONNECTOR AND CABLE



141 CABLE
RECOMMENDED STRIP DIMENSION

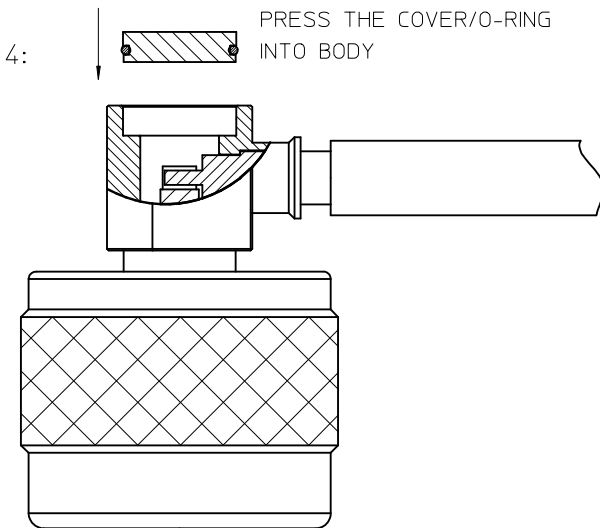
STEP 1:

STEP 3:



SOLDER THE INNER CONDUCTOR
FOR CONNECTOR AND CABLE

STEP 4:



CHG: SEE SHEET 1 EC NO: URF2016-0112 DRAWN: HUANG11 2015/07/21 CHKD: LCHEN03 2015/07/21 APPR: MYE08 2015/08/14	QUALITY SYMBOLS ▽=0 ▽=0 ▽=0	GENERAL TOLERANCES (UNLESS SPECIFIED)		DIMENSION STYLE MM/IN		SCALE	DESIGN UNITS METRIC	THIRD ANGLE PROJECTION			
		4 PLACES ± --- ± ---	3 PLACES ± --- ± ---	2 PLACES ± --- ± ---	1 PLACE ± --- ± ---	0 PLACE ± --- ± ---	DRAWN BY YHUANG11	DATE 2015/07/21	TITLE N PLUG R/A, 50 OHM FOR 141 CABLE N-P-R/A		
		ANGULAR ± 2 °					CHECKED BY LCHEN03	DATE 2015/07/21	APPROVED BY MYE08		
		DRAFT WHERE APPLICABLE MUST REMAIN WITHIN DIMENSIONS					MATERIAL NO. 731414070	DATE 2015/08/14	DOCUMENT NO. SD-73141-407	SHEET NO. 2 OF 2	