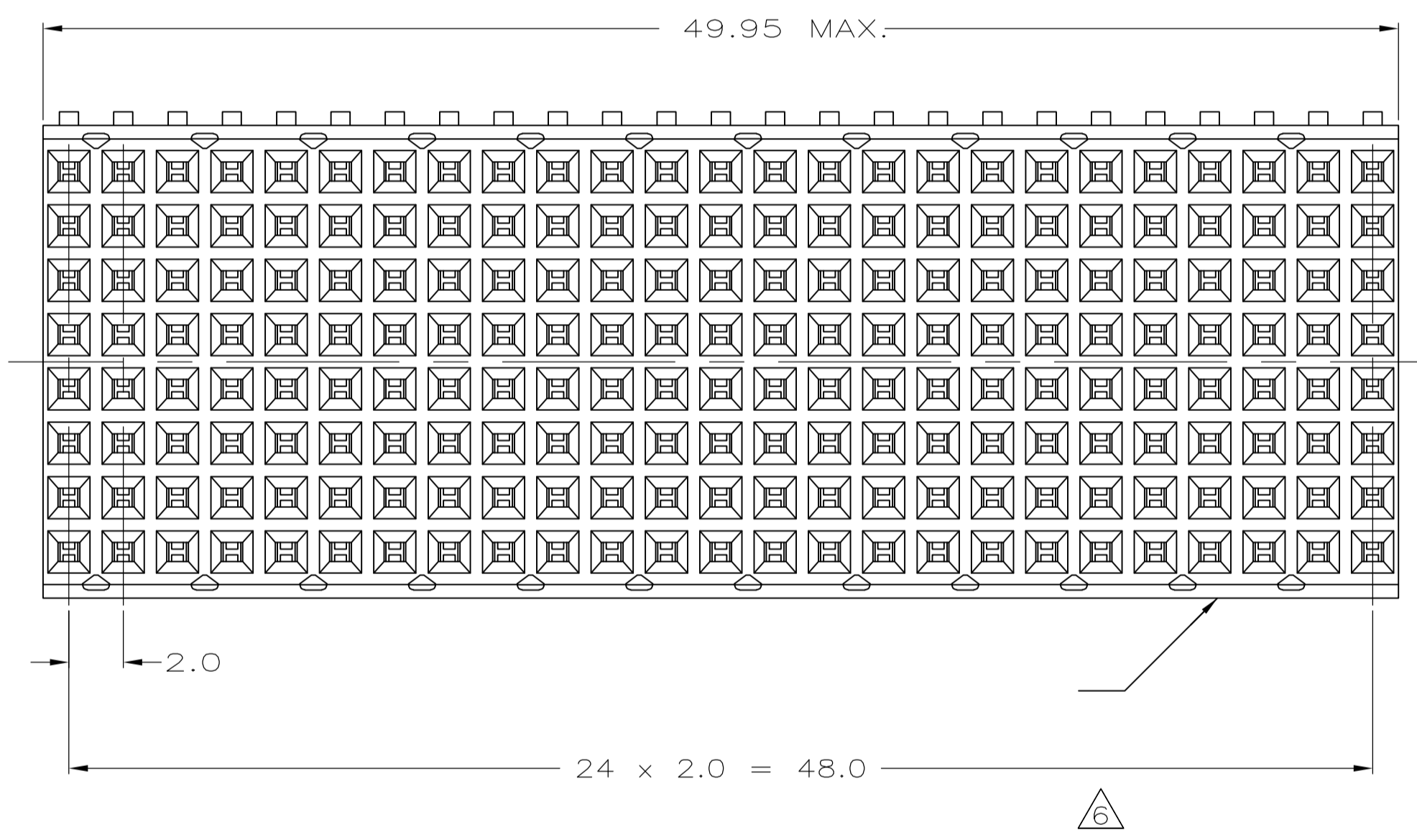
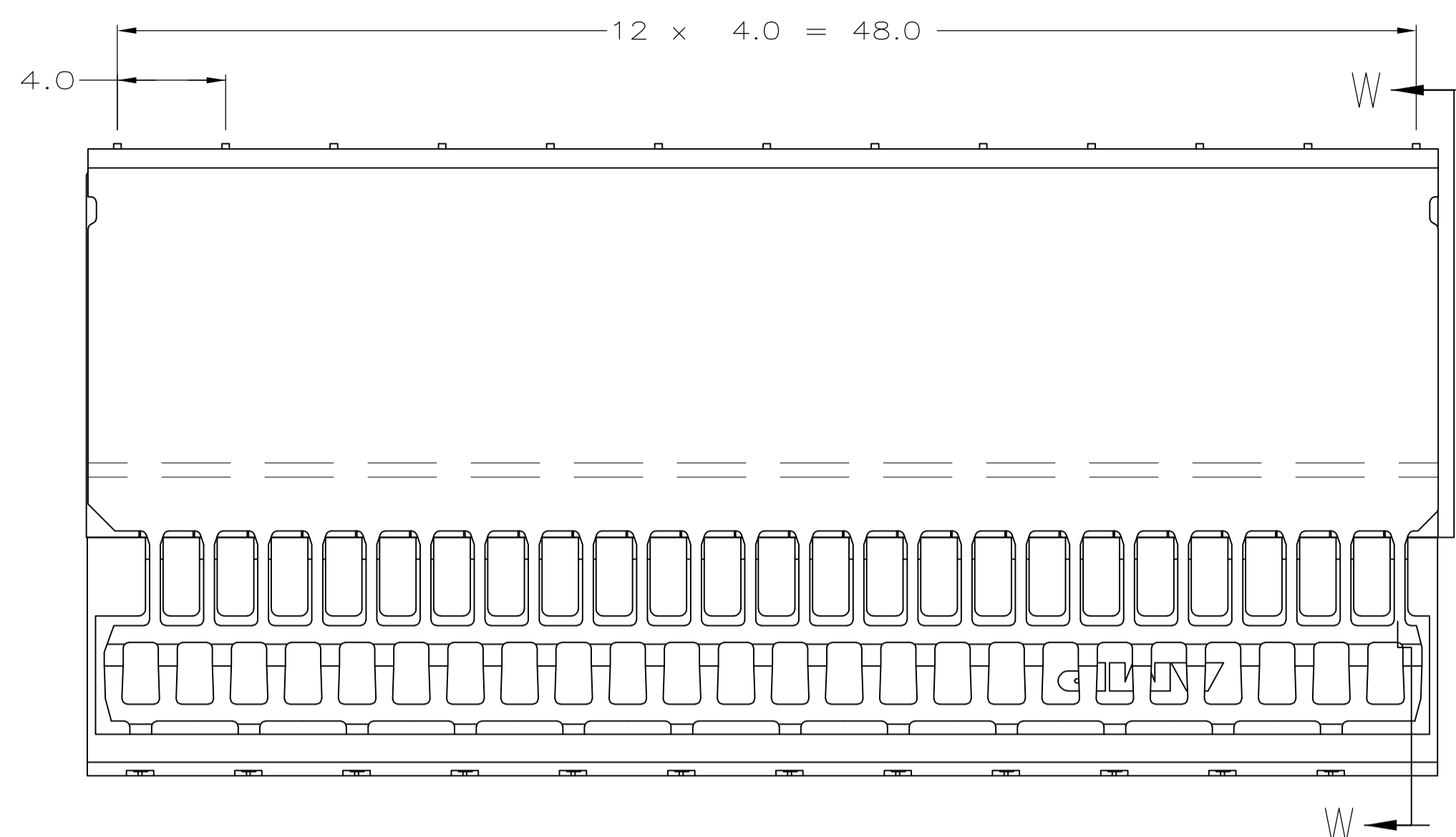
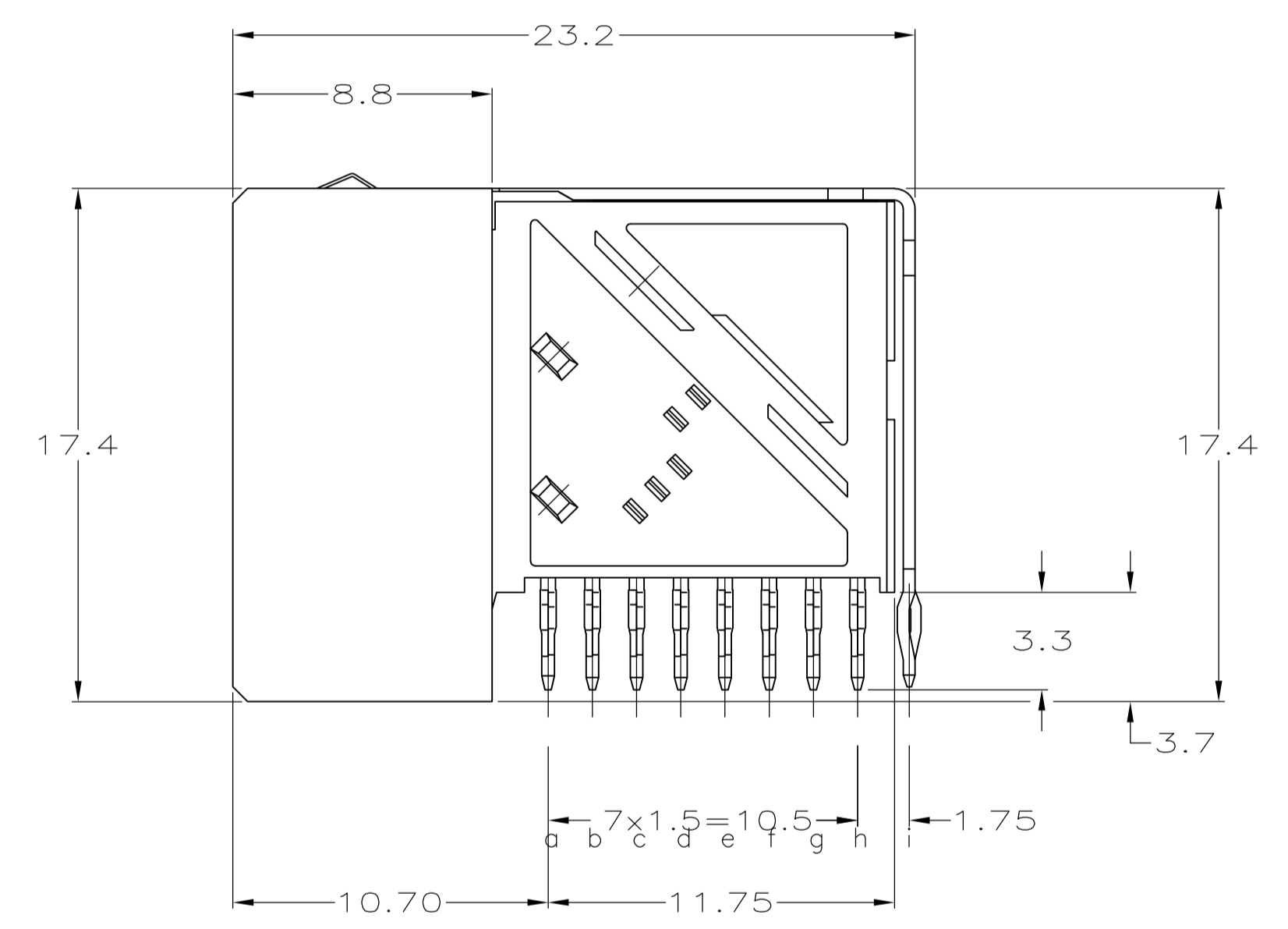
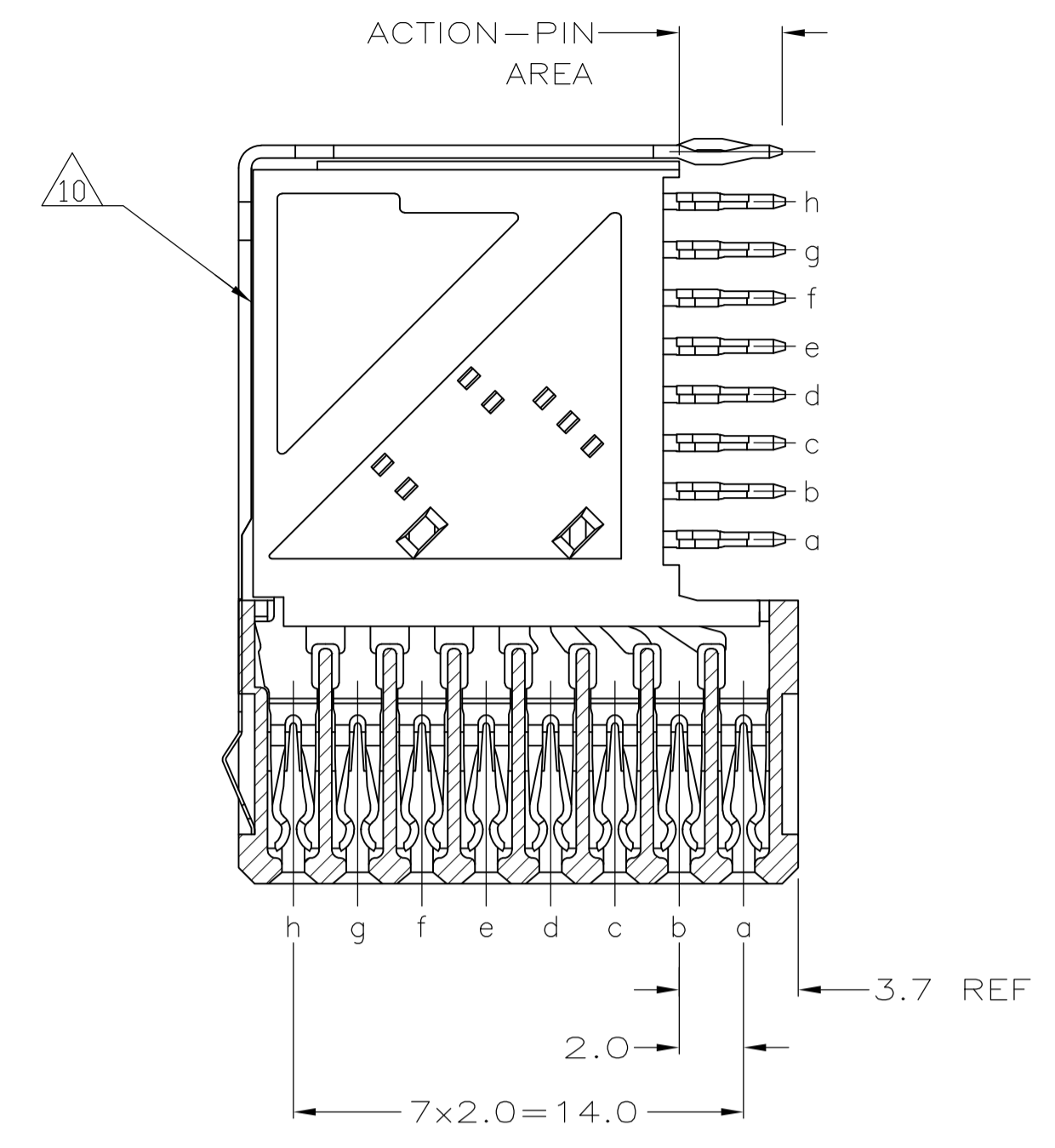


| LOC | | DIST | | REVISIONS | | | |
|-----|-----|---------------------------|-----------|-----------|------|--|--|
| P | LTR | DESCRIPTION | DATE | DMN | APVD | | |
| E | 4 | REVISED PER ECO-10-001916 | 02FEB2010 | JY | SY | | |
| F | | ECR-10-018652 | 10SEP10 | JS | MQW | | |
| G | | ECO-11-024491 | 13DEC11 | SY | MQW | | |
| H | | ECR-12-009867 | 05DEC12 | SY | AC | | |

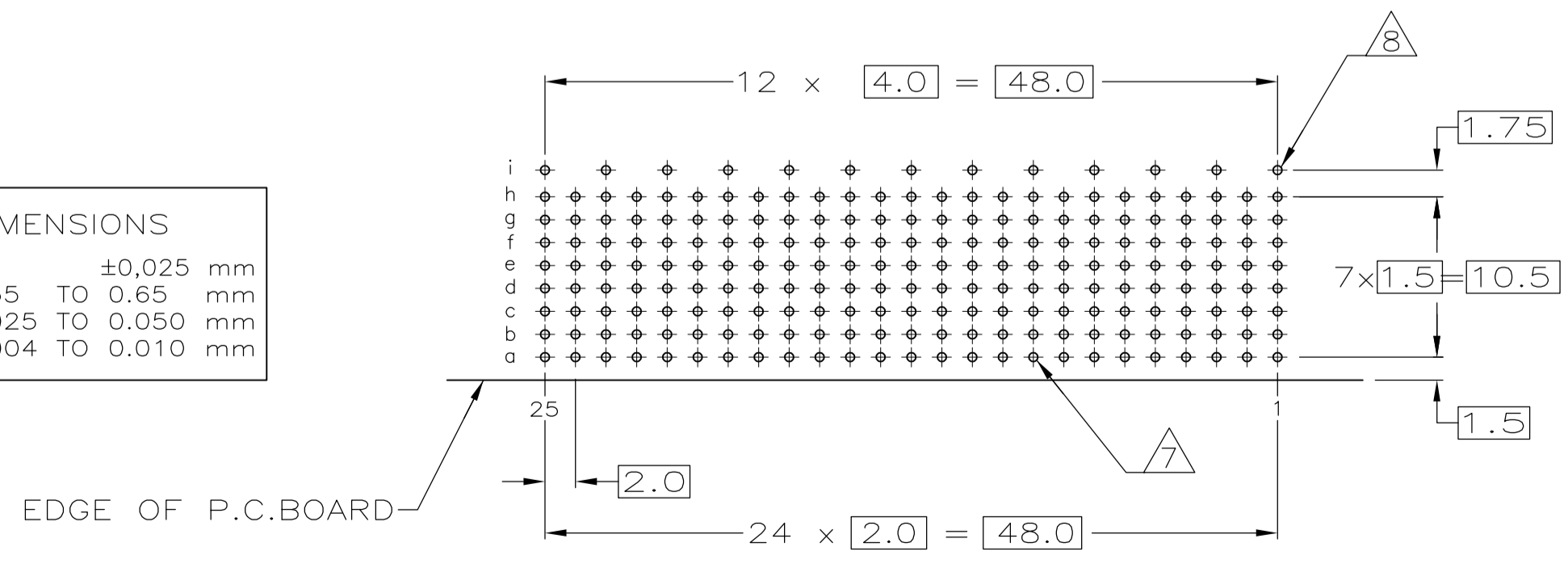


SECTION W-W



PCB HOLE DIMENSIONS

| | | |
|--------------|----------------|-----------|
| DRILLED HOLE | .7 | ±0.025 mm |
| FIN. HOLE | 0.55 TO 0.65 | mm |
| Cu-thks | 0.025 TO 0.050 | mm |
| SnPb-thks | 0.004 TO 0.010 | mm |



RECOMMENDED PCB HOLE LAYOUT
 COMPONENT SIDE
 SCALE 2.5:1

- 1 MATERIAL:
CONTACT: PHOSPHOR BRONZE.
HOUSING: GLASS-FILLED POLYESTER.
- 2 GENERAL PLATING SPECIFICATION: UNDERPLATING (ENTIRE CONTACT): 1.27µm MIN NICKEL AND ACTION PIN: 0.5µm MIN TIN/LEAD. FOR PLATING OF MATING SURFACES SEE APPLICABLE SPECIFICATION REFERENCE FOR EACH DASH NUMBER.
- 3 CONFORMS TO ALL TESTING ACCORDING TO IEC 61076-4-101 PERFORMANCE LEVEL 2.
- 4 CONFORMS TO ALL TESTING ACCORDING IEC 61076-4-101 PERFORMANCE LEVEL 1
- 5 CONNECTOR TESTED AND QUALIFIED AGAINST TELCORDIA GR-1217-CORE QUALITY LEVEL III, CENTRAL OFFICE APPLICATIONS.
- 6 CONNECTOR TESTED AND QUALIFIED AGAINST TELCORDIA GR-1217-CORE QUALITY LEVEL III, UNCONTROLLED ENVIRONMENT APPLICATIONS.
- 7 CONNECTOR MARKED WITH PART NUMBER AND DATE CODE. ADDITIONAL CHARACTERS OR MARKINGS, AS WELL AS THE LOCATION OF THE MARKINGS, MAY BE ADDED FOR TRACEABILITY BASED UPON MANUFACTURERS DISCRETION.
- 8 PLATED-THROUGH HOLES AT 2x1.5mm GRID
200 TOTAL HOLES.
- 9 ROW "i" 13 PLATED THROUGH HOLES FOR UPPERSHIELD.
- 10 CONNECTOR & SHIELD LUBRICATED WITH BELCORE APPROVED LUBRICANT, TECHNICAL REFERENCE: TR-NWT-001217 ISSUE 1, SEP 1992.

- 11 SHIELD MOUNTED ON CONNECTOR WITH DOUBLE SIDED ADHESIVE TAPE OR ADHESIVE.
- 12 OBSOLETE PARTS: OBSOLETE CIS STREAMLINING PER D.RENAUD/D.SINISI
- 13 0.76µm MIN GOLD PLATING AT MATING SURFACES.

| | FINISH | PART NUMBER |
|----|----------|-------------|
| 12 | OBSOLETE | 3-646487-0 |
| | OBSOLETE | 1-646487-9 |
| | OBSOLETE | 646487-9 |
| | OBSOLETE | 646487-4 |
| | OBSOLETE | 646487-1 |

THIS DRAWING IS A CONTROLLED DOCUMENT.

| | | | | |
|----------------|----------------------------------------|----------------------|----------------------------------------------------------------------------------|-----------------------------------------------------------|
| DIMENSIONS: mm | TOLERANCES UNLESS OTHERWISE SPECIFIED: | DIN B. CARDO 06DEC05 | 06DEC05 | Tyco Electronics Corporation Harrisburg, PA 17105-3608 |
| 0-PLC ± | 1-PLC ±0.1 | 06DEC05 | 06DEC05 | Tyco Electronics Corporation Harrisburg, PA 17105-3608 |
| 2-PLC ± | 3-PLC ± | 06DEC05 | 06DEC05 | |
| 4-PLC ± | ANGLES | NAME | R/A RECEPTACLE ASSY, 200 POSN Z-PACK 2mm HM, TYPE E W/GROUND RETURN SHIELD | RESTRICTED TO |
| MATERIAL 1 | FINISH SEE TABLE | SIZE | CODE | DRAWING NO |
| | | WEIGHT | A1 | 00779 |
| | | CUSTOMER DRAWING | SCALE | 5:1 |
| | | | SHEET | 1 of 1 |
| | | | REV | H |