



MADE IN THE USA

### Related Products (each sold separately):

- GB-001: Glove Box Dispenser - Single with Flexible Spring
- GB-002: Glove Box Dispenser - Double (shown below)
- GB-059: Glove Box Dispenser - Quad



### Product Description:

- Glove Box Dispenser - Triple
- Holds three boxes of gloves
- Two-way keyholes for vertical or horizontal wall mounting
- White Powder-Coated Steel

### Primary Area for Product Usage:

- Anywhere gloves are needed

### Dispenses:

- Box(es) no larger than 5.24"W x 10"H x 3.74"D (13.3 cm x 25.4 cm x 9.5 cm)
- Box(es) no smaller than 3.60"W x 8.50"H x 3.00"D (9.1 cm x 21.6 cm x 7.6 cm)

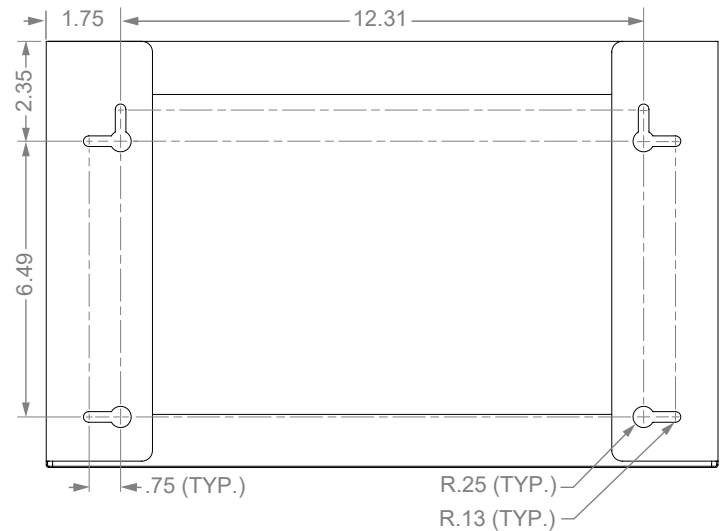
### Package Specifications:

- Package Quantity: 6 per case
- 21"W x 14"H x 10"D (53.3 cm x 35.6 cm x 25.4 cm)
- 14.0 lbs (6.4 kg) - approximated

### Product Specifications (overall external dimensions):

- 15.81"W x 10.03"H x 3.81"D (40.2 cm x 25.5 cm x 9.7 cm)
- 1.8 lbs (0.8 kg) - approximated

### Mounting Specifications:

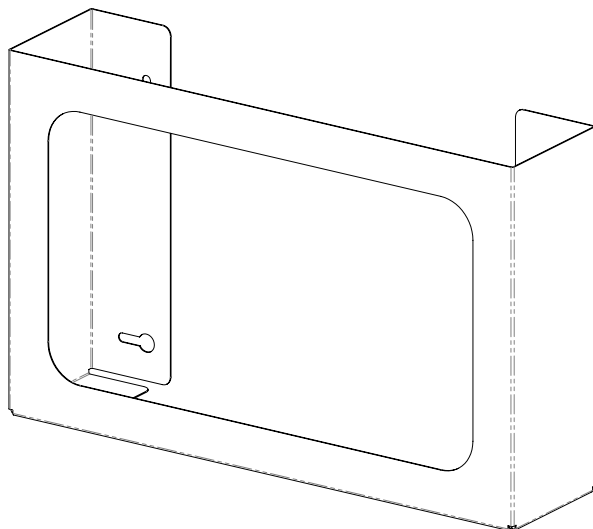




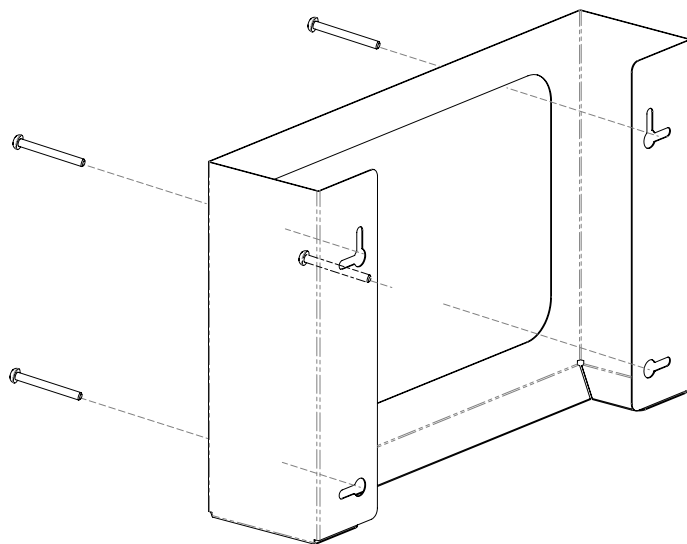
### Installation

Always mount dispensers securely *prior* to loading with product.

- Open cutout provides ample space for any box dispensing perforation.
- Keyholes will allow horizontal, left, or right loading options.



- Mount securely to a wall with screws approved and supplied by building maintenance.



#### Parts included:

- Dispenser

#### Tools Required:

- No tools required to assemble dispenser

### Care and Construction

#### Powder-Coated Steel

#### Material Characteristics

#### Designed for Long-Term, Heavy-Duty Applications

Dispensers and stands made of powder-coated steel are both attractive and functional, providing years of service. Our powder-coated steel dispensers and stands provide long-lasting products that hold up well in tough environments.

Powder-coated steel is ideal for dispensers used in a healthcare or an industrial setting. It is impact resistant and is not effected by extremes in temperature.

#### Care and Cleaning

The powder-coated finish resists common chemicals and cleaning agents and can be easily wiped clean with soap and water.