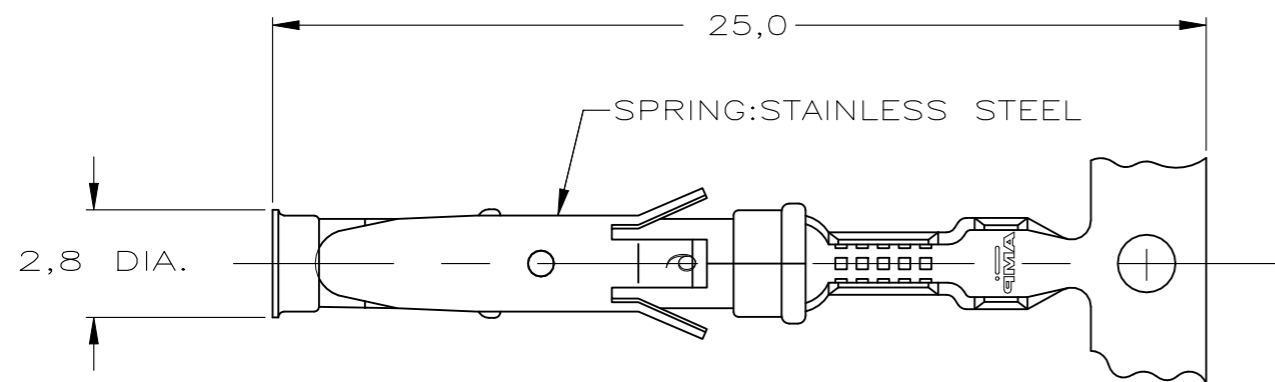
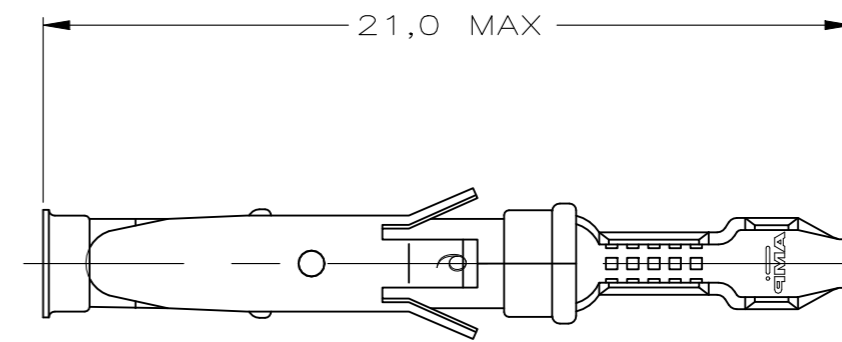


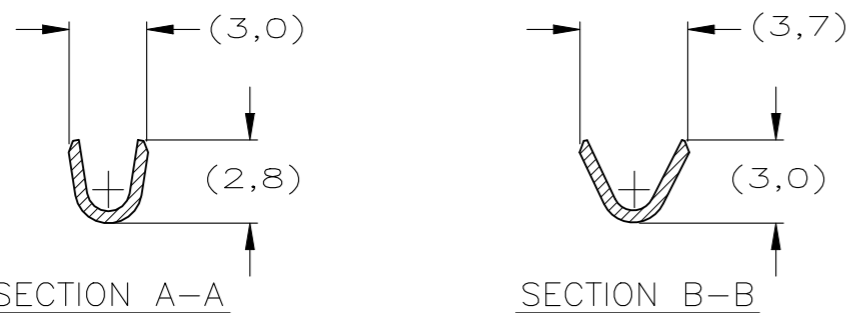
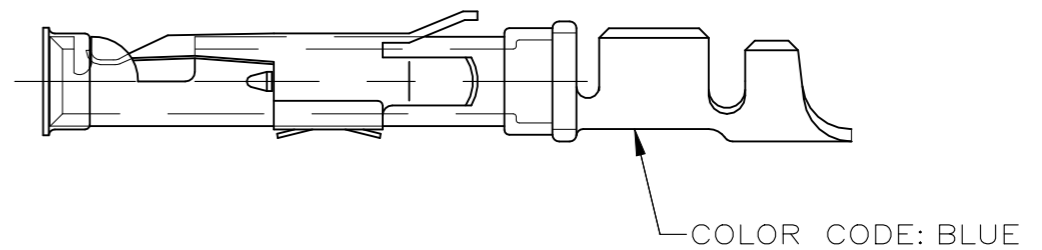
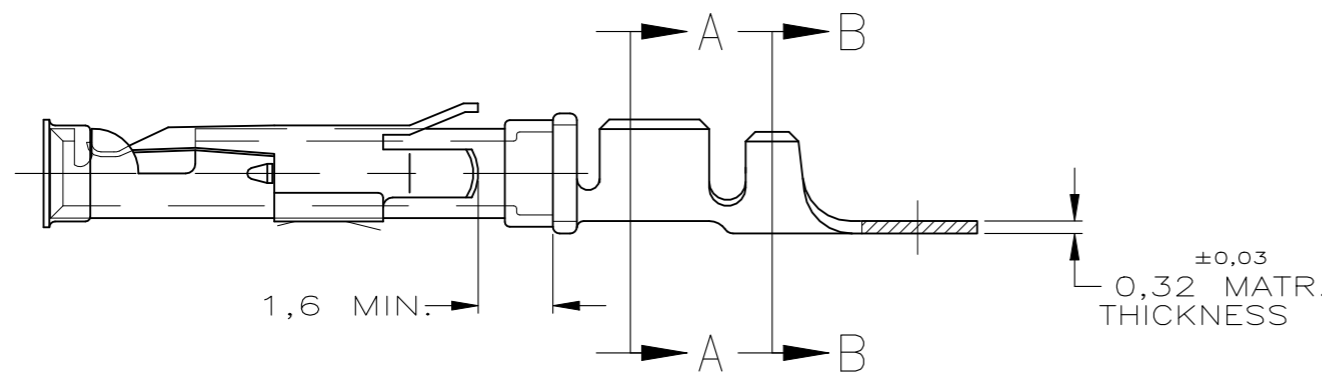
P	LTR	DESCRIPTION	DATE	DWN	APVD
	BA	ECO-21-006957	25JUN2021	RK	MZ



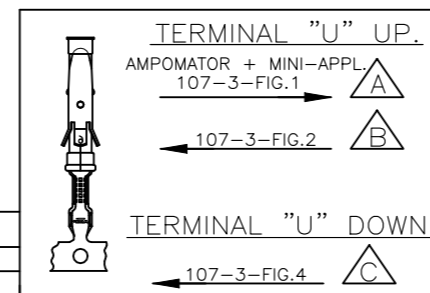
STRIP



LOOSE-PIECE



WIRE RANGE : 0,75-1,50 mm² (18-16 AWG)
 INSUL. RANGE : 2,0-2,5 mm (.080-.100)



REVISION	DESCRIPTION	DATE	MATERIAL	PLATING
△ OBSOLETE	△ 5-163083-3	△ C	1-163084-4	BRASS ECON.GOLD △21
	△ 5-163083-2	△ C		BRASS SEL.GOLD △22
	△ 5-163083-1	△ C		BRASS EL.TIN △20
	1-163083-4	△ A	1-163084-4	BRASS EL.TIN △31 △20
△ OBSOLETE	1-163083-3	△ A	1-163084-3	BRASS BR.TIN △30
	1-163083-2	△ A	163084-9	BRASS SILVER △28
	1-163083-1	△ A		BRASS ECON.GOLD △21
	1-163083-0	△ B	1-163084-0	BRASS ECON.GOLD △21
	163083-9	△ B		BRASS SILVER △28
	163083-8	△ A		BRASS EL.TIN △20
	163083-7	△ A		BRASS SEL.GOLD △22
△	163083-2	△ B	163084-2	BRASS SEL.GOLD △22
△	163083-1	△ B	163084-1	BRASS EL.TIN △20
PART NUMBER	DIRECTION OF REEL	LOOSE-PIECE	MATERIAL	PLATING

- NOTES :
- △1 UL RECOGNIZED UNDER E28476 VOL VI SEC I
 - 2 FOR CRIMP DETAILS SEE SPEC. 114-19000
 - 3 MEETS PRODUCT SPECIFICATION 108-10042
 - △4 SPECIAL REEL WITH 200PCS FOR REEL-FED HAND-TOOL
 - △5 OBSOLETE PARTS: OBSOLETE CIS STREAMLINING PER D.RENAUD/D.SINISI
 - △6 OBSOLETE
 - 7 OMISSION OF 6 CONTACTS MAX PER REEL OF 5000PCS
 - △31 LUBRICATED

NOTES	MATERIAL	THICKNESS	AREA
△20	TIN	2,0 μm	ALL OVER
△21	NICKEL GOLD TIN	.76 μm 1.01 μm	ALL OVER CONTACT AREA BARREL
△22	NICKEL GOLD TIN	1.27 μm .76 μm 1.01 μm	ALL OVER CONTACT AREA BARREL
△23	NICKEL GOLD GOLD	1,2 μm	ALL OVER CONTACT AREA ALL OVER
△27	NICKEL SILVER TIN	2,5 μm	ALL OVER CONTACT AREA BARREL
△28	SILVER NICKEL	1,5-2,5 μm 0,76 μm	ALL OVER
△29	SILVER	2,5 μm	ALL OVER
△30	NICKEL TIN	1,27 μm 1,27 μm	ALL OVER ALL OVER

THIS DRAWING IS A CONTROLLED DOCUMENT.

DIMENSIONS:	TOLERANCES UNLESS OTHERWISE SPECIFIED:
mm	0 PLC ± -
	1 PLC ± -
	2 PLC ± -
	3 PLC ± -
	4 PLC ± -
	ANGLES ± -
MATERIAL	FINISH
REFER TABLE	REFER TABLE

DWN	21JULY2015
M THAJUDEEN	
CHK	21JULY2015
GANI NIMBENNAPPA	
APVD	21JULY2015
PRASHANTH S	
PRODUCT SPEC	
108-10042	
APPLICATION SPEC	
114-19000	
WEIGHT	-
CUSTOMER DRAWING	

STE TE Connectivity			
TYPE III+, SIZE 16, SOCKET ASS'Y, 18-16 AWG, 2.0-2.5mm DIA INSULATION			
SIZE	CAGE CODE	DRAWING NO	RESTRICTED TO
A3	00779	C-163083	-
SCALE -		SHEET 1 OF 1	REV BA