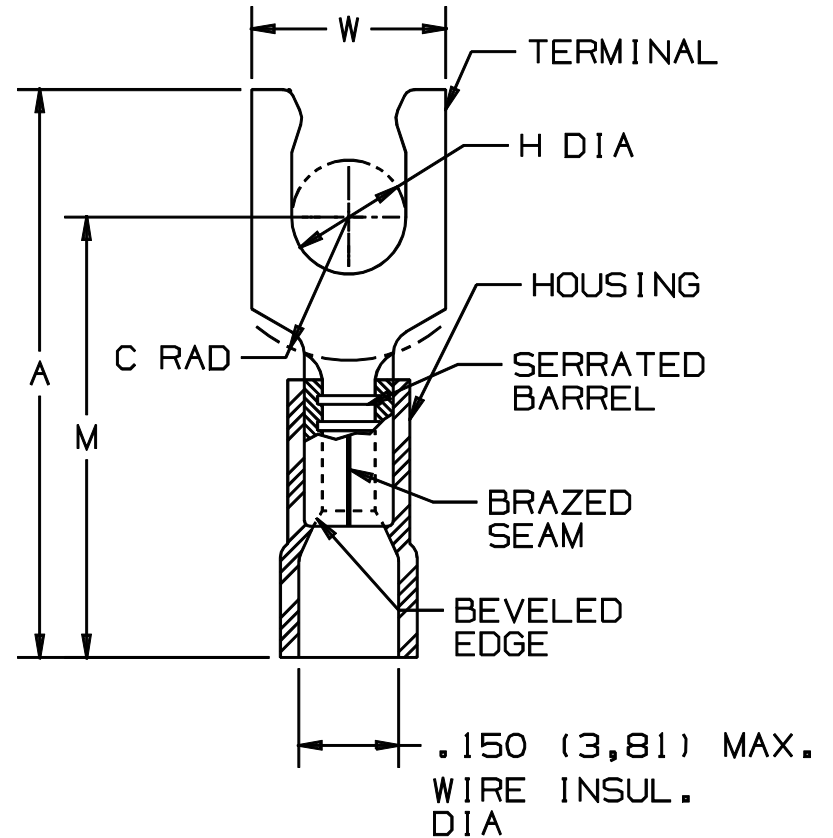


THIS COPY IS PROVIDED ON A RESTRICTED BASIS AND IS NOT TO BE USED IN ANY WAY DETRIMENTAL TO THE INTERESTS OF PANDUIT CORP.

PANDUIT PART NUMBER	STUD SIZE	DIMENSIONS in.				
		A*.03	W*.01	C*.02	M*.03	H*.01
PV18-6LF	#6	.90 (22,9)	.27 (6,9)	.22 (5,6)	.68 (17,3)	.14 (3,6)
PV18-6LFW	#6	.90 (22,9)	.29 (7,4)	.22 (5,6)	.68 (17,3)	.14 (3,6)
PV18-8LF	#8	.97 (24,6)	.29 (7,4)	.25 (6,4)	.73 (18,5)	.16 (4,1)
PV18-10LF	#10	.97 (24,6)	.33 (8,4)	.25 (6,4)	.73 (18,5)	.19 (4,8)
PV18-10LFN*	#10	.97 (24,6)	.29 (7,4)	.25 (6,4)	.73 (18,5)	.19 (4,8)

NOTES:

- USED FOR:
 - 600 MAX. VOLTAGE RATING (1000V. MAX. IN SIGNS, FIXTURES & LUMINARIES)
 - #22-18 AWG STRANDED COPPER WIRE RANGE, WITH CT-100, CT-1550, CT-1551 INSTALLATION TOOLS.
 - 221°F (105°C) MAX TEMP RATING OF INSULATION MATERIAL. 167°F (75°C) MAX TEMP RATING WITH CT-100 INSTALLATION TOOL
- WIRE STRIP LENGTH : 5/16 ^{+1/32} ₋₀ (7,9 ^{+0,8} ₋₀)
- PACKAGE QUANTITY (SUFFIX TO BASIC PART NO.):
 - STANDARD -C=100
 - BULK -M=1000
- MATERIAL:
 - STAMPING: .032 (.81) THICK TIN PLATED COPPER
 - HOUSING; RED VINYL
- DIMENSIONS IN BRACKETS ARE IN MILLIMETERS.



LISTED
587H
E52164



CERTIFIED
LR31212

* PV18-10LFN IS NOT UL LISTED OR CSA CERTIFIED.

A41288_10

10	1/01	RM		FILESPEC WAS N41288_09_PCD					TINLEY PARK, ILLINOIS
9	10/00	EJS		REMOVED CT-500, CT-550, ADDED CT-1550, CT-1551 TO NOTE 1-B. MAX. WIRE INSULATION, UPDATED NOTE 1-A TO (1000V. MAX. IN SIGNS, FIXTURES & LUMINARIES)	08802				
8	6/95	MS	RLS	DIAMETER WAS .150, REMOVED PART PV18-10LFN, ADDED PART PV18-10LFN TO TABLE, ADDED (67°F (75°C) MAX TEMP RATING WITH CT-100 INSTALLATION TOOL	03388	LA	KRS	#22-18 BARREL FUNNELED VINYL INSULATED LOCKING FORK, .150 (3,81) MAX. WIRE INSULATION DIAMETER	
REV	DATE	BY	CHK	DESCRIPTION	ECN #	CUST	PM	DRAWN BY MS Ck'D LA SCALE NONE DRAWING NO. A41288	