

NOTES:

1. MATERIALS AND FINISHES: (PLATING THICKNESS IN MICRO-INCHES)  
 OUTER CONTACT- PHOSPHOR BRONZE, NICKEL PLATING (.0001" THICK)  
 FRONT BODY - ZINC DIECAST, NICKEL PLATING (.00015" THICK)  
 CRIMP CONTACT - BRASS, GOLD PLATING (.00005" THICK)  
 INSULATOR - PTFE

2. ELECTRICAL:  
 A. IMPEDANCE: 75 OHM  
 B. FREQUENCY RANGE: DC - 3 GHz  
 C. VSWR(RETURN LOSS): 1.10 UP TO 2 GHz(-26.44 dB), 1.16 UP TO 3 GHz(-22.61 dB)  
 D. DIELECTRIC WITHSTANDING VOLTAGE: 1500 VRMS, MIN.  
 E. WORKING VOLTAGE: 500 VAC PEAK

3. MECHANICAL:  
 A. DURABILITY: 500 CYCLES MIN.  
 B. TEMPERATURE RANGE: -40° C TO +85° C

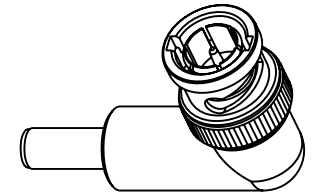
4. PACKAGING:  
 A. QUANTITY: SINGLE PACK  
 B. MARKING: BAG TO BE MARKED  
 "AMPHENOL, PN:7, AND DATE CODE"

5. FERRULE TO BE CRIMPED WITH A .178" HEX DIE.  
 CONTACT TO BE CRIMPED WITH A .042" SQUARE DIE  
 OR A 8 POINT CRIMPER AMPHENOL NUMBER 227-TI200

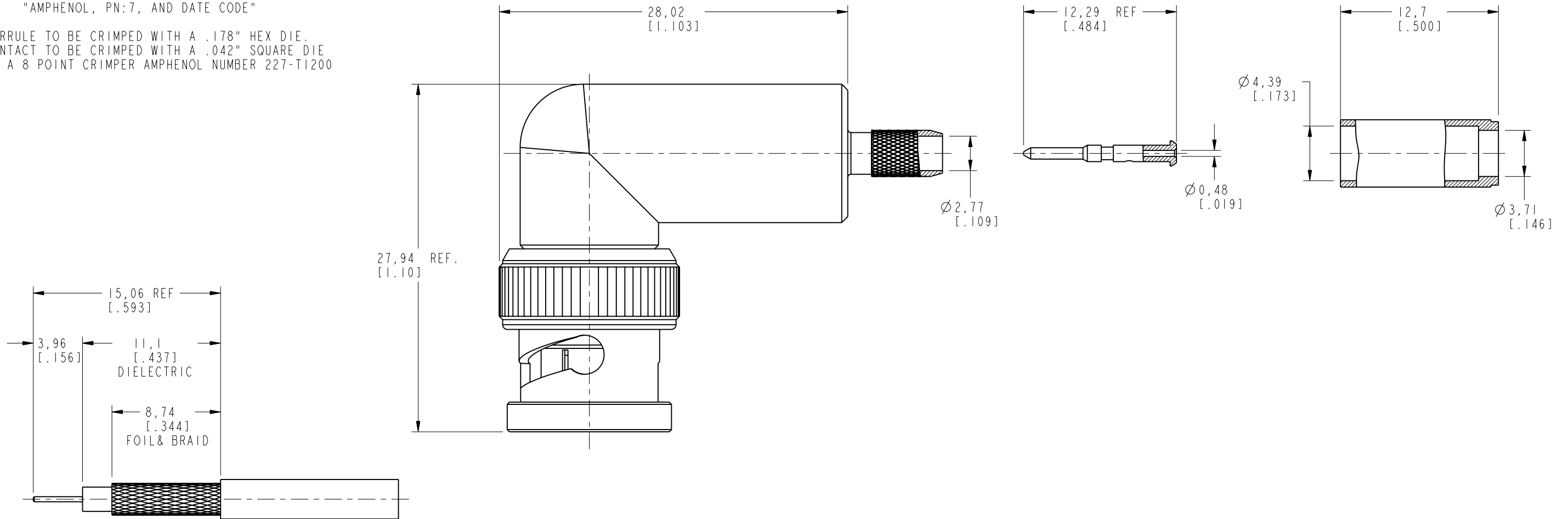
THIRD ANGLE PROJ.

REVISIONS

REV	DESCRIPTION	DATE	ECO	APPR
A	RELEASE TO MFG.	8/17/06	46206	GSA
B	NOTE 5 '8 PT CRIMPER AMPHENOL NUMBER CTL-TI200'	8/6/07	46681	TC
C	REMOVE STAMPING & REF TO 349- SPEC NOTE 5 RD-DM11041802R3	27-Apr-11	48502	SCOTT
D	227-TI200 WAS CTL-TI200\RD-DM110704011	15-Jul-11	48649	SCOTT



SCALE 1.000



RECOMMENDED CABLE STRIPPING DIMENSIONS

SCALE 3.000

**CUSTOMER OUTLINE DRAWING**  
 ALL OTHER SHEETS ARE FOR INTERNAL USE ONLY

UNLESS OTHERWISE SPECIFIED, DIMENSIONS ARE IN METRIC AND TOLERANCES ARE: <0.5mm ±0.05mm    0.5 - 6mm ±0.1mm    6 - 30mm ±0.2mm    30 - 120mm ±0.3mm    ANGLES ±1°	MATERIAL	DRAWN	DATE	TITLE	Amphenol RF Danbury CT USA, Tainan, Taiwan, Shenzhen, China www.amphenolrf.com
	SEE NOTE	I.XU	13-Jul-11		
NOTICE - These drawings, specifications, or other data (1) are, and remain the property of Amphenol corp. (2) must be returned upon request; and (3) are confidential and not to be disclosed to any person other than those to whom they are given by Amphenol Corp. the finishing of these drawings, specifications, or other data by Amphenol Corp., or to any other person to anyone for any purpose is not to be regarded by implication or otherwise in any manner licensing, granting rights to permitting such holder or any other person to manufacture, use or sell any product, process or design, patented or otherwise, that may in any way be related to or disclosed by said drawings, specifications, or other data.	REFERENCE	ENGINEER	DATE	SCALE: 3.0:1.0	DRAWING NO. 31-80901
		G.ANTONINI	29-Mar-05	SHEET 2 OF 2	
	FINISH	APPROVED	DATE		DWG SIZE
	S.HSIEH	15-Jul-11		B	D
					ITEM NO. 31-80901
					PART NO. 31-80901