

番号 NO.	名称 NAME	材料 MATERIAL	仕上げ (めっき) FINISHES (PLATING)
①	ハウジング HOUSING	液晶ポリマー(LCP)、ガラス充填、UL94 V-0、黒 LIQUID CRYSTAL POLYMER (LCP), GLASS FILLED, UL94 V-0, BLACK	
②	スライダー SLIDER	ステンレス鋼 STAINLESS STEEL	
③	ターミナル TERMINAL	焼青銅 PHOSPHOR BRONZE	接触部: 金めっき(0.5μmMIN.) 基板実装部: 金めっき 下地: ニッケルめっき(1.0μmMIN.) CONTACT AREA: GOLD PLATING (0.5 MICROMETER MINIMUM) SOLDER TAIL AREA: GOLD PLATING UNDERPLATE: NICKEL OVERALL (1.0 MICROMETER MINIMUM)
④	シェル SHELL	銅合金 COPPER ALLOY	
⑤	スプリング SPRING	ピアノ線 SWP	全面: ニッケルめっき NICKEL OVERALL
⑥	ピン PIN	ステンレス鋼 STAINLESS STEEL	
⑦	ディテクトレバー DETECT LEVER	焼青銅 PHOSPHOR BRONZE	接触部: 金めっき(0.2μmMIN.) 基板実装部: 金めっき 下地: ニッケルめっき(1.0μmMIN.) CONTACT AREA: GOLD PLATING (0.2 MICROMETER MINIMUM) SOLDER TAIL AREA: GOLD PLATING UNDERPLATE: NICKEL OVERALL (1.0 MICROMETER MINIMUM)
⑧	ディテクトスイッチ DETECT SWITCH	焼青銅 PHOSPHOR BRONZE	接触部: 金めっき(0.2μmMIN.) 基板実装部: 金めっき 下地: ニッケルめっき(1.0μmMIN.) CONTACT AREA: GOLD PLATING (0.2 MICROMETER MINIMUM) SOLDER TAIL AREA: GOLD PLATING UNDERPLATE: NICKEL OVERALL (1.0 MICROMETER MINIMUM)

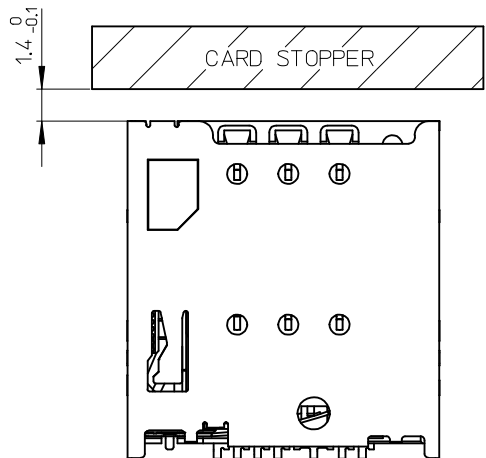
NOTES

- ターミナル及びネイルの平坦度は 0.08 MAX. (測定用定板面を基準)  
TERMINAL AND NAIL COPLANARITY TO BE 0.08 MAX.(FROM GAUGE PLANE)
  - △ スタンドオフ寸法  
STAND OFF DIMENSION  
本寸法はコネクタ全高に含まれます。  
STAND OFF DIMENSION IS INCLUDED IN THE CONNECTOR TOTAL HEIGHT.
  - パターン禁止エリア PATTERN PROHIBITION AREA
  - カード検知スイッチ DETECT SWITCH
- |                                |            |
|--------------------------------|------------|
| カード挿入時 CARD INSERTING POSITION | オープン OPEN  |
| カード未挿入時 NO CARD                | クローズ CLOSE |
- 肉抜き位置は任意とする。CAVITY IS TO BE OPTIONAL.
  - ロット印字は任意とする。LOT NUMBERING IS TO BE OPTIONAL.
  - ELV及びRoHS 適合品 ELV AND RoHS COMPLIANT.
  - 括弧寸法は、参考値となります。(Dimension) : REFERENCE VALUE

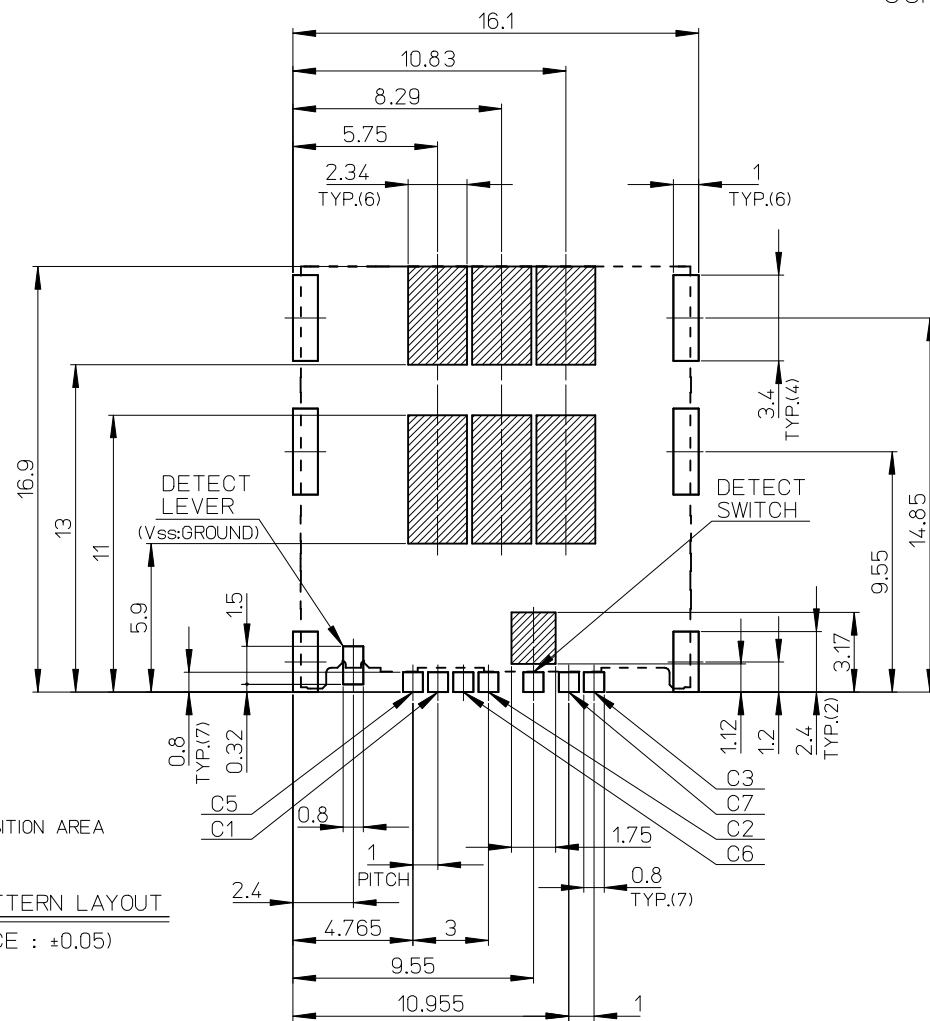
503960-0694	6
EMBOSSED PACKAGE	極数
オーダー番号 ORDER NO.	CIRCUITS

CONNECTOR SERIES No. 503960-\*\*\*\*

RELEASED EC NO: J2013-0351 DRWN: MTAKASAKI 2012/09/10 CHKD: MTOMITA 2012/09/10 APPR: YOITO 2012/09/20	GENERAL TOLERANCES (UNLESS SPECIFIED)		DIMENSION STYLE	SCALE	DESIGN UNITS	THIRD ANGLE PROJECTION
			MM ONLY	1:1	METRIC	
	10 UNDER	±0.2	DRAWN BY	DATE	TITLE	
	10 OVER 30 UNDER	±0.25	MTAKASAKI	2012/09/10	MICRO SIM CARD CONN. PUSH/PUSH NORMAL TYPE ASS'Y	
30 OVER	±0.3	CHECKED BY	DATE	molex		
		MTOMITA	2012/09/10	SD-503960-005		
		APPROVED BY	DATE	SHEET NO.		
		YOITO	2012/09/20	1 OF 2		
	ANGULAR ±1 °	MATERIAL NO.	SEE CHART	DOCUMENT NO.		
	DRAFT WHERE APPLICABLE MUST REMAIN WITHIN DIMENSIONS	SIZE	A3	THIS DRAWING CONTAINS INFORMATION THAT IS PROPRIETARY TO MOLEX INCORPORATED AND SHOULD NOT BE USED WITHOUT WRITTEN PERMISSION		



RECOMMENDED CARD STOPPER POSITION



パターン禁止エリア  
PATTERN PROHIBITION AREA

RECOMMENDED PCB PATTERN LAYOUT  
(GENERAL TOLERANCE : ±0.05)

SEE SHEET 1 OF 2 EC NO: J2013-0351 DRWN: MTAKASAKI 2012/09/10 CHKD: MTOMITA 2012/09/10 APPR: YO ITO 2012/09/20	GENERAL TOLERANCES (UNLESS SPECIFIED)		DIMENSION STYLE MM ONLY		SCALE 1:1	DESIGN UNITS METRIC	THIRD ANGLE PROJECTION
	10 UNDER	±0.2	DRAWN BY MTAKASAKI	DATE 2012/09/10	TITLE MICRO SIM CARD CONN. PUSH/PUSH NORMAL TYPE ASS'Y		
	10 OVER 30 UNDER	±0.25	CHECKED BY MTOMITA	DATE 2012/09/10			
	30 OVER	±0.3	APPROVED BY YO ITO	DATE 2012/09/20	<b>molex</b> MATERIAL NO. SEE SHEET 1 OF 2 DOCUMENT NO. SD-503960-005 SHEET NO. 2 OF 2		
ANGULAR ±1 °		SIZE A3		THIS DRAWING CONTAINS INFORMATION THAT IS PROPRIETARY TO MOLEX INCORPORATED AND SHOULD NOT BE USED WITHOUT WRITTEN PERMISSION			
DRAFT WHERE APPLICABLE MUST REMAIN WITHIN DIMENSIONS							