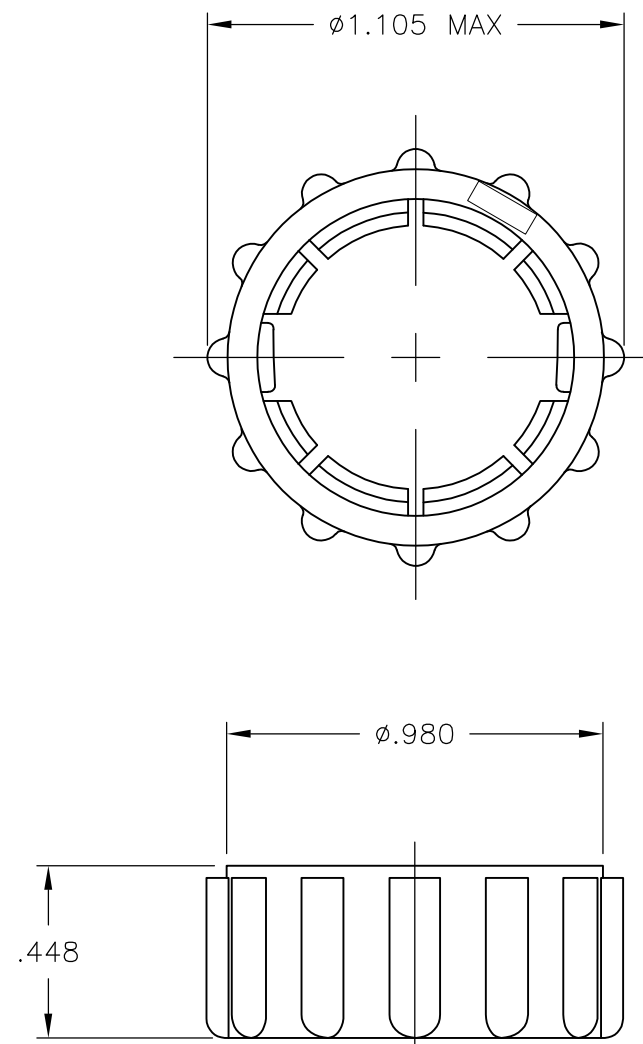

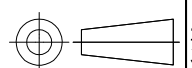


THIS DRAWING IS UNPUBLISHED. RELEASED FOR PUBLICATION
 © COPYRIGHT - By - ALL RIGHTS RESERVED.

REVISIONS					
P	LTR	DESCRIPTION	DATE	DWN	APVD
	C	REVISED PER 0G3B-0124-02	8/4/03	SS	SH
	D	REVISED PER ECO-16-018358	09MAR2017	RS	MZ



OBSOLETE	PULL FREE	213813-2
	-	213813-1
	NOTES	PART NUMBER

THIS DRAWING IS A CONTROLLED DOCUMENT.		DWN D.HARDY 06/20/95	 TE Connectivity NAME COUPLING RING, SIZE 13, CPC				
DIMENSIONS: INCHES		CHK R.STONE 06/21/95					
		APVD R.BYERS 06/21/95					
TOLERANCES UNLESS OTHERWISE SPECIFIED:		PRODUCT SPEC					
0 PLC ± - 1 PLC ± - 2 PLC ± - 3 PLC ± .010 4 PLC ± - ANGLES ± -		APPLICATION SPEC	SIZE	CAGE CODE	DRAWING NO	RESTRICTED TO	
MATERIAL NYLON, BLACK		FINISH -	WEIGHT -	A3	00779	C-213813	-
CUSTOMER DRAWING			SCALE 2:1	SHEET 1 OF 1	REV D		