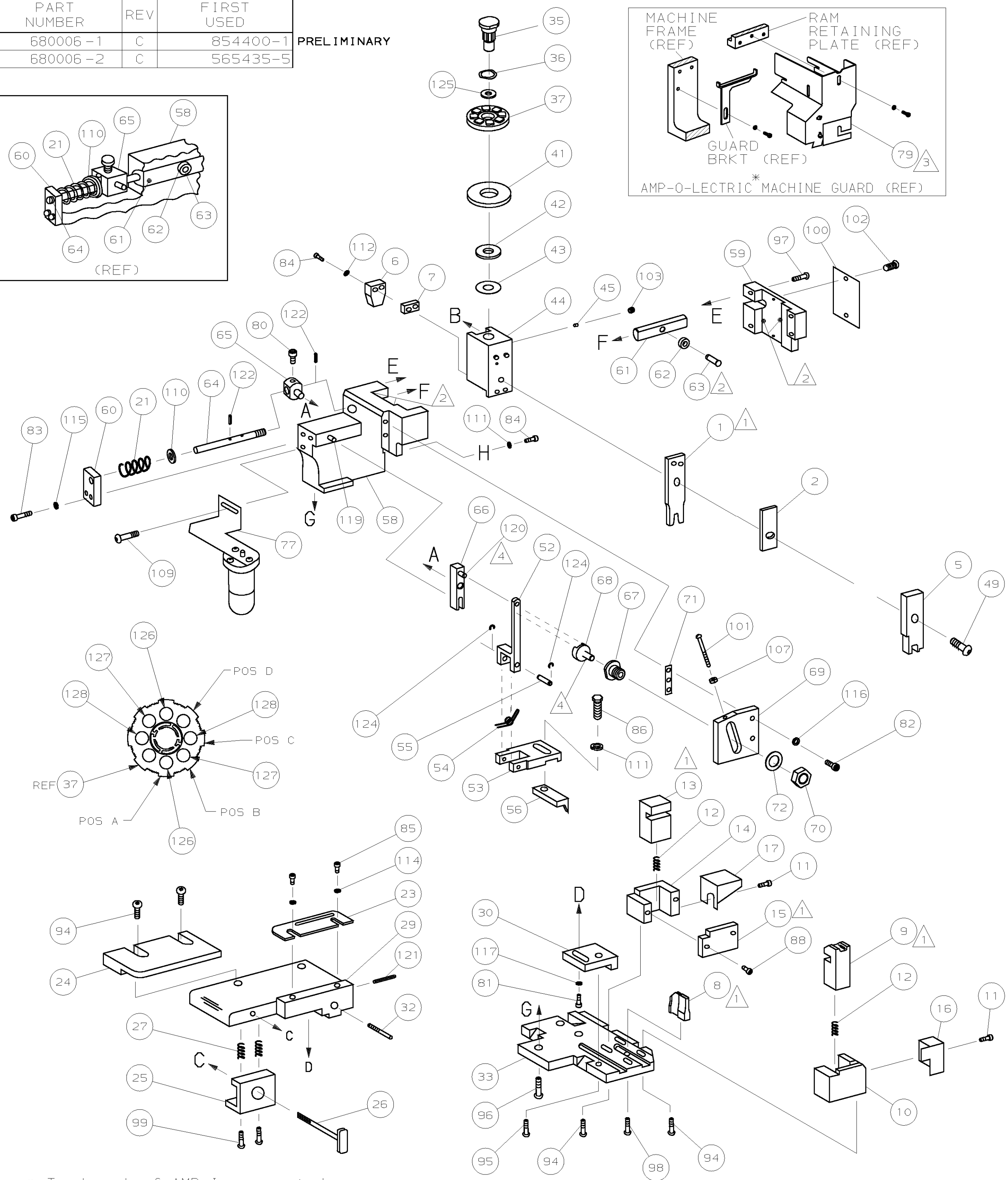
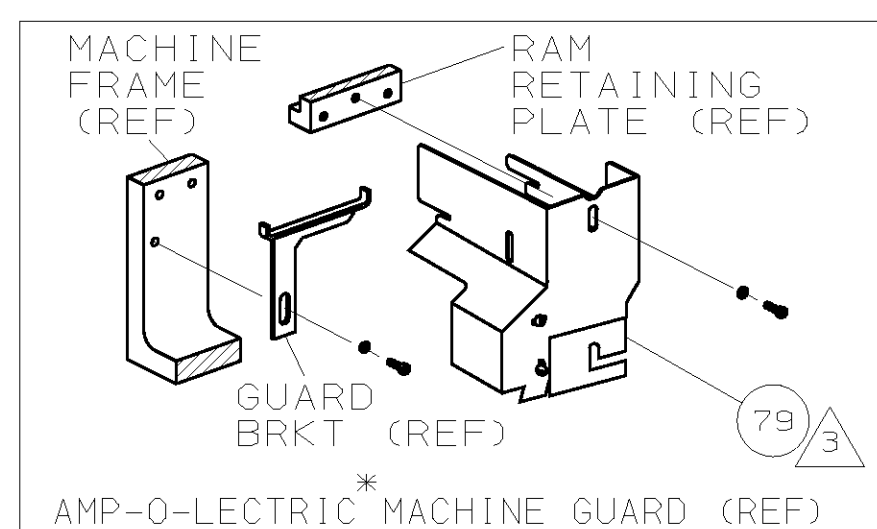
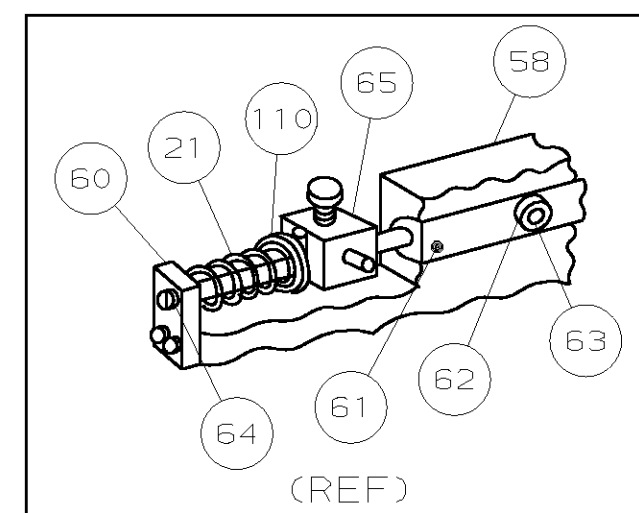


PART NUMBER	REV	FIRST USED
680006-1	C	854400-1
680006-2	C	565435-5

PRELIMINARY



TERMINAL NAME:  
RECEPT, PLUG, .180 DIA

REVISION	DATE	DESCRIPTION
1		42865

CRIMPING DATA

PAD LTR	CRIMP HEIGHT	WIRE SIZE
A	.092 ±.002	3.0mm <sup>2</sup>
B	.087 ±.002	2.5mm <sup>2</sup>
C	.082 ±.002	2.0mm <sup>2</sup>
D	NOT USED	

CRIMP	SIZE	TYPE	RANGE
WIRE	.130	F	2.0-3.0mm <sup>2</sup>
INSUL	-	-	-

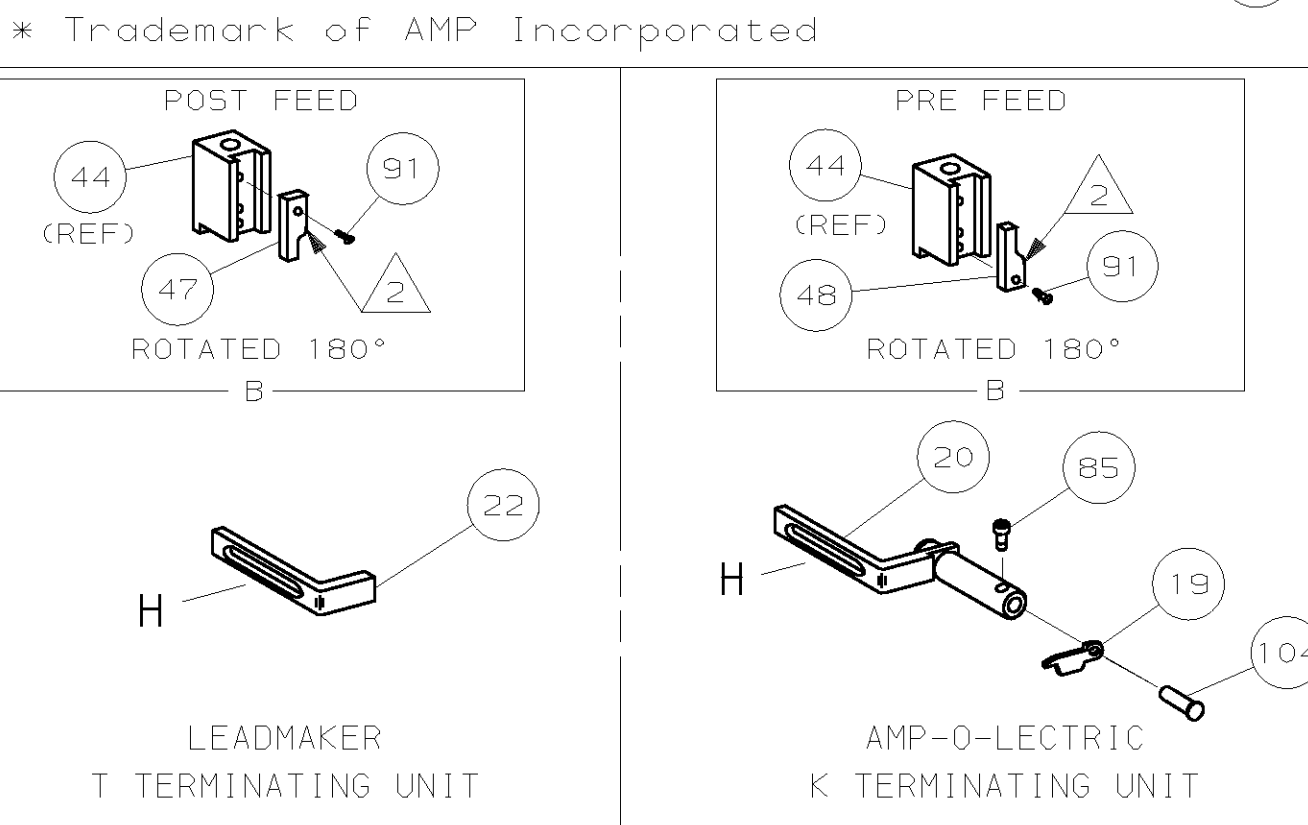
  

FEED	APPL INST	SET UP GAGE	LAYOUT
.626	408-8040	458637-1	142

WIRE STRIP LENGTH -

QTY	REF	U/M	DWG SIZE	PART NO	DESCRIPTION	ITEM NO
-1					LEADMAKER	
-2					AMP-0-ELECTRIC	
REF	REF	-	B	22594-8	NUT, HEX (1/2-20)	70
REF	REF	-	B	240628-1	PLATE, ADJUSTMENT	69
REF	REF	-	B	240626-1	SHAFT, PIVOT	68
REF	REF	-	B	240633-1	BUSHING	67
REF	REF	-	A	455680-1	LEVER, INTERMEDIATE	66
REF	REF	-	B	240629-1	BLOCK, PIVOT	65
REF	REF	-	A	240632-2	SCREW, ADJ FEED ROD	64
REF	REF	-	B	240659-3	PIN, CAM ROLLER	63
REF	REF	-	B	240658-1	ROLLER, CAM	62
REF	REF	-	B	454398-2	ROD, FEED	61
REF	REF	-	A	454178-1	GUIDE, FEED ROD	60
REF	REF	-	C	454220-1	CAP, RAM	59
REF	REF	-	D	454485-1	HOUSING	58
						57
1	1	-	B	458537-2	PAWL, FEED	56
REF	REF	-	B	240624-1	PIN, FEED FINGER	55
REF	REF	-	B	691499-1	SPRING, FEED FINGER	54
REF	REF	-	B	690541-1	HOLDER, FEED FINGER	53
REF	REF	-	A	455679-1	LEVER, TERMINAL FEED ARM	52
						51
						50
1	1	-	A	7-21002-9	BOLT, CRIMPER (5/16x1.00)	49
1	-	-	B	576179-4	CAM, PRE-FEED	48
-	1	-	B	576179-3	CAM, POST-FEED	47
1	1	-	D	459456-1	APPLICATOR, BASIC (SUBASSY)	46
1	1	-	A	690191-1	PLUG, NYLON	45
1	1	-	C	455673-1	RAM	44
1	1	-	A	690125-1	WASHER, LAMINATED	43
1	1	-	A	690124-1	WASHER, RAM	42
1	1	-	A	690223-2	SPACER, INSULATION DISC	41
						40
						39
						38
1	1	-	D	354777-1	WIRE DISC, PLASTIC	37
1	1	-	A	22480-5	WASHER, SPRING	36
1	1	-	B	690212-1	POST, RAM	35
						34
REF	REF	-	D	455675-1	PLATE, BASE	33
1	1	-	A	690432-3	SCREW, ADJUSTMENT	32
						31
REF	REF	-	B	455689-1	BLOCK, STRIP GUIDE ADJ	30
1	1	-	C	455671-1	PLATE, STRIP GUIDE	29
						28
2	2	-	A	1-22284-0	SPRING, DRAG	27
1	1	-	B	690546-1	LEVER, DRAG RELEASE	26
1	1	-	B	240792-5	DRAG, TERMINAL	25
1	1	-	D	2-690504-8	GUIDE, STRIP (REAR)	24
1	1	-	A	693855-1	GUIDE, STRIP (FRONT)	23
-	1	-	B	690472-1	STRIPPER	22
REF	REF	-	A	4-22284-9	SPRING, FEED RETURN	21
1	-	-	A	679218-1	STRIPPER WIRE STOP ASSY	20
1	-	-	B	458949-1	STRIPPER	19
1	1	-	B	690461-1	HOLDER, TERMINAL	18
1	1	-	A	691668-1	GUARD, CHIP (REAR)	17
1	1	-	B	691667-1	GUARD, CHIP (FRONT)	16
1	1	-	B	690691-2	PLATE, SHEAR (REAR)	15
1	1	-	B	690462-1	HOLDER, SHEAR (REAR)	14
1	1	-	C	690463-1	SHEAR, FLOAT (REAR)	13
2	2	-	A	5-22280-0	SPRING, SHEAR	12
2	2	-	B	690461-7	STOP, SHEAR	11
1	1	-	C	1-690459-0	HOLDER, SHEAR (FRONT)	10
1	1	-	C	454276-5	SHEAR, FLOAT (FRONT)	9
1	1	-	C	690512-5	ANVIL	8
1	1	-	C	2-240641-6	SPACER, DEPRESSOR (REAR)	7
1	1	-	A	690468-1	DEPRESSOR, SHEAR (REAR)	6
1	1	-	C	1-455889-6	DEPRESSOR, SHEAR (FRONT)	5
						4
						3
						2
1	1	-	C	455888-6	SPACER, CRIMPER	1
1	1	-	C	456410-5	CRIMPER, WIRE	1

QTY	REF	U/M	DWG SIZE	PART NO	DESCRIPTION	ITEM NO
2	2	-	C	5-354778-7	PIN, WIRE DISC (.2780)C	128
2	2	-	C	4-354778-7	PIN, WIRE DISC (.2730)B	127
2	2	-	C	3-354778-7	PIN, WIRE DISC (.2680)A	126
1	1	-	A	986950-1	WASHER, FLAT PRECISION	125
REF	REF	-	A	21045-3	RING, RET "C" (Ø.187)FD FING PIN	124
						123
REF	REF	-	A	5-21028-1	PIN, SLT SPR (Ø.125x.50)ADJ ROD	122
1	1	-	A	4-21028-0	PIN, SLT SPR (Ø.093x.75)ST GDE PL	121
REF	REF	-	A	1-21030-1	PIN, DOWEL (Ø.187x.50)LEVER	120
REF	REF	-	A	1-21030-6	PIN, DOWEL (Ø.187x1.25)HOUSING	119
						118
1	1	-	A	21024-5	WASHER, LOCK (#10)ADJ BLOCK	117
REF	REF	-	A	21024-5	WASHER, LOCK (#10)ADJ PLATE	116
REF	REF	-	A	21024-5	WASHER, LOCK (#10)FEED GDE ROD	115
2	2	-	A	21024-2	WASHER, LOCK (#4)FRONT STP GUIDE	114
						113
2	2	-	A	21024-4	WASHER, LOCK (#8)SHEAR DEP	112
4	4	-	A	21024-4	WASHER, LOCK (#8)STRIPPER	111
REF	REF	-	A	21899-4	WASHER, FLAT (Ø5/16)SCREW ADJ	110
1	-	-	A	2-21002-6	SCR, BHC (10-32x.38)LUBE ASSY	109
						108
REF	REF	-	A	21018-5	NUT, HEX (6-32)FEED ADJ	107
						106
						105
1	-	-	A	992031-1	PIN, CLEVIS	104
1	1	-	A	21009-2	SCR, SKT SET (1/4-20x.25 LW)RAM	103
2	2	-	A	21017-2	SCR, DRIVE (#2x.19)ID PLATE	102
REF	REF	-	A	6-23715-5	SCR, PAN HD (6-32x1.50)FEED ADJ	101
1	1	-	B	461264-1	PLATE, IDENTIFICATION	100
2	2	-	A	3-21002-0	SCR, BHC (10-32x.88)DRAG	99
1	1	-	A	22733-8	SCR, BHC (8-32x.38 LW)ANVIL	98
REF	REF	-	A	2-21002-9	SCR, BHC (10-32x.75)CAP	97
REF	REF	-	A	2-22733-8	SCR, BHC (1/4-20x.62)HOUSING	96
REF	REF	-	A	2-21002-7	SCR, BHC (10-32x.50)56 ADJ BLOCK	95
6	6	-	A	2-21002-2	SCR, BHC (8-32x.50)SHEAR	94
						93
						92
1	1	-	A	1-21002-7	SCR, BHC (6-32x.38)CAM	91
						90
						89
2	2	-	A	1-21000-8	SCR, SHC (6-32x.25)R SHEAR PLATE	88
						87
1	1	-	A	2-22603-0	SCR, HEX HD (8-32x.31)FEED FINGER	86
3	2	-	A	1-21000-3	SCR, SHC (4-40x.25)F ST GUIDE	85
3	3	-	A	3-21000-0	SCR, SHC (8-32x.88)STRIPPER	84
REF	REF	-	A	3-21000-7	SCR, SHC (10-32x.75)FEED ROD GD	83
REF	REF	-	A	3-21000-6	SCR, SHC (10-32x.62)FD ADJ BLK	82
1	1	-	A	3-21000-4	SCR, SHC (10-32x.38)56 ADJ BL	81
REF	REF	-	A	3-21000-4	SCR, SHC (10-32x.38)PIVOT BLK	80
REF	-	-	B	455749-1	GUARD, WINDOW	79
						78
1	-	-	C	1-465184-0	LUBRICATOR ASSY	77
						76
						75
						74
						73
REF	REF	-	A	458109-1	WASHER, SPECIAL	72
REF	REF	-	A	690517-1	SPACER	71



- 1 RECOMMENDED SPARE PARTS.
- 2 GREASE LIGHTLY.
- 3 GUARD MUST BE IN PLACE WHEN OPERATING APPLICATOR IN AMP-0-ELECTRIC MACHINE.
- 4 LUBRICATE DAILY USING NO. 20 MACHINE OIL.
- 5. ITEMS WITH QTY OF REF SPECIFIED (EXCEPT ITEM 79) ARE USED ON ITEM 46.
- 6 LUBRICATION REQUIRED WITH NICKEL PLATED TERMINALS.

THIS DRAWING IS A CONTROLLED DOCUMENT.

THIS DRAWING IS UNRELEASED. RELEASE FOR PUBLICATION BY AMP INCORPORATED. ALL RIGHTS RESERVED. COPYRIGHT 19

LOC A DIST 66

DIMENSIONS IN INCHES. DO NOT SCALE PRINT. TOLERANCES UNLESS OTHERWISE SPECIFIED:

DR	7/30/93	APP	9-15-93
D. SALTZER		E. KOOTIE	
3 PLC DEC ±		REL	10/12/93
3 PLC DEC ±		G. OCHENIS	
4 PLC DEC ±			

REMOVE BURRS, BREAK SHARP EDGES R.015 MAX

SCALE: **D** DWG NO: **680006** SHEET: **1 OF 1** REV: **C**

CUSTOMER AND ASSEMBLY DRAWING