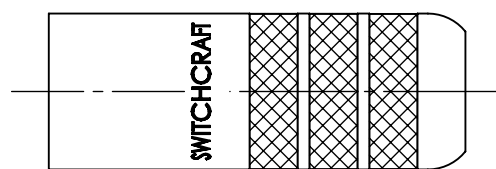
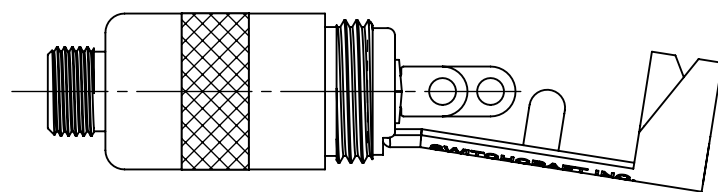
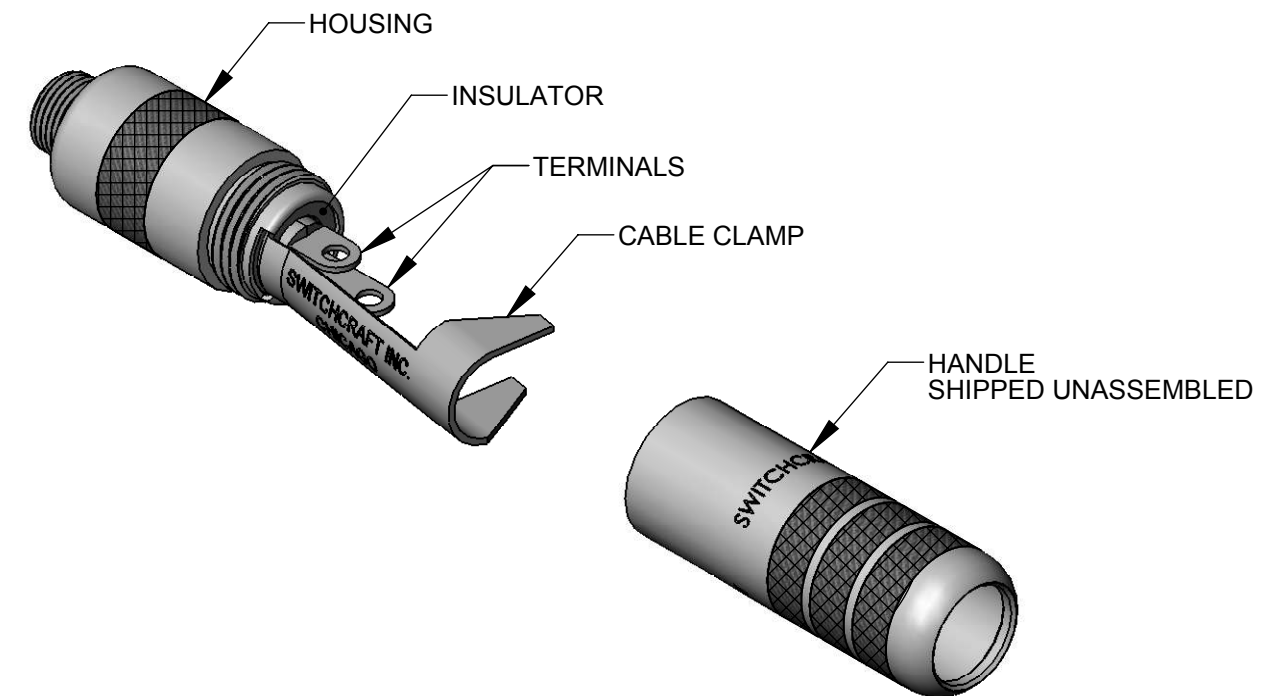
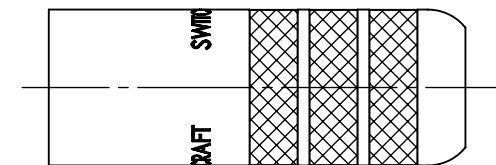
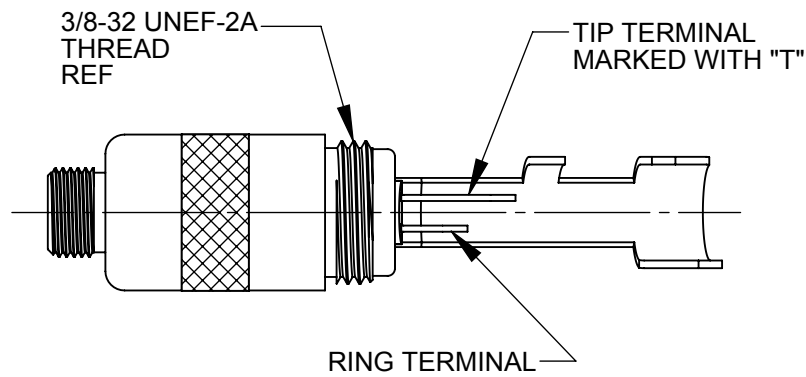


**PART NUMBER CHART**



**CUSTOMER DRAWING**

**NOTES:**

- MATES WITH LOCKING FEATURE OF 35HDL SERIES PLUGS.
- MATERIALS:  
 HOUSING - COPPER ALLOY, NICKEL PLATED  
 INSULATOR - THERMOPLASTIC, BLACK  
 CONTACTS - BERYLLIUM COPPER, SEE CHART FOR PLATING.  
 CABLE CLAMP - COLD ROLLED STEEL, TIN PLATED.  
 HANDLE - COPPER ALLOY, NICKEL PLATED.
- THIS PRODUCT IS RoHS COMPLIANT.

REV	ECO NUMBER	DATE	BY	APVD
A	26677	01-07-11	JEB	TJK
REVISIONS				

UNLESS OTHERWISE SPECIFIED  
 1. ALL DIMENSIONS IN INCHES  
 - TWO PLACE DECIMALS ±0.02  
 - THREE PLACE DECIMALS ±0.005  
 DO NOT SCALE DRAWING

THIS DRAWING DESCRIBES A DESIGN CONSIDERED PROPRIETARY IN NATURE, DEVELOPED AND MANUFACTURED BY SWITCHCRAFT INC. AND IS RELEASED ON A CONFIDENTIAL BASIS FOR IDENTIFICATION PURPOSES ONLY.									
SIZE		WIDTH		MULT		LBS/M		TEMPER	
FINISH SPEC No.						MATERIAL SPEC No.			
FIRST USED ON				SCALE 2:1					
DATE DRAWN	BY	CHKD	APVD						
09-16-09	BS	JEB	TJK			SHEET 1 OF 1			
NAME						PART No.		REV	
3.5 MM EXTENSION JACK, RoHS						35LJN_SERIES		A	