



- 10/100/1000 Base-T Gigabit for Ethernet Applications
- RJ45 jack cavity conforms to FCC rules and regulations Part 68, SUB Part F
- Operating Temp: 0°C to +70°C
- Contact Factory for Industrial Temp.
- Available in other Circuit Designs
- Optional Gold Plating Thickness
- Other LED Patterns available

Electrical Specifications @ 25°C

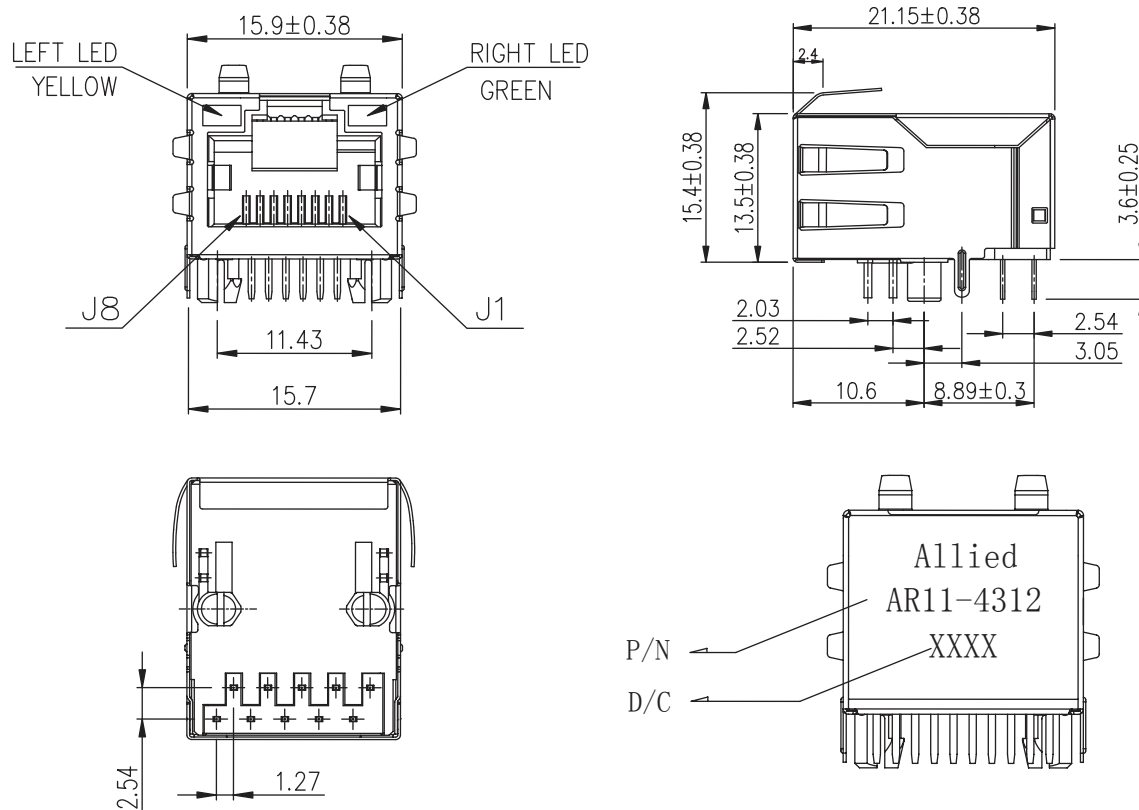
Part Number	OCL(uH Min) @ 100kHz, 0.1V With 8mA DC Bias	Turns Ratio (± 2%)				Insertion Loss (dB Max)		Return Loss (dB Min)			
		P2-P3: J1-J2	P4-P7: J3-J6	P5-P6: J4-J5	P8-P9: J7-J8	1-100MHz	100-125MHz	1-30MHz	30-60MHz	60-80MHz	80-100MHz
AR11-4312	350	1:1±5%	1:1±5%	1:1±5%	1:1±5%	-1.0	-1.2	-18	-16	-12	-10

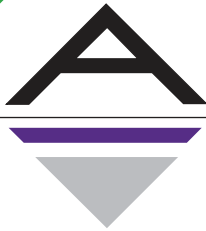
Electrical Specifications @ 25°C

Cross Talk (dB Min)	CMR (dB Min)	HI-POT 1.0mA,60S
1-100MHz	1-100MHz	1500VAC
-30	-30	

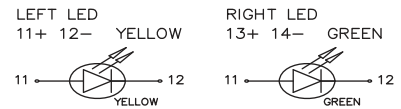
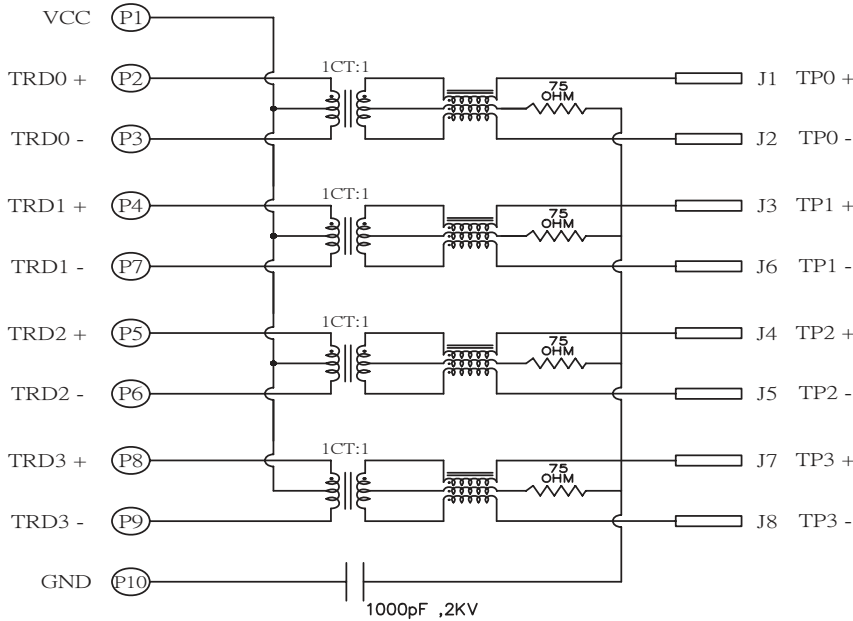
All specifications subject to change without notice.

MECHANICAL





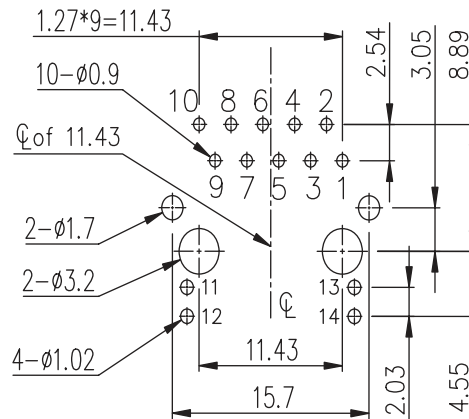
SCHMATICS



STANDARD LED	WAVELENGTH	FORWARD VOLTAGE
GREEN	565nm	2.5V MAX
YELLOW	585nm	2.5V MAX

With a forward current of 20mA

PCB LAYOUT



RECOMMENDED PCB LAYOUT
TOLERANCE ±0.05mm(T=1.6mm)

NOTES

- 1.Shielded – 0.20mm THICKNESS BRASS C2680 H. PLATING NICKEL 20u”–40u”.
- 2.Housing– Standard Material Nylon 66 Filled Polyester UL94V–0 Standed Color Black.
- 3.Contact Pin– Plastic: Nylon66 UL94V–0,Standard Color Black. Pin: 0.35mm Thickness Phos–Bronze C5210 EH. Plating: Nickel40u”~60u” for all and Sn 100%, and Gold Plating 6u” .
- 4.InsertPin– Plastic: Nylon 66,Glass Filled,UL94V–0, Standard Color Black. Pin: 0.35mm Thickness SUS430. Plating: Nickel40u”~60u” for all and Sn 100%.