



## AT30TSE752, AT30TSE754, AT30TSE758

**NOT RECOMMENDED  
FOR NEW DESIGNS**

AT30TSE752  
Replaced by  
AT30TSE752A

AT30TSE754  
Replaced by  
AT30TSE754A

AT30TSE758  
Replaced by  
AT30TSE758A

### 9- to 12-bit Selectable, $\pm 0.5^{\circ}\text{C}$ Accurate Digital Temperature Sensor with Nonvolatile Registers and Serial EEPROM

**DATASHEET**

See Applicable Errata in [Section 16](#).

#### Features

- Integrated Temperature Sensor + Nonvolatile Registers + Serial EEPROM
- 2-Wire I<sup>2</sup>C and SMBus™ compatible serial interface
  - Supports SMBus Timeout
  - Supports SMBus Alert and Alert Response Address (ARA)
  - Selectable addressing allows up to eight devices on the same bus
- Single 2.7V – 5.5V supply
- 100kHz and 400kHz compatibility
- Industry standard green (Pb/Halide-free/RoHS compliant) package options
  - 8-lead SOIC (150-mil)
  - 8-lead MSOP (3.0mm x 3mm)
  - 8-pad Ultra Thin DFN (UDFN — 2.0mm x 3.0mm x 0.6mm)

#### Digital Temperature Sensor Features

- Measures temperature from  $-55^{\circ}\text{C}$  to  $+125^{\circ}\text{C}$
- Highly accurate temperature measurements requiring no external components
  - $\pm 1.0^{\circ}\text{C}$  accuracy (typical) over the  $-5^{\circ}\text{C}$  to  $+90^{\circ}\text{C}$  range
  - $\pm 2.0^{\circ}\text{C}$  accuracy (typical) over the  $-20^{\circ}\text{C}$  to  $+125^{\circ}\text{C}$  range
  - $\pm 3.0^{\circ}\text{C}$  accuracy (typical) over the  $-40^{\circ}\text{C}$  to  $+125^{\circ}\text{C}$  range
- Pin and software compatible to industry-standard LM75-type devices
- User-configurable resolution
  - 9 to 12 bits ( $0.5000^{\circ}\text{C}$  to  $0.0625^{\circ}\text{C}$ )
- User-configurable high and low temperature limits
- Nonvolatile registers to retain user-configured or pre-defined power-up defaults
- Register locking to prevent erroneous misconfiguration
- Register lockdown for permanent, non-changeable device configuration
- One-Shot mode for single temperature measurement while in Shutdown mode
- ALERT output pin for indicating temperature alarms
- Low power dissipation
  - $75\mu\text{A}$  active current (typical) during temperature measurements
- Shutdown mode to minimize power consumption
  - $1\mu\text{A}$  active current (typical)

## Serial EEPROM Features

---

- Atmel® AT30TSE752 Integrates 2Kb of EEPROM
- Atmel AT30TSE754 Integrates 4Kb of EEPROM
- Atmel AT30TSE758 Integrates 8Kb of EEPROM
- Reversible software Write protection for full array
- Supports byte and Page Write operations
- Self-timed Write cycle (5ms maximum)
- High-reliability
  - Endurance: 1,000,000 Write cycles
  - Data retention: 100 years

## Table of Contents

---

|  |    |
|--|----|
| 1. Description   | 5  |
| 2. Pin Descriptions and Pinouts                          | 6  |
| 3. Block Diagram   | 7  |
| 4. Device Communication                                  | 8  |
| 4.1 Start Condition                                      | 8  |
| 4.2 Stop Condition                                       | 8  |
| 4.3 Acknowledge (ACK)                                    | 8  |
| 4.4 No-Acknowledge (NACK)                                | 9  |
| 5. Device Operation                                      | 10 |
| 5.1 Temperature Measurements                             | 10 |
| 5.2 Temperature Alarm                                    | 11 |
| 5.2.1 Fault Tolerance Limits                             | 11 |
| 5.2.2 Comparator Mode                                    | 12 |
| 5.2.3 Interrupt Mode                                     | 13 |
| 5.3 Shutdown Mode  | 14 |
| 5.3.1 One-Shot Mode                                      | 14 |
| 6. Registers   | 15 |
| 6.1 Pointer Register                                     | 15 |
| 6.2 Temperature Register                                 | 17 |
| 6.3 Configuration Register                               | 19 |
| 6.3.1 OS Bit   | 20 |
| 6.3.2 R1:R0 Bits   | 20 |
| 6.3.3 FT1:FT0 Bits                                       | 21 |
| 6.3.4 POL Bit  | 21 |
| 6.3.5 CMP/INT Bit  | 21 |
| 6.3.6 SD Bit   | 21 |
| 6.3.7 NVRBSY   | 22 |
| 6.4 Nonvolatile Configuration Register                   | 23 |
| 6.4.1 NVR1: NVR0 Bits                                    | 24 |
| 6.4.2 NVFT1:NVFT0 Bits                                   | 25 |
| 6.4.3 NVPOL Bit  | 25 |
| 6.4.4 NVCMP/INT Bit                                      | 25 |
| 6.4.5 NVSD Bit   | 25 |
| 6.4.6 RLCKDWN  | 25 |
| 6.4.7 RLCK   | 26 |
| 6.5 $T_{LOW}$ and $T_{HIGH}$ Limit Registers             | 27 |
| 6.6 Nonvolatile $T_{LOW}$ and $T_{HIGH}$ Limit Registers | 29 |
| 7. Register Locking                                      | 31 |
| 8. Operations Allowed During Nonvolatile Busy Status     | 32 |

|   |           |
|---|-----------|
| <b>9. Other Commands</b>  | <b>33</b> |
| 9.1 Copy Nonvolatile Registers to Volatile Registers            | 33        |
| 9.2 Copy Volatile Registers to Nonvolatile Registers            | 34        |
| <b>10. Serial EEPROM</b>  | <b>35</b> |
| 10.1 Memory Organization  | 35        |
| 10.2 Memory Addressing  | 35        |
| 10.3 Write Operations   | 36        |
| 10.3.1 Byte Write   | 36        |
| 10.3.2 Page Write   | 36        |
| 10.3.3 Acknowledge Polling                                      | 37        |
| 10.4 Read Operations  | 38        |
| 10.4.1 Current Address Read                                     | 38        |
| 10.4.2 Random Read  | 39        |
| 10.4.3 Sequential Read  | 40        |
| 10.5 Software Write Protect                                     | 41        |
| <b>11. SMBus Features and I<sup>2</sup>C General Call</b>       | <b>43</b> |
| 11.1 SMBus Alert  | 43        |
| 11.2 SMBus Timeout  | 44        |
| 11.3 General Call   | 44        |
| <b>12. Electrical Specifications</b>                            | <b>45</b> |
| 12.1 Absolute Maximum Ratings                                   | 45        |
| 12.2 DC and AC Operating Range                                  | 45        |
| 12.3 DC Characteristics   | 46        |
| 12.4 Temperature Sensor Accuracy and Conversion Characteristics | 47        |
| 12.5 AC Characteristics   | 48        |
| 12.6 Nonvolatile Register and Serial EEPROM Characteristics     | 49        |
| 12.7 Power-Up Conditions  | 49        |
| 12.8 Pin Capacitance  | 50        |
| 12.9 Input Test Waveforms and Measurement Levels                | 50        |
| 12.10 Output Test Load  | 50        |
| <b>13. Ordering Information</b>                                 | <b>51</b> |
| 13.1 Atmel Ordering Code Detail                                 | 51        |
| 13.2 Green Package Options (Pb/Halide-free/RoHS Compliant)      | 52        |
| <b>14. Part Marking Detail</b>                                  | <b>53</b> |
| <b>15. Packaging Information</b>                                | <b>54</b> |
| 15.1 8S1 — 8-lead JEDEC SOIC                                    | 54        |
| 15.2 8XM — 8-lead MSOP  | 55        |
| 15.3 8MA2 — 8-pad UDFN  | 56        |
| <b>16. Errata</b>   | <b>57</b> |
| 16.1 Fault Counter  | 57        |
| 16.2 ALERT Pin  | 58        |
| 16.3 ALERT Pin State  | 58        |
| <b>17. Revision History</b>                                     | <b>59</b> |

## 1. Description

The Atmel® AT30TSE752/754/758 are a complete, precise temperature monitoring device designed for use in a variety of applications that require the measuring of local temperatures as an integral part of the system's function and/or reliability. The AT30TSE752/754/758 devices combine a high-precision digital temperature sensor, programmable high and low temperature alarms, and a 2-wire I<sup>2</sup>C and SMBus (System Management Bus) compatible serial interface into a single, compact package.

The temperature sensor can measure temperatures over the full -55°C to +125°C temperature range and has a typical accuracy as precise as ±0.5°C from 0°C to +85°C. The result of the digitized temperature measurements are stored in one of the AT30TSE752/754/758's internal registers, which is readable at any time through the device's serial interface.

The AT30TSE752/754/758 utilizes flexible, user-programmable internal registers to configure the temperature sensor's performance and response to high and low temperature conditions. The device also contains a set of Nonvolatile Registers to retain the configuration and temperature limit settings even after the device has been power cycled, thereby eliminating the need for the device to be reconfigured after each Power-up operation. This additional flexibility permits the device to run self-contained and not rely upon a host controller for device configuration.

In addition, the AT30TSE752/754/758 contain a 2Kb, 4Kb, or 8Kb Serial EEPROM that can be used to store vital user system configuration and preference data. This additional feature permits the device to replace an existing 2-wire I<sup>2</sup>C Serial EEPROM in an application saving board space and component cost.

A dedicated alarm output activates if the temperature measurement exceeds the user-defined temperature and fault count limits. To reduce current consumption and save power, the AT30TSE752/754/758 features a Shutdown mode that turns off all internal circuitry except for the internal Power-On Reset (POR) and serial interface circuits. The device can also be configured to power-up in the Shutdown mode to ensure that the device remains in a low-power state until the user wishes to perform temperature measurements.

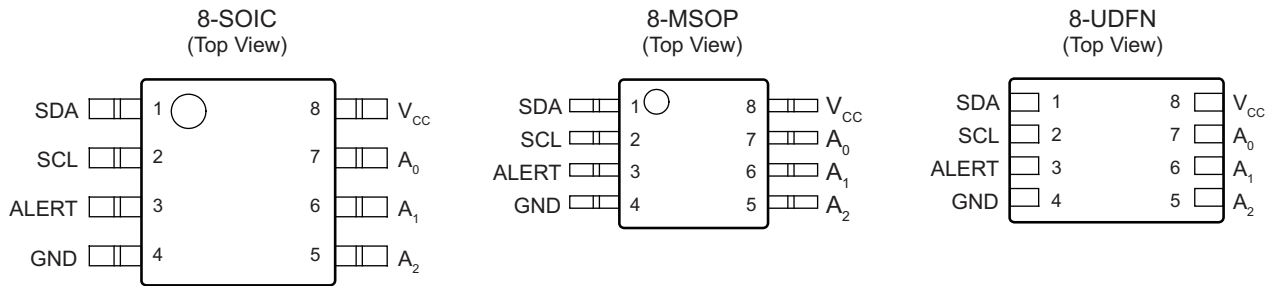
The AT30TSE752/754/758 are factory-calibrated and requires no external components to measure temperature. With its flexibility and high-degree of accuracy, the AT30TSE752/754/758 are ideal for extended temperature measurements in a wide variety of communication, computer, consumer, environmental, industrial, and instrumentation applications.

## 2. Pin Descriptions and Pinouts

Table 1. Pin Description

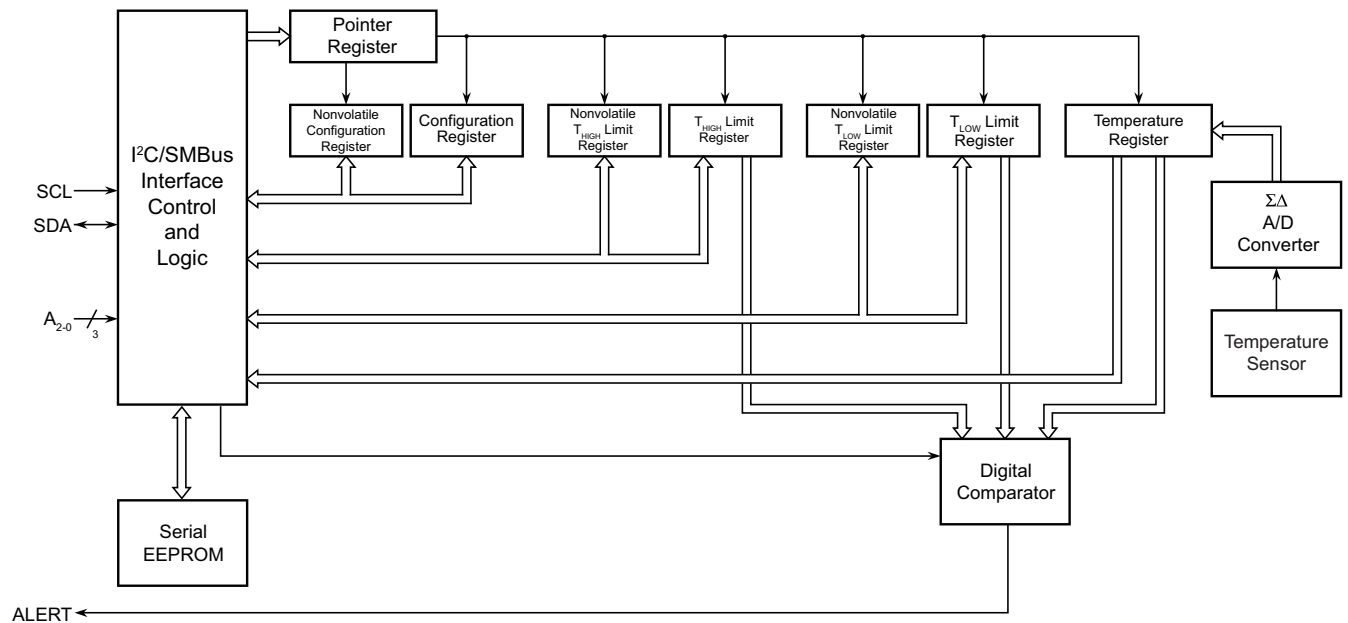
| Symbol           | Name and Function   | Asserted State | Type         |
|------------------|---|----------------|--------------|
| SCL              | <p><b>Serial Clock:</b> This pin is used to provide a clock to the device and is used to control the flow of data to and from the device. Command and input data present on the SDA pin is always latched in on the rising edge of SCL, while output data on the SDA pin is always clocked out on the falling edge of SCL.</p> <p>The SCL pin must either be forced high when the serial bus is idle or pulled-high using an external pull-up resistor.</p>   | —              | Input        |
| SDA              | <p><b>Serial Data:</b> The SDA pin is an open-drain bidirectional input/output pin used to serially transfer data to and from the device.</p> <p>The SDA pin must be pulled-high using an external pull-up resistor and may be wire-ANDed with any number of other open-drain or open-collector pins from other devices on the same bus.</p>  | —              | Input/Output |
| ALERT            | <p><b>ALERT:</b> The ALERT pin is an open-drain output pin used to indicate when the temperature goes beyond the user-programmed temperature limits. The ALERT pin can be operated in one of two different modes (Interrupt or Comparator mode) as defined by the CMP/INT bit in the Configuration Register. The ALERT pin defaults to an active-low output upon device power-up or reset but can be reconfigured as an active-high output by setting the POL bit in the Configuration Register.</p> <p>This pin can be wire-ANDed together with ALERT pins from other devices on the same bus. When wire-ANDing pins together, the ALERT pin should be configured as an active-low output so that when a single ALERT pin on the common alert bus goes active, the entire common alert bus will go low and the host controller will be properly notified since other ALERT pins that may be in the inactive-high state will not mask the true alert signal. In an SMBus environment, the SMBus host can respond by sending an SMBus ARA (Alert Response Address) command to determine which device on the SMBus generated the alert signal.</p> <p>The ALERT pin must be pulled-high using an external pull-up resistor even when it is not used. Care must also be taken to prevent this pin from being shorted directly to ground without a resistor at any time whether during testing or normal operation.</p> | —              | Output       |
| A <sub>2-0</sub> | <p><b>Address Inputs:</b> The A<sub>2-0</sub> pins are used to select the device address and correspond to the three least-significant bits (LSBs) of the I<sup>2</sup>C/SMBus 7-bit slave address. These pins can be directly connected in any combination to V<sub>CC</sub> or GND, and by utilizing the A<sub>2-0</sub> pins, up to eight devices may be addressed on a single bus.</p> <p>The A<sub>2-0</sub> pins are internally pulled to GND and may be left floating. However, it is highly recommended that the A<sub>2-0</sub> pins always be directly connected to V<sub>CC</sub> or GND to ensure a known address state.</p>  | —              | Input        |
| V <sub>CC</sub>  | <p><b>Device Power Supply:</b> The V<sub>CC</sub> pin is used to supply the source voltage to the device. Operations at invalid V<sub>CC</sub> voltages may produce spurious results and should not be attempted.</p>   | —              | Power        |
| GND              | <p><b>Ground:</b> The ground reference for the power supply. GND should be connected to the system ground.</p>  | —              | Power        |

**Figure 1. Pin Configurations**



### 3. Block Diagram

**Figure 3-1. Block Diagram**



## 4. Device Communication

The AT30TSE752/754/758 operates as a slave device and utilizes a simple 2-wire I<sup>2</sup>C and SMBus compatible digital serial interface to communicate with a host controller, commonly referred to as the bus Master. The Master initiates and controls all Read and Write operations to the slave devices on the serial bus, and both the Master and the slave devices can transmit and receive data on the bus.

The serial interface is comprised of just two signal lines: Serial Clock (SCL) and Serial Data (SDA). The SCL pin is used to receive the clock signal from the Master, while the bidirectional SDA pin is used to receive command and data information from the Master as well as to send data back to the Master. Data is always latched into the AT30TSE752/754/758 on the rising edge of SCL and always output from the device on the falling edge of SCL. Both the SCL and SDA pin incorporate integrated spike suppression filters and Schmitt triggers to minimize the effects of input spikes and bus noise.

All command and data information is transferred with the Most-Significant Bit (MSB) first. During bus communication, one data bit is transmitted every clock cycle, and after eight bits (one byte) of data has been transferred, the receiving device must respond with either an acknowledge (ACK) or a no-acknowledge (NACK) response bit during a ninth clock cycle (ACK/NACK clock cycle) generated by the Master. Therefore, nine clock cycles are required for every one byte of data transferred. There are no unused clock cycles during any Read or Write operation, so there must not be any interruptions or breaks in the data stream during each data byte transfer and ACK or NACK clock cycle.

During data transfers, data on the SDA pin must only change while SCL is low, and the data must remain stable while SCL is high. If data on the SDA pin changes while SCL is high, then either a Start or a Stop condition will occur. Start and Stop conditions are used to initiate and end all serial bus communication between the Master and the slave devices. The number of data bytes transferred between a Start and a Stop condition is not limited and is determined by the Master.

In order for the serial bus to be idle, both the SCL and SDA pins must be in the logic-high state at the same time.

### 4.1 Start Condition

A Start condition occurs when there is a high-to-low transition on the SDA pin while the SCL pin is stable in the logic-high state. The Master uses a Start condition to initiate any data transfer sequence, and the Start condition must precede any command. The AT30TSE752/754/758 will continuously monitor the SDA and SCL pins for a Start condition, and the device will not respond unless one is given.

### 4.2 Stop Condition

A Stop condition occurs when there is a low-to-high transition on the SDA pin while the SCL pin is stable in the logic-high state. The Master uses the Stop condition to end a data transfer sequence to the AT30TSE752/754/758 which will subsequently return to the idle state. The Master can also utilize a repeated Start condition instead of a Stop condition to end the current data transfer if the Master will perform another operation.

### 4.3 Acknowledge (ACK)

After every byte of data received, the AT30TSE752/754/758 must acknowledge to the Master that it has successfully received the data byte by responding with an ACK. This is accomplished by the Master first releasing the SDA line and providing the ACK/NACK clock cycle (a ninth clock cycle for every byte). During the ACK/NACK clock cycle, the AT30TSE752/754/758 must output a Logic 0 (ACK) for the entire clock cycle such that the SDA line must be stable in the logic-low state during the entire high period of the clock cycle.

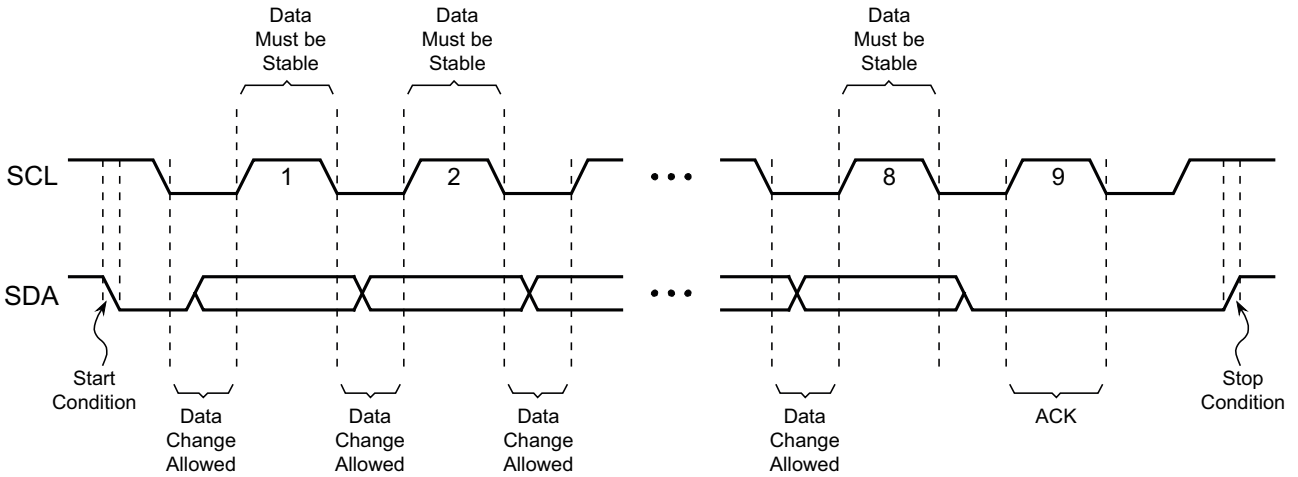


## 4.4 No-Acknowledge (NACK)

When the AT30TSE752/754/758 are transmitting data to the Master, the Master can indicate that it is done receiving data and wants to end the operation by sending a NACK response to the AT30TSE752/754/758 instead of an ACK response. This is accomplished by the Master outputting a Logic 1 during the ACK/NACK clock cycle, at which point the AT30TSE752/754/758 will release the SDA line so that the Master can then generate a Stop condition.

In addition, the AT30TSE752/754/758 can use a NACK to respond to the Master instead of an ACK for certain invalid operation cases such as an attempt to write to a Read-only Register (e.g. an attempt to write to the Temperature Register).

Figure 4-1. Start, Stop, and ACK



## 5. Device Operation

Commands used to configure and control the operation of the AT30TSE752/754/758 are sent to the device from the Master via the serial interface. Likewise, the Master can read the temperature data from the AT30TSE752/754/758 via the serial interface. However, since multiple slave devices can reside on the serial bus, each slave device must have its own unique 7-bit address so that the Master can access each device independently.

For the AT30TSE752/754/758, the first four MSBs of its 7-bit address are the device type identifier and are fixed at 1001 for temperature sensor and 1010 for Serial EEPROM. The remaining three LSBs correspond to the states of the hard-wired  $A_{2-0}$  address pins.

**Example:** If the  $A_{2-0}$  pins are connected to GND, then the 7-bit device address would be 1001000 or 1010000.

In order for the Master to select and access the AT30TSE752/754/758, the Master must first initiate a Start condition. Following the Start condition, the Master must output the device address byte. The device address byte consists of the 7-bit device address plus a Read/Write ( $R/\bar{W}$ ) control bit, which indicates whether the Master will be performing a Read or a Write to the AT30TSE752/754/758. If the  $R/\bar{W}$  control bit is a Logic 1, then the Master will be reading data from the AT30TSE752/754/758. Alternatively, if the  $R/\bar{W}$  control bit is a Logic 0, then the Master will be writing data to the AT30TSE752/754/758.

**Table 5-1. AT30TSE752/754/758 Address Byte**

|                           | Bit 7                  | Bit 6 | Bit 5 | Bit 4 | Bit 3          | Bit 2 | Bit 1 | Bit 0       |
|---------------------------|------------------------|-------|-------|-------|----------------|-------|-------|-------------|
| Function                  | Device Type Identifier |       |       |       | Device Address |       |       | Read/Write  |
| Temp Sensor               | 1                      | 0     | 0     | 1     | A2             | A1    | A0    | $R/\bar{W}$ |
| Serial EEPROM             | 1                      | 0     | 1     | 0     | A2             | A1    | A0    | $R/\bar{W}$ |
| Software Write Protection | 0                      | 1     | 1     | 0     | A2             | A1    | A0    | $R/\bar{W}$ |

Note: 1. See [Section 10.5 “Software Write Protect” on page 41](#) for more information.

If the 7-bit address sent by the Master matches that of the AT30TSE752/754/758, then the device will respond with an ACK after it has received the full address byte. If there is an address mismatch, then the AT30TSE752/754/758 will respond with a NACK and return to the idle state.

### 5.1 Temperature Measurements

The AT30TSE752/754/758 utilizes a band-gap type temperature sensor with an internal sigma-delta Analog-to-Digital Converter (ADC) to measure and convert the temperature reading into a digital value with a selectable resolution as high as 0.0625°C. The measured temperature is calibrated in degrees Celsius; therefore, a lookup table or conversion routine is necessary for applications that wish to deal in degrees Fahrenheit.

The result of the digitized temperature measurements are stored in the internal Temperature Register of the AT30TSE752/754/758, which is readable at any time through the device's serial interface. When in the normal operating mode, the device performs continuous temperature measurements and updates the contents of the Temperature Register (see [Section 6.2 “Temperature Register” on page 17](#)) after each analog-to-digital conversion.

The resolution of the temperature measurement data can be configured to 9, 10, 11, or 12 bits which corresponds to temperature increments of 0.5°C, 0.25°C, 0.125°C, and 0.0625°C, respectively. Selecting the temperature resolution is done by setting the R1 and R0 bits in the Configuration Register (see [Section 6.3 “Configuration Register” on page 19](#)). The ADC conversion time does increase with each bit of higher resolution, so careful consideration should be given to the resolution versus conversion time relationship. The resolution after device power-up or reset will revert to what was previously selected using the NVR1 and NVR0 bits of the Nonvolatile Configuration Register bits prior to when the device was powered-down or reset.

With 12 bits of resolution, the AT30TSE752/754/758 can theoretically measure a temperature range of 255°C (-128°C to +127°C); however, the device is only designed to measure temperatures over a range of -55°C to +125°C.

## 5.2 Temperature Alarm

After the measured temperature value has been stored into the Temperature Register, the data will be compared with both the high and low temperature limits defined by the values stored in the  $T_{HIGH}$  Limit Register and  $T_{LOW}$  Limit Register. If the comparison results in a valid fault condition (see Section 5.2.1 “Fault Tolerance Limits” on page 11), then the device will activate the ALERT output pin.

The polarity and function of the ALERT pin can be configured by using specific bits in the Configuration Register. The polarity of the ALERT pin is controlled by the POL bit in the Configuration Register while the function of the ALERT pin changes based on the Alarm Thermostat mode, which can be configured to either Comparator mode (see Section 5.2.2 “Comparator Mode” on page 12) or Interrupt mode (see Section 5.2.3 “Interrupt Mode” on page 13) by using the CMP/INT bit in the Configuration Register. After the device powers up or resets, the NVPOL and NVCMP/INT bits of the Nonvolatile Configuration Register are automatically copied into the POL and CMP/INT bits of the Configuration Register; therefore, the ALERT pin polarity and function will revert back to the settings defined by the NVPOL and NVCMP/INT bits prior to when the device was powered-down or reset.

The value of the high temperature limit stored in the  $T_{HIGH}$  Limit Register must be greater than the value of the low temperature limit stored in the  $T_{LOW}$  Limit Register in order for the ALERT function to work properly; otherwise, the ALERT pin will output erroneous results and will falsely signal temperature alarms.

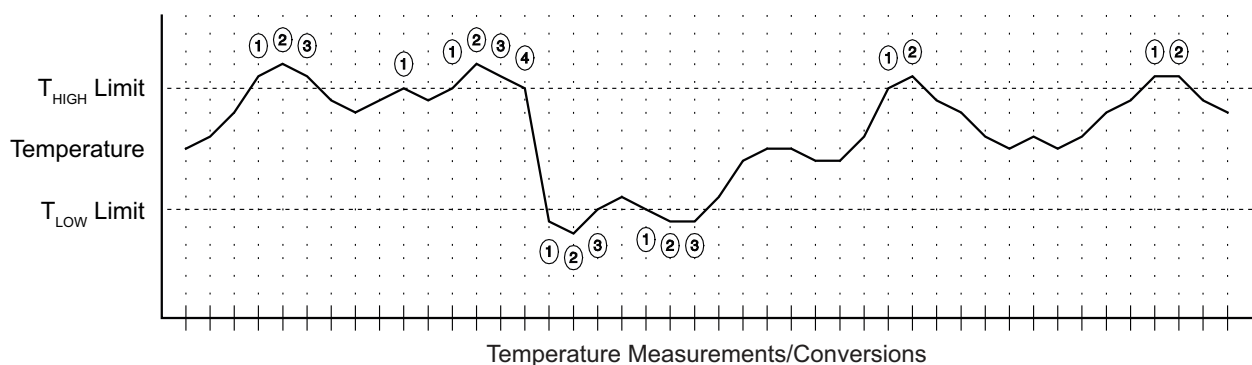
### 5.2.1 Fault Tolerance Limits

A temperature fault occurs if the measured temperature meets or exceeds either the high temperature limit set by the  $T_{HIGH}$  Limit Register or the low temperature limit set by the  $T_{LOW}$  Limit Register. To prevent false alarms due to environmental or temperature noise, the device incorporates a fault tolerance queue that requires consecutive temperature faults to occur before resulting in a valid fault condition. The fault tolerance queue value is controlled by the FT1 and FT0 bits in the Configuration Register and can be set to a single fault count of one or a count of two, four, or six consecutive faults.

An internal counter that automatically increments after a temperature fault is used to determine if the fault tolerance queue setting has been met. After incrementing the fault counter, the device will compare the count to the fault tolerance queue setting to see if a valid fault condition should be triggered. Once a valid fault condition occurs, the device will activate the ALERT output pin. If the most recent measured temperature does not meet or exceed the high or low temperature limit, then the internal fault counter will be reset back to zero.

Figure 5-1 shows a sample temperature profile and how each temperature fault would impact the internal fault counter.

Figure 5-1. Fault Count Example



After the device powers up or resets, the NVFT1 and NVFT0 bits of the Nonvolatile Configuration Register are automatically copied into the FT1 and FT0 bits of the Configuration Register. Therefore, the Fault Tolerance Queue setting will revert back to the settings defined by the NVFT1 and NVFT0 bits prior to when the device was powered-down or reset.

## 5.2.2 Comparator Mode

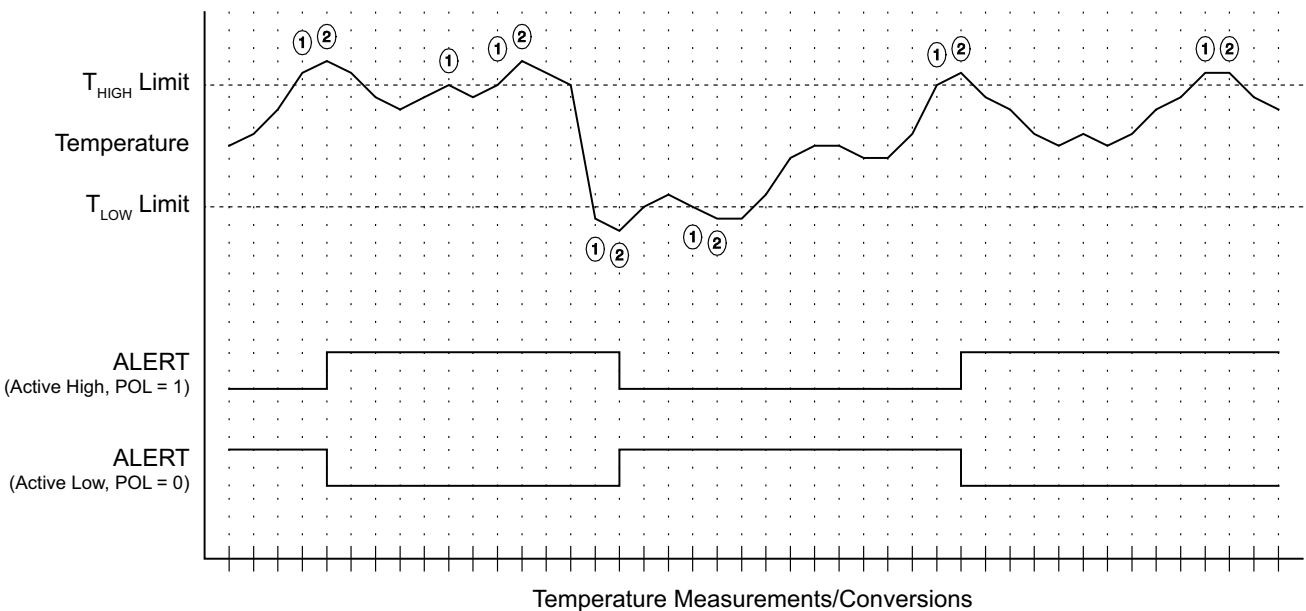
When the device operates in the Comparator mode, then the ALERT pin goes active if the measured temperature meets or exceeds the high temperature limit set by the  $T_{HIGH}$  Limit Register and a valid fault condition exists (the consecutive number of temperature faults has been reached). The ALERT pin will return to the inactive state after the measured temperature drops below the  $T_{LOW}$  Limit Register value the appropriate number of times to create a subsequent valid fault condition. The ALERT pin only changes state based on the high and low temperature limits and fault conditions; reading from or writing to any register or putting the device into Shutdown mode will not affect the state of the ALERT pin. The high temperature limit set by the  $T_{HIGH}$  Limit Register must be greater than the low temperature limit set by the  $T_{LOW}$  Limit Register in order for the ALERT pin to activate correctly.

If switching from Interrupt mode to Comparator mode while the ALERT pin is already active, then the ALERT pin will remain active until the measured temperature is below the  $T_{LOW}$  Limit Register value the appropriate number of times to create a valid fault condition.

The ALERT pin will return to the inactive state if the device receives the General Call Reset command. When reset, the contents of the Nonvolatile Configuration Register will be copied into the Configuration Register; therefore, the device may or may not return to the Comparator mode depending on the setting of the NVCMP/INT bit in the Nonvolatile Configuration Register.

Figure 5-2 illustrates both the active high and active low ALERT pin response for a sample temperature profile with the device configured for the Comparator mode and a fault tolerance queue setting of two.

Figure 5-2. Comparator Mode (Fault Tolerance Queue = 2)



### 5.2.3 Interrupt Mode

Similar to the Comparator mode, when the device operates in the Interrupt mode, the ALERT pin will go active if the measured temperature meets or exceeds the high temperature limit set by the  $T_{HIGH}$  Limit Register and a valid fault condition exists (the consecutive number of temperature faults has been reached). Unlike the Comparator mode, however, the ALERT pin will remain active until one of three normal operation events takes place: any one of the device's registers is read, the device responds to an SMBus Alert Response Address (ARA), or the device is put into Shutdown mode.

Once the ALERT pin returns to the inactive state, it will not go active again until the measured temperature drops below the low temperature limit set by the  $T_{LOW}$  Limit Register for the appropriate number of consecutive faults. Again, the ALERT pin will remain active until one of the device's registers is read, the device responds to an SMBus ARA, or the device is placed into the Shutdown mode.

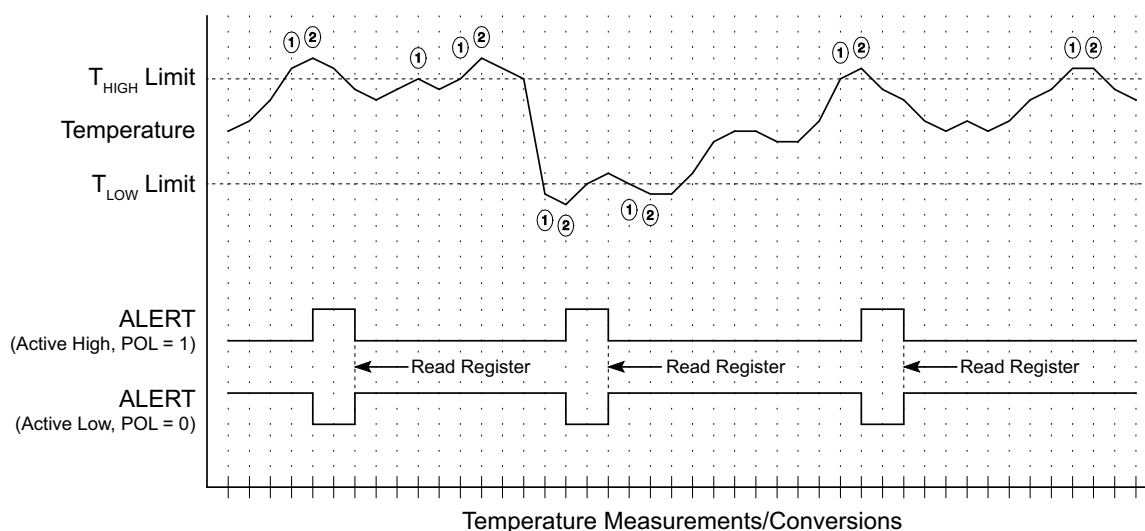
After the ALERT pin becomes inactive again, the cycle will repeat itself with the ALERT pin going active after the measured temperature meets or exceeds the  $T_{HIGH}$  Limit Register value for the proper number of consecutive faults. This process is cyclical between  $T_{HIGH}$  and  $T_{LOW}$  temperature alarms (e.g.  $T_{HIGH}$  event, ALERT clear,  $T_{LOW}$  event, ALERT clear,  $T_{HIGH}$  event, ALERT clear,  $T_{LOW}$  event, etc.).

In order for the ALERT pin to normally become active for the first time in the Interrupt Mode, the first event must be a  $T_{HIGH}$  temperature alarm event. Therefore, even if the measured temperature initially starts off between the  $T_{HIGH}$  and  $T_{LOW}$  limits and then drops below the  $T_{LOW}$  temperature limit and has met valid fault conditions, the ALERT pin will still not go active. The high temperature limit set by the  $T_{HIGH}$  Limit Register must be greater than the low temperature limit set by the  $T_{LOW}$  Limit Register in order for the ALERT pin to activate correctly.

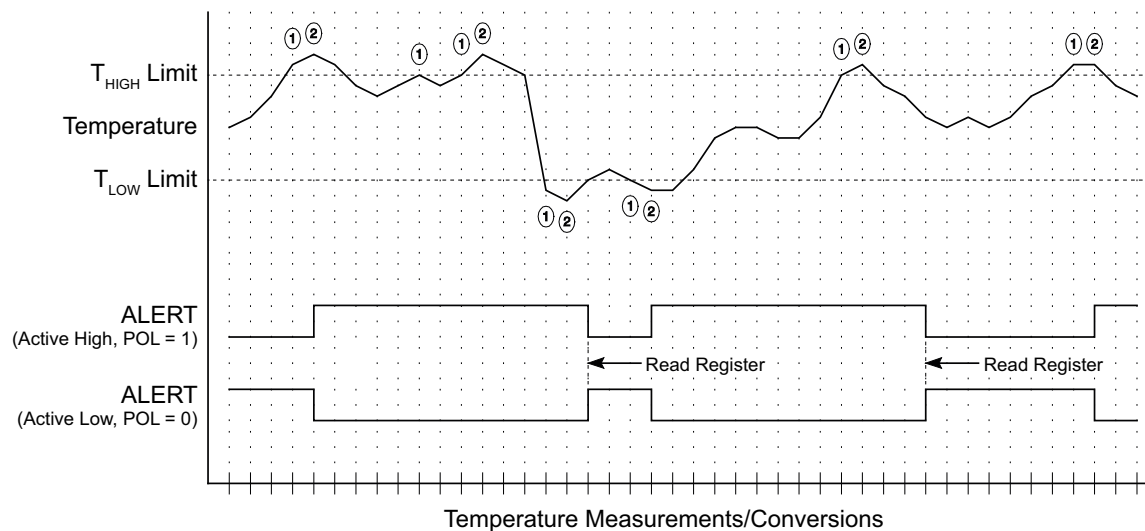
If switching from Comparator mode to Interrupt Mode while the ALERT pin is already active, then the ALERT pin will remain active until it is cleared by one of the events already detailed: any one of the device's registers is read, the device responds to an SMBus Alert Response Address (ARA), or the device is put into Shutdown Mode. The ALERT pin will also return to the inactive state if the device receives the General Call Reset command. When reset, the contents of the Nonvolatile Configuration Register will be copied into the Configuration Register; therefore, the device may or may not return to the Interrupt mode depending on the setting of the NVCMP/INT bit in the Nonvolatile Configuration Register.

Figures 5-3 and Figure 5-4 show both the active high and active low ALERT pin response for a sample temperature profile with the device configured for the Interrupt mode and a fault tolerance queue setting of two. Figure 5-4 illustrates how the ALERT pin output would look if there was a longer delay between the ALERT trigger and the reading of a register.

**Figure 5-3. Interrupt Mode (Fault Tolerance Queue = 2)**



**Figure 5-4. Interrupt Mode (Fault Tolerance Queue = 2) Delay Before Reading Register**



### 5.3 Shutdown Mode

To reduce current consumption and save power, the device features a Shutdown mode that disables all internal device circuitry except for the serial interface and POR circuits. While in the Shutdown mode, the internal temperature sensor is not active, so no temperature measurements will be made. Entering and exiting the Shutdown mode is controlled by the SD bit in the Configuration Register.

Entering the Shutdown mode can affect the ALERT pin depending on the Alarm Thermostat mode. If the device is configured to operate in the Interrupt mode, then the ALERT pin will go inactive when the device enters the Shutdown mode. However, the ALERT pin will not change states if the device is operating in the Comparator mode.

The fault count information will not change when the device enters or exits the Shutdown mode; therefore, the number of previous temperature faults recorded by the internal fault counter will be retained unless the device is power-cycled or reset. When exiting the Shutdown mode, the ALERT pin will go active if operating in Interrupt mode, a valid fault condition exists, and the  $T_{HIGH}$  and  $T_{LOW}$  event cycles are maintained (i.e.  $T_{HIGH}$  event before entering Shutdown mode followed by a  $T_{LOW}$  event when exiting Shutdown mode).

The device can be powered-down while in the Shutdown mode so that it will remain in the Shutdown mode after the subsequent Power-up operation. This is accomplished by setting the NVSD bit in the Nonvolatile Configuration Register to the Logic 1 state prior to power-down. Upon power-up or reset, the device will first copy the contents of the Nonvolatile Data Registers into the Volatile Data Registers, after which the device will perform a single temperature measurement and store the result in the Temperature Register. After this process is complete, the device will re-enter the Shutdown mode.

#### 5.3.1 One-Shot Mode

The AT30TSE752/754/758 features a One-Shot Temperature mode that allows the device to perform a single temperature measurement while in the Shutdown mode. By keeping the device in the Shutdown mode and utilizing the One-Shot mode, the AT30TSE752/754/758 can remain in a lower power state and only go active to take temperature measurements on an as-needed basis. The internal fault counter will be updated when taking a temperature measurement using the One-Shot mode; therefore, a valid fault condition can be generated by the One-Shot temperature measurements. If operating in Comparator mode, then the fault condition will cause the ALERT pin to go either active or inactive depending on if the fault condition is a result of a  $T_{HIGH}$  or  $T_{LOW}$  event. If operating in Interrupt mode, the fault condition will cause the ALERT pin to pulse active for a short duration of time to indicate a  $T_{HIGH}$  or  $T_{LOW}$  event has occurred. The ALERT pin will then return to the inactive state.

The One-Shot mode is controlled using the OS bit in the Configuration Register (see [Section 6.3.1 “OS Bit” on page 20](#)).

## 6. Registers

The AT30TSE752/754/758 contains eight registers (a Pointer Register and seven data registers) that are used to control the operational mode and performance of the temperature sensor, store the user-defined high and low temperature limits, and store the digitized temperature measurements. All accesses to the device are performed using these eight registers. In order to read from and write to one of the device's seven data registers, the user must first select a desired data register by utilizing the Pointer Register.

The device incorporates both volatile and nonvolatile versions of the Configuration Register, the  $T_{LOW}$  Limit Register, and the  $T_{HIGH}$  Limit Register. Upon device power-up or reset, the AT30TSE752/754/758 will copy the contents of the Nonvolatile Data Registers into the Volatile Data Registers. Both the volatile and Nonvolatile Data Registers can be modified separately provided that the registers are not locked or locked down; however, all temperature sensor related operations, such as responses to high and low temperature conditions, are based on the settings stored in the volatile versions of the registers only; therefore, if the Nonvolatile Data Registers are updated with new values, then the contents of the Nonvolatile Data Registers should be copied to the Volatile Data Registers (see [Section 9.1 “Copy Nonvolatile Registers to Volatile Registers” on page 33](#))

**Table 6-1. Registers**

| Register                              | Address | Read/Write | Size   | Power-on Default                              | Factory Default |
|---------------------------------------|---------|------------|--------|---|-----------------|
| Pointer Register                      | n/a     | W          | 8-bit  | 00h   | n/a             |
| Temperature Register                  | 00h     | R          | 16-bit | 0000h   | n/a             |
| Configuration Register                | 01h     | R/W        | 16-bit | Copy of Nonvolatile Configuration Register    | n/a             |
| $T_{LOW}$ Limit Register              | 02h     | R/W        | 16-bit | Copy of Nonvolatile $T_{LOW}$ Limit Register  | n/a             |
| $T_{HIGH}$ Limit Register             | 03h     | R/W        | 16-bit | Copy of Nonvolatile $T_{HIGH}$ Limit Register | n/a             |
| Nonvolatile Configuration Register    | 11h     | R/W        | 16-bit | Last Programmed State                         | 0000h           |
| Nonvolatile $T_{LOW}$ Limit Register  | 12h     | R/W        | 16-bit | Last Programmed State                         | 4B00h (75°C)    |
| Nonvolatile $T_{HIGH}$ Limit Register | 13h     | R/W        | 16-bit | Last Programmed State                         | 5000h (80°C)    |

The Configuration Register, despite being 16-bits wide, is compatible to industry standard LM75-type temperature sensors that use an 8-bit wide register in that only the first 8-bits of the Configuration Register need to be written to or read from.

### 6.1 Pointer Register

The 8-bit Write-only Pointer Register is used to address and select which one of the device's seven data registers (Temperature Register, Configuration Register,  $T_{LOW}$  Limit Register,  $T_{HIGH}$  Limit Register, Nonvolatile Configuration Register, Nonvolatile  $T_{LOW}$  Limit Register, or Nonvolatile  $T_{HIGH}$  Limit Register) will be read from or written to.

For Read operations from the AT30TSE752/754/758, once the Pointer Register is set to point to a particular data register, it remains pointed to that same data register until the Pointer Register value is changed.

**Example:** If the user sets the Pointer Register to point to the Temperature Register, then all subsequent reads from the device will output data from the Temperature Register until the Pointer Register value is changed.



For Write operations to the AT30TSE752/754/758, the Pointer Register value must be refreshed each time a Write to the device is to be performed, even if the same data register is going to be written to a second time in a row.

**Example:** If the Pointer Register is set to point to the Configuration Register, once the subsequent Write operation to the Configuration Register has completed, the user cannot write again into the Configuration Register without first setting the Pointer Register value again. As long as a Write operation is to be performed, the device will assume that the Pointer Register value is the first data byte received after the address byte.

Since only seven data registers are available for access, only the five LSBs (P4 to P0) of the Pointer Register are used; the remaining three bits (P7 to P5) of the Pointer Register should always be set to zero to allow for future migration paths to other temperature sensor devices that have more than seven data registers. In addition, the device incorporates additional commands that are decoded in lieu of the Pointer Register byte. Therefore, if bits P7 to P5 are not set as zero when setting the value of the Pointer Register byte, the device may interpret the data as one of the additional commands. Table 6-2 shows the bit assignments of the Pointer Register and the associated pointer addresses of the data registers available. Attempts to write any values other than those listed in Table 6-2 into the Pointer Register will be ignored by the device, and the contents of the Pointer Register will not be changed. The device will respond back to the Master with a NACK to indicate that the device received an invalid Pointer Register byte.

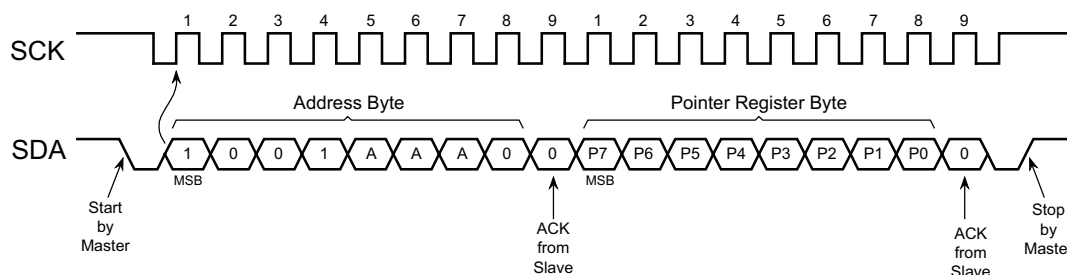
**Table 6-2. Pointer Register and Address Assignments**

| Pointer Register Value |    |    |    |    |    |    |    | Associated Address | Register Selected                            |
|------------------------|----|----|----|----|----|----|----|--------------------|--|
| P7                     | P6 | P5 | P4 | P3 | P2 | P1 | P0 |                    |  |
| 0                      | 0  | 0  | 0  | 0  | 0  | 0  | 0  | 00h                | Temperature Register                         |
| 0                      | 0  | 0  | 0  | 0  | 0  | 0  | 1  | 01h                | Configuration Register                       |
| 0                      | 0  | 0  | 0  | 0  | 0  | 1  | 0  | 02h                | T <sub>LOW</sub> Limit Register              |
| 0                      | 0  | 0  | 0  | 0  | 0  | 1  | 1  | 03h                | T <sub>HIGH</sub> Limit Register             |
| 0                      | 0  | 0  | 1  | 0  | 0  | 0  | 1  | 11h                | Nonvolatile Configuration Register           |
| 0                      | 0  | 0  | 1  | 0  | 0  | 1  | 0  | 12h                | Nonvolatile T <sub>LOW</sub> Limit Register  |
| 0                      | 0  | 0  | 1  | 0  | 0  | 1  | 1  | 13h                | Nonvolatile T <sub>HIGH</sub> Limit Register |

To set the value of the Pointer Register, the Master must first initiate a Start condition followed by the AT30TSE752/754/758 device address byte (1001AAA0 where “AAA” corresponds to the hard-wired A<sub>2-0</sub> address pins). After the AT30TSE752/754/758 has received the proper address byte, the device will send an ACK to the Master. The Master must then send the appropriate data byte to the AT30TSE752/754/758 to set the value of the Pointer Register.

After device power-up or reset, the Pointer Register defaults to 00h which is the Temperature Register location; therefore, the Temperature Register can be read from immediately after device power-up or reset without having to set the Pointer Register. If the device is configured to power-up in the Shutdown mode, then the device will make a single temperature measurement immediately after power-up so that valid temperature data can be output from the Temperature Register.

**Figure 6-1. Write Pointer Register**





## 6.2 Temperature Register

The Temperature Register is a 16-bit Read-only Register that stores the digitized value of the most recent temperature measurement. The temperature data value is represented in the two's complement format, and, depending on the resolution selected, up to 12 bits of data will be available for output with the remaining LSBs being fixed in the Logic 0 state. The Temperature Register can be read at any time, and since temperature measurements are performed in the background, reading the Temperature Register does not affect any other operation that may be in progress.

The MSB (bit 15) of the Temperature Register contains the sign bit of the measured temperature value with a zero indicating a positive number and a one indicating a negative number. The remaining MSBs of the Temperature Register contain the temperature value in the two's complement format. [Table 6-3](#) details the Temperature Register format for the different selectable resolutions, and [Table 6-4](#) shows some examples for 12-bit resolution Temperature Register data values and the associated temperature readings.

**Table 6-3. Temperature Register Format**

| Resolution | Upper Byte |        |        |        |        |        |       |       | Lower Byte |       |       |       |       |       |       |       |
|------------|------------|--------|--------|--------|--------|--------|-------|-------|------------|-------|-------|-------|-------|-------|-------|-------|
|            | Bit 15     | Bit 14 | Bit 13 | Bit 12 | Bit 11 | Bit 10 | Bit 9 | Bit 8 | Bit 7      | Bit 6 | Bit 5 | Bit 4 | Bit 3 | Bit 2 | Bit 1 | Bit 0 |
| 12 bits    | Sign       | TD     | TD     | TD     | TD     | TD     | TD    | TD    | TD         | TD    | TD    | TD    | 0     | 0     | 0     | 0     |
| 11 bits    | Sign       | TD     | TD     | TD     | TD     | TD     | TD    | TD    | TD         | TD    | TD    | 0     | 0     | 0     | 0     | 0     |
| 10 bits    | Sign       | TD     | TD     | TD     | TD     | TD     | TD    | TD    | TD         | TD    | 0     | 0     | 0     | 0     | 0     | 0     |
| 9 bits     | Sign       | TD     | TD     | TD     | TD     | TD     | TD    | TD    | TD         | 0     | 0     | 0     | 0     | 0     | 0     | 0     |

Note: TD = Temperature Data

**Table 6-4. 12-bit Resolution Temperature Data/Values Examples**

| Temperature | Temperature Register Data |           |
|-------------|---------------------------|-----------|
|             | Binary Value              | Hex Value |
| +125°C      | 0111 1101 0000 0000       | 7D00h     |
| +100°C      | 0110 0100 0000 0000       | 6400h     |
| +75°C       | 0100 1011 0000 0000       | 4B00h     |
| +50.5°C     | 0011 0010 1000 0000       | 3200h     |
| +25.25°C    | 0001 1001 0100 0000       | 1940h     |
| +10.125°C   | 0000 1010 0010 0000       | 0A20h     |
| +0.0625°C   | 0000 0000 0001 0000       | 0010h     |
| 0°C         | 0000 0000 0000 0000       | 0000h     |
| -0.0625°C   | 1111 1111 1111 0000       | FFF0h     |
| -10.125°C   | 1111 0101 1110 0000       | F5E0h     |
| -25.25°C    | 1110 0111 1100 0000       | E7C0h     |
| -50.5°C     | 1100 1110 1000 0000       | CE80h     |
| -55°C       | 1100 1001 0000 0000       | C900h     |

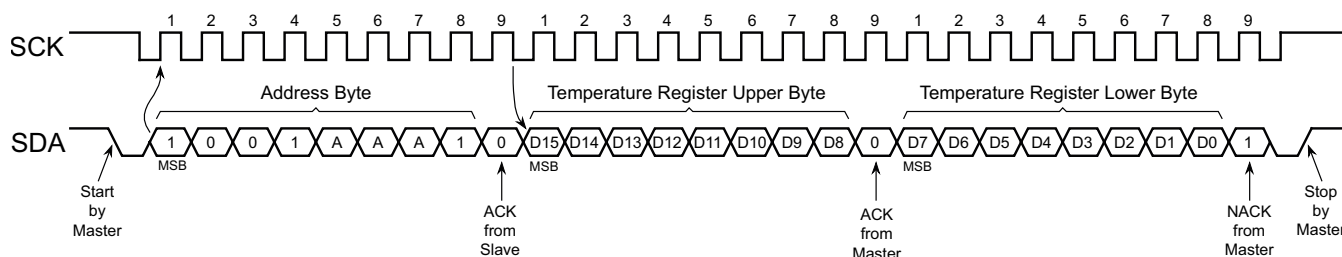
After each temperature measurement and digital conversion is complete, the new temperature data is loaded into the Temperature Register if the register is not currently being read. If a Read is in progress, then the previous temperature data will be output. Accessing the Temperature Register continuously without waiting the maximum conversion time ( $t_{CONV}$ ) for the selected resolution may prevent the device from properly updating the Temperature Register with new temperature data.

In order to read the most recent temperature measurement data, the Pointer Register must be set or have been previously set to 00h. If the Pointer Register has already been set to 00h, the Temperature Register can be read by having the Master first initiate a Start condition followed by the AT30TSE752/754/758 device address byte (1001AAA1 where “AAA” corresponds to the hard-wired  $A_{2-0}$  address pins). After the AT30TSE752/754/758 has received the proper address byte, the device will send an ACK to the Master. The Master can then read the upper byte of the Temperature Register. After the upper byte of the Temperature Register has been clocked out of the AT30TSE752/754/758, the Master must send an ACK to indicate that it is ready for the lower byte of the temperature data. The AT30TSE752/754/758 will then clock out the lower byte of the Temperature Register, after which the Master must send a NACK to end the operation. When the AT30TSE752/754/758 receives the NACK, it will release the SDA line so that the Master can send a Stop or repeated Start condition. If the Master does not send a NACK but instead sends an ACK after the lower byte of the Temperature Register has been clocked out, then the device will repeat the sequence by outputting new temperature data starting with the upper byte of the Temperature Register.

If 8-bit temperature resolution is satisfactory, then the lower byte of the Temperature Register does not need to be read. In this case, the Master would send a NACK instead of an ACK after the upper byte of the Temperature Register has been clocked out of the AT30TSE752/754/758. When the AT30TSE752/754/758 receives the NACK, the device will know that it should not send out the lower byte of the Temperature Register and will instead release the SDA line so the Master can send a Stop or repeated Start condition.

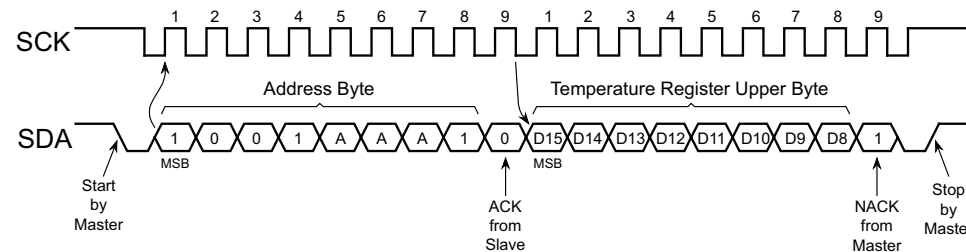
The Temperature Register defaults to 0000h after device power-up or reset; therefore, the system should wait the maximum conversion time ( $t_{CONV}$ ) for the selected resolution before attempting to read valid temperature data. If the device is configured to power-up in the Shutdown mode, then the device will make a single temperature measurement immediately after power-up so that valid temperature data can be output from the Temperature Register after the maximum  $t_{CONV}$  time. Since the Temperature Register is a Read-only Register, any attempts to write to the register will be ignored, and the device will subsequently respond by sending a NACK back to the Master for any data bytes that are sent.

**Figure 6-2. Read Temperature Register — 16 Bits**



Note: Assumes the Pointer Register was previously set to point to the Temperature Register.

**Figure 6-3. Read Temperature Register — 8 Bits**



Note: Assumes the Pointer Register was previously set to point to the Temperature Register.

## 6.3 Configuration Register

The Configuration Register is used to control key operational modes and settings of the device such as the One-Shot mode, the temperature conversion resolution, the fault tolerance queue, the ALERT pin polarity, the Alarm Thermostat mode, and the Shutdown mode. The Configuration Register is a 16-bit wide Read/Write Register; however, only the first 8-bits of the register are actually used while the least-significant 8-bits are reserved for future use to provide an upward migration path to other temperature sensor devices that have enhanced features. Since only the most-significant 8-bits of the Configuration Register are used, the device is backwards compatible to industry standard LM75-type temperature sensors that use 8-bit wide registers.

After device power-up or reset, the contents of the most-significant byte (bits 15 through 8) of the Nonvolatile Configuration Register will always be automatically copied into the Configuration Register. Therefore, the Configuration Register settings will match the settings of the Nonvolatile Configuration Register prior to when the device was powered-down or reset. Since the Configuration Register value will always be copied from the Nonvolatile Configuration Register, the Configuration Register can be temporarily changed without affecting subsequent power-up/reset settings. If it is desired for the new Configuration Register settings to become the new power-up/reset settings, then the contents of the Configuration Register can be copied into the most-significant byte of the Nonvolatile Configuration Register by using the copy Volatile Registers to Nonvolatile Registers command (see [Section 9.2 “Copy Volatile Registers to Nonvolatile Registers” on page 34](#)). Please note that when using the copy Volatile Registers to Nonvolatile Registers command, the contents of the  $T_{HIGH}$  and  $T_{LOW}$  Limit Registers will also be copied into the nonvolatile  $T_{HIGH}$  and  $T_{LOW}$  Limit Registers.

**Table 6-5. Configuration Register**

| Bit   | Name       |                                | Type | Description |   |
|-------|------------|--------------------------------|------|-------------|---|
| 15    | OS         | One-Shot Mode                  | R/W  | 0           | Normal Operation (Default)  |
|       |            |                                |      | 1           | Perform One-Shot Measurement (Valid in Shutdown Mode Only)            |
| 14:13 | R1:R0      | Conversion Resolution          | R/W  | 00          | 9-bits (Default)  |
|       |            |                                |      | 01          | 10-bits   |
|       |            |                                |      | 10          | 11-bits   |
|       |            |                                |      | 11          | 12-bits   |
| 12:11 | FT1:FT0    | Fault Tolerance Queue          | R/W  | 00          | Alarm after 1 Fault (Default)   |
|       |            |                                |      | 01          | Alarm after 2 Consecutive Faults.                                     |
|       |            |                                |      | 10          | Alarm after 4 Consecutive Faults.                                     |
|       |            |                                |      | 11          | Alarm after 6 Consecutive Faults.                                     |
| 10    | POL        | ALERT Pin Polarity             | R/W  | 0           | ALERT Pin is Active Low (Default).                                    |
|       |            |                                |      | 1           | ALERT Pin is Active High.   |
| 9     | CMP/INT    | Alarm Thermostat Mode          | R/W  | 0           | Comparator Mode (Default).  |
|       |            |                                |      | 1           | Interrupt Mode.   |
| 8     | SD         | Shutdown Mode                  | R/W  | 0           | Temperature Sensor Performing Active Measurements (Default)           |
|       |            |                                |      | 1           | Temperature Sensor Disabled and Device In Shutdown Mode.              |
| 7:1   | <i>RFU</i> | <i>Reserved for Future Use</i> | R    | 0           | Reserved for Future Use   |
| 0     | NVRBSY     | Nonvolatile Registers Busy     | R    | 0           | Nonvolatile Registers are ready for access.                           |
|       |            |                                |      | 1           | Nonvolatile Registers are busy and cannot be read from or written to. |

To set the value of the Configuration Register, the Master must first initiate a Start condition followed by the AT30TSE752/754/758 device address byte (1001AAA0 where “AAA” corresponds to the hard-wired A<sub>2-0</sub> address pins). After the AT30TSE752/754/758 has received the proper address byte, the device will send an ACK to the Master. The Master must then send the appropriate Pointer Register byte of 01h to select the Configuration Register. After the Pointer Register byte of 01h has been sent, the AT30TSE752/754/758 will send another ACK to the Master. After receiving the ACK from the AT30TSE752/754/758, the Master must then send the appropriate data byte to the AT30TSE752/754/758 to set the value of the Configuration Register. Only the first data byte sent to the AT30TSE752/754/758 will be recognized as valid data; any subsequent bytes received by the device will simply be ignored. If the Master does not send a complete byte of Configuration Register data prior to issuing a Stop or repeated Start condition, then the AT30TSE752/754/758 will ignore the data and the contents of the Configuration Register will be unchanged.

In addition to the Master not sending a complete byte of Configuration Register data, writing to the Configuration Register will be ignored and no operation will be performed if the Volatile and Nonvolatile Registers are currently locked (the RLCK bit of the Nonvolatile Configuration Register is in the Logic 1 state) or the Volatile and Nonvolatile Registers are permanently locked down (the RLCKDWN bit of the Nonvolatile Configuration Register is in the Logic 1 state). However, the device will still respond with an ACK to indicate that it received the proper data byte even though the contents of the Configuration Register will not be changed.

Updating the Configuration Register, whether actually changing the Fault Tolerance Queue setting or not, will clear the internal fault counter and reset the count back to zero.

### 6.3.1 OS Bit

The OS bit is used to enable the One-Shot Temperature Measurement mode. When a Logic 1 is written to the OS bit while the AT30TSE752/754/758 is in the Shutdown mode, the device will become active and perform a single temperature measurement and conversion. After the Temperature Register has been updated with the measured temperature data, the device will return to the low-power Shutdown mode and clear the OS bit.

Writing a one to the OS bit when the device is not in the Shutdown mode will have no effect. When reading the Configuration Register, the OS bit will always be read as a Logic 0.

### 6.3.2 R1:R0 Bits

The R1 and R0 bits are used to select the conversion resolution of the internal sigma-delta ADC. Four possible resolutions can be set to maximize for either higher resolution or faster conversion times. The R1 and R0 bits will be copied from the NVR1 and NVR0 in the Nonvolatile Configuration Register after device power-up or reset, allowing the device to retain the conversion resolution that was previously set by the Nonvolatile Configuration Register prior to power-down or reset.

**Table 6-6. Conversion Resolution**

| R1 | R0 | Conversion Resolution |          | Conversion Time |
|----|----|-----------------------|----------|-----------------|
| 0  | 0  | 9 bits                | 0.5000°C | 25ms            |
| 0  | 1  | 10 bits               | 0.2500°C | 50ms            |
| 1  | 0  | 11 bits               | 0.1250°C | 100ms           |
| 1  | 1  | 12 bits               | 0.0625°C | 200ms           |

### 6.3.3 FT1:FT0 Bits

The FT1 and FT0 bits are used to set the fault tolerance queue value which defines how many consecutive faults must occur before the ALERT pin will be activated (see [Section 5.2.1 “Fault Tolerance Limits” on page 11](#)). The FT1 and FT0 bit settings provide four different fault values as detailed in [Table 6-7](#). After the device powers up or resets, the FT1 and FT0 bits will be copied from the NVFT1 and NVFT0 in the Nonvolatile Configuration Register; therefore, the fault tolerance queue value will default to whatever value was previously stored in the Nonvolatile Configuration Register prior to Configuration Register power-down or reset.

**Table 6-7. Fault Tolerance Queue**

| FT1 | FT0 | Consecutive Faults Required |
|-----|-----|-----------------------------|
| 0   | 0   | 1                           |
| 0   | 1   | 2                           |
| 1   | 0   | 4                           |
| 1   | 1   | 6                           |

### 6.3.4 POL Bit

The ALERT pin polarity is controlled by the POL bit. When the POL bit is in the Logic 0 state, the ALERT pin will be an active low output. To configure the ALERT pin as an active high output, the POL bit must be set to the Logic 1 state.

After the device powers up or resets, the POL bit will be copied from the NVPOL bit in the Nonvolatile Configuration Register; therefore, the polarity of the ALERT pin will default to the state defined by the Nonvolatile Configuration Register prior to power-down or reset.

### 6.3.5 CMP/INT Bit

The CMP/INT bit controls whether the device will operate in the Comparator mode or the Interrupt mode. Setting the CMP/INT bit to the Logic 0 state will put the device into the Comparator mode. Alternatively, when the CMP/INT bit is set to the Logic 1 state, then the device will operate in the Interrupt mode. The function of the ALERT pin changes based on the CMP/INT bit setting.

The CMP/INT bit will be copied from the NVCMP/INT bit in the Nonvolatile Configuration Register after the device powers up or resets. Since the CMP/INT bit is copied from the NVCMP/INT bit, the device will default to whatever mode was selected by the Nonvolatile Configuration Register prior to power-down or reset.

### 6.3.6 SD Bit

The SD bit is used to enable or disable the device's Shutdown mode. When the SD bit is in the Logic 0 state, the device will be in the normal operational mode and perform continuous temperature measurements and conversions. When the SD bit is set to the Logic 1 state, the device will finish the current temperature measurement and conversion and will store the result in the Temperature Register, after which the device will then enter the Shutdown mode.

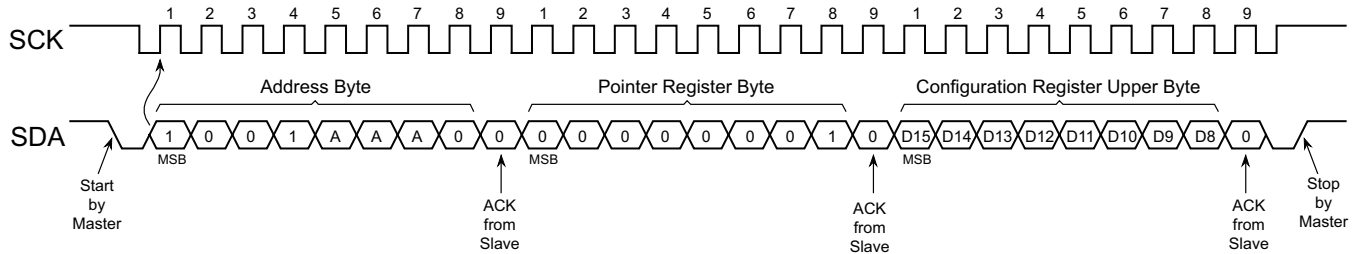
Resetting the SD bit back to a Logic 0 will return the device to the normal operating mode.

After the device powers up or resets, the SD bit will be copied from the NVSD bit in the Nonvolatile Configuration Register. Therefore, it is possible for the device to automatically enter the Shutdown mode after power-up or reset by setting the NVSD bit to the Logic 1 state prior to power-down or reset. See [Section 5.3 “Shutdown Mode” on page 14](#) for more details.

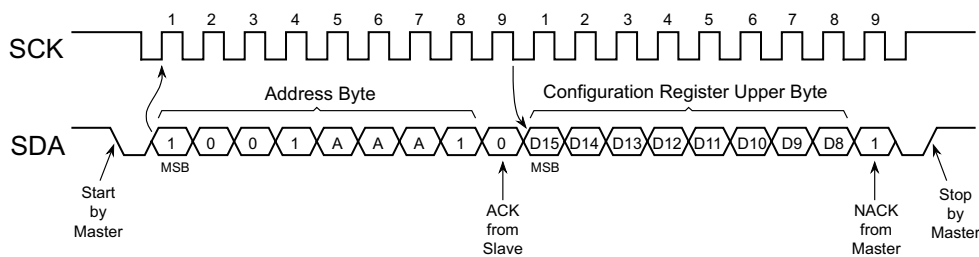
### 6.3.7 NVRBSY

The Ready/Busy status of the Nonvolatile Configuration Register, Nonvolatile  $T_{LOW}$  Limit Register, and Nonvolatile  $T_{HIGH}$  Limit Register can be determined by reading the NVRBSY bit. When the NVRBSY bit is in the Logic 0 state, then the Nonvolatile Configuration and Limit Registers are available to be read from or written to. When the NVRBSY bit is in the Logic 1 state, the Nonvolatile Registers are busy and cannot be accessed for reading, writing, or copying. Attempting to read the Nonvolatile Registers while the registers are busy will result in erroneous data being output. Similarly, any attempts to write to one of the Nonvolatile Registers while the NVRBSY bit is in the Logic 1 state will result in the data being ignored. Both the copy Nonvolatile Registers to Volatile Registers and the copy Volatile Registers to Nonvolatile Registers commands will also be ignored when the NVRBSY bit is in the Logic 1 state. For more details and a complete list of commands that are and are not allowed while NVRBSY is in the Logic 1 state, see [Section 8. “Operations Allowed During Nonvolatile Busy Status”](#) on page 32.

**Figure 6-4. Write to Configuration Register**



**Figure 6-5. Read from Configuration Register**



Note: Assumes the Pointer Register was previously set to point to the Configuration Register.

## 6.4 Nonvolatile Configuration Register

The Nonvolatile Configuration Register is a 16-bit wide Read/Write Register used to manage key power-up/reset device settings and operational modes including the locking of the AT30TSE752/754/758's various registers. The Nonvolatile Configuration Register is used in conjunction with the Configuration Register to control how the device operates. All bits in the Nonvolatile Configuration Register will retain their state even after the device has been powered down or reset. On every power up or reset sequence, the contents of the most-significant byte (bits 15 through 8) of the Nonvolatile Configuration Register will be copied into the Configuration Register, after which all device operations and settings will then be controlled by the Configuration Register. By utilizing the Nonvolatile Configuration Register, the device can power-up or reset in a pre-defined, user-selected operating mode (e.g. Comparator mode, Shutdown mode, etc.) with pre-defined settings (e.g. 12-bit resolution, ALERT pin active high, etc.). Therefore, unlike standard LM75-type temperature sensors, there is no need to update the Configuration Register settings after every power-up or reset.

Since the Nonvolatile Configuration Register utilizes nonvolatile storage cells, care must be taken when updating the register to accommodate the aspects of an associated program time and finite program endurance limit. Power must not be removed from the device during the internally self-timed programming cycle of the register. If power is removed prior to the completion of the programming cycle, then the contents of the register cannot be guaranteed. In addition, the contents of the register may become corrupt if it is programmed more than the maximum allowed number of writes.

**Table 6-8. Nonvolatile Configuration Register**

| Bit   | Name        |                         | Type | Description  |
|-------|-------------|-------------------------|------|--|
| 15    | NU          | Not Used                | R    | 0 Not used.  |
| 14:13 | NVR1:NVR0   | Conversion Resolution   | R/W  | 00 9-bits (Factory Default)  |
|       |             |                         |      | 01 10-bits   |
|       |             |                         |      | 10 11-bits   |
|       |             |                         |      | 11 12-bits   |
| 12:11 | NVFT1:NVFT0 | Fault Tolerance Queue   | R/W  | 00 Alarm after 1 Fault (Factory Default).  |
|       |             |                         |      | 01 Alarm after 2 Consecutive Faults.   |
|       |             |                         |      | 10 Alarm after 4 Consecutive Faults.   |
|       |             |                         |      | 11 Alarm after 6 Consecutive Faults.   |
| 10    | NVPOL       | ALERT Pin Polarity      | R/W  | 0 ALERT Pin is Active Low (Factory Default).   |
|       |             |                         |      | 1 ALERT Pin is Active High.  |
| 9     | NVCMP/INT   | Alarm Thermostat Mode   | R/W  | 0 Comparator Mode (Factory Default).   |
|       |             |                         |      | 1 Interrupt Mode.  |
| 8     | NVSD        | Shutdown Mode           | R/W  | 0 Temperature Sensor Performing Active Measurements (Factory Default).                                     |
|       |             |                         |      | 1 Temperature Sensor Disabled and Device in Shutdown mode.   |
| 7:3   | RFU         | Reserved for Future Use |      | 0 Reserved for Future Use.   |
| 2     | RLCKDWN     | Register Lockdown       | R/W  | 0 All Configuration and Limit Registers are not locked down (Factory Default).                             |
|       |             |                         |      | 1 All Configuration and Limit Registers are permanently locked down (ROM) and can never be modified again. |
| 1     | RLCK        | Register Lock           | R/W  | 0 All Configuration and limit registers are unlocked and can be modified (Factory Default).                |
|       |             |                         |      | 1 All Configuration and Limit Registers are locked and cannot be modified.                                 |
| 0     | RFU         | Reserved for Future Use | R    | 0 Reserved for Future Use.   |



To set the value of the Nonvolatile Configuration Register, the Master must first initiate a Start condition followed by the AT30TSE752/754/758 device address byte (1001AAA0 where “AAA” corresponds to the hard-wired A<sub>2-0</sub> address pins). After the AT30TSE752/754/758 has received the proper address byte, the device will send an ACK to the Master. The Master must then send the appropriate Pointer Register byte of 11h to select the Nonvolatile Configuration Register. After the Pointer Register byte of 11h has been sent, the AT30TSE752/754/758 will send another ACK to the Master. After receiving the ACK from the AT30TSE752/754/758, the Master must then send two data bytes to the AT30TSE752/754/758 to set the value of the Nonvolatile Configuration Register. Any subsequent bytes sent to the AT30TSE752/754/758 will simply be ignored by the device. If the Master does not send two complete bytes of Nonvolatile Configuration Register data prior to issuing a Stop or repeated Start condition, then the AT30TSE752/754/758 will ignore the data and the contents of the Nonvolatile Configuration Register will not be changed.

After the Master has issued a Stop or repeated Start condition, the AT30TSE752/754/758 will begin the internally self-timed program operation, and the contents of the Nonvolatile Configuration Register will be updated within a time of  $t_{\text{PROG}}$ . During this time, the NVRBSY bit in the Configuration Register will indicate that the device is busy. If the Master issues a repeated Start condition instead of a Stop condition, the AT30TSE752/754/758 will abort the operation and the contents of the Nonvolatile Configuration Register will not be changed.

In addition to the Master not sending two complete bytes of data, writing to the Nonvolatile Configuration Register will be ignored and no operation will be performed under the following conditions: the Nonvolatile Registers are already busy (the NVRBSY bit of the Configuration Register is in the Logic 1 state), the Volatile and Nonvolatile Registers are currently locked (the RLCK bit of the Nonvolatile Configuration Register is in the Logic 1 state), or the Volatile and Nonvolatile Registers are permanently locked down (the RLCKDWN bit of the Nonvolatile Configuration Register is in the Logic 1 state). However, the device will still respond with an ACK, except in the case of the Nonvolatile Registers being busy, to indicate that it received the proper data bytes even though the program operation will not be performed. In the case of the Nonvolatile Registers being busy, the device will respond with an ACK to the address and pointer bytes but will then NACK when the data bytes are sent from the Master.

#### 6.4.1 NVR1: NVR0 Bits

The nonvolatile NVR1 and NVR0 bits are used to select the power-up/reset default conversion resolution of the internal sigma-delta ADC. Four possible resolutions can be set to maximize for either higher resolution or faster conversion times. The NVR1 and NVR0 bits are set from the factory to default to the Logic 0 state to retain backwards compatibility to industry-standard LM75-type devices.

**Table 6-9. Conversion Resolution**

| NVR1 | NVR0 | Conversion Resolution |          | Conversion Time |
|------|------|-----------------------|----------|-----------------|
| 0    | 0    | 9 bits                | 0.5°C    | 25ms            |
| 0    | 1    | 10 bits               | 0.25°C   | 50ms            |
| 1    | 0    | 11 bits               | 0.125°C  | 100ms           |
| 1    | 1    | 12 bits               | 0.0625°C | 200ms           |



## 6.4.2 NVFT1:NVFT0 Bits

The nonvolatile NVFT1 and NVFT0 bits are used to set the power-up/reset default Fault Tolerance Queue value which defines how many consecutive faults must occur before the ALERT pin will be activated (see [Section 5.2.1 “Fault Tolerance Limits” on page 11](#)). The NVFT1 and NVFT0 bit settings provide four different fault values as detailed in [Table 6-10](#). Both the NVFT1 and NVFT0 bits are factory-set to default to the Logic 0 state.

**Table 6-10. Fault Tolerance Queue**

| NVFT1 | NVFT0 | Consecutive Faults Required |
|-------|-------|-----------------------------|
| 0     | 0     | 1                           |
| 0     | 1     | 2                           |
| 1     | 0     | 4                           |
| 1     | 1     | 6                           |

## 6.4.3 NVPOL Bit

The nonvolatile NVPOL bit controls the power-up/reset default ALERT pin polarity. When the NVPOL bit is set to the Logic 0 state, the ALERT pin will be an active low output after the device powers up or resets. Conversely, when the NVPOL bit is set to the Logic 1 state, the ALERT pin will be an active high output. The NVPOL bit is set from the factory to default to the Logic 0 state.

## 6.4.4 NVCMP/INT Bit

The nonvolatile NVCMP/INT bit controls whether the device will operate in the Comparator mode or the Interrupt mode after a power-up or reset sequence. Setting the NVCMP/INT bit to the Logic 0 state (the factory default setting) will allow the device to power-up/reset in the Comparator mode. Alternatively, when the NVCMP/INT bit is set to the Logic 1 state, the device will power-up/reset in the Interrupt mode.

## 6.4.5 NVSD Bit

The nonvolatile NVSD bit is used to enable the device to power-up/reset in the Shutdown mode. When the NVSD bit is in the Logic 0 state, the device will power-up/reset in the normal operational mode and perform continuous temperature measurements and conversions. When the NVSD bit is set to the Logic 1 state, the device will automatically enter the Shutdown mode after a power-up or reset sequence (see [Section 5.3 “Shutdown Mode” on page 14](#) for more details). The NVSD bit is factory-set to the Logic 0 state.

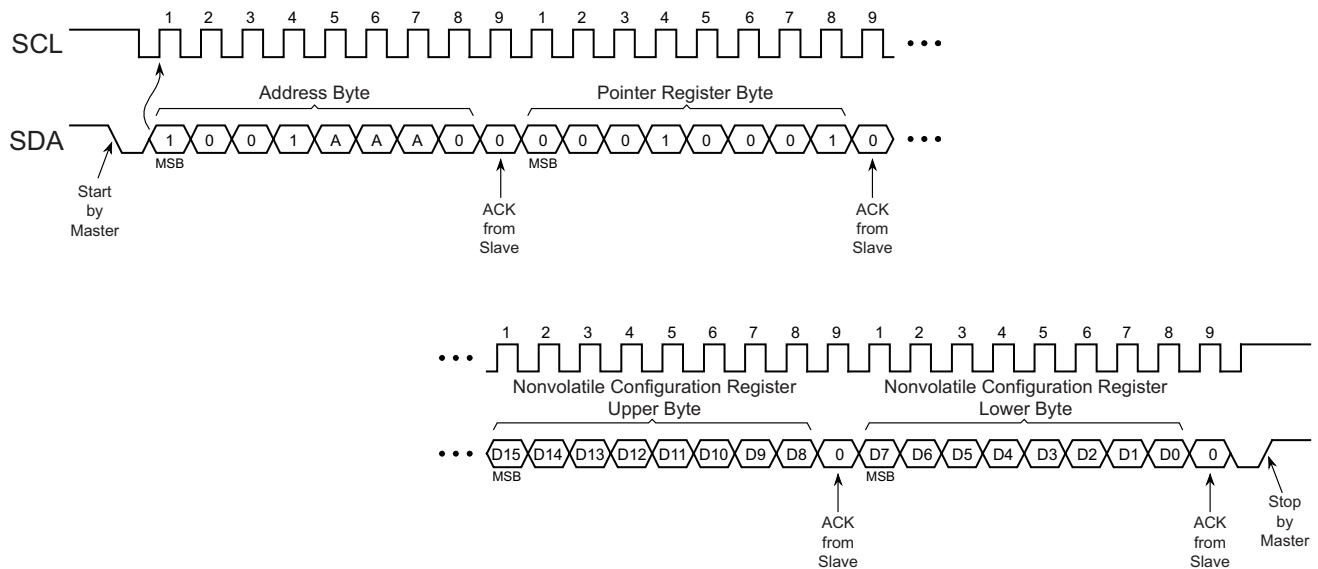
## 6.4.6 RLCKDWN

The one-time programmable RLCKDWN bit controls whether or not both the volatile and nonvolatile versions of the configuration and limit registers will be permanently locked down. Once the RLCKDWN bit is set to the Logic 1 state, the Configuration Register,  $T_{LOW}$  Limit Register,  $T_{HIGH}$  Limit Register, Nonvolatile Configuration Register, Nonvolatile  $T_{LOW}$  Limit Register, and Nonvolatile  $T_{HIGH}$  Limit Register will be locked down and can never be modified again. Since the RLCKDWN bit is one-time programmable, once the bit is set to the Logic 1 state, it cannot be reset again. The RLCKDWN bit takes priority over the RLCK bit (see [Section 7. “Register Locking” on page 31](#) for more details) and is factory-set to the Logic 0 state.

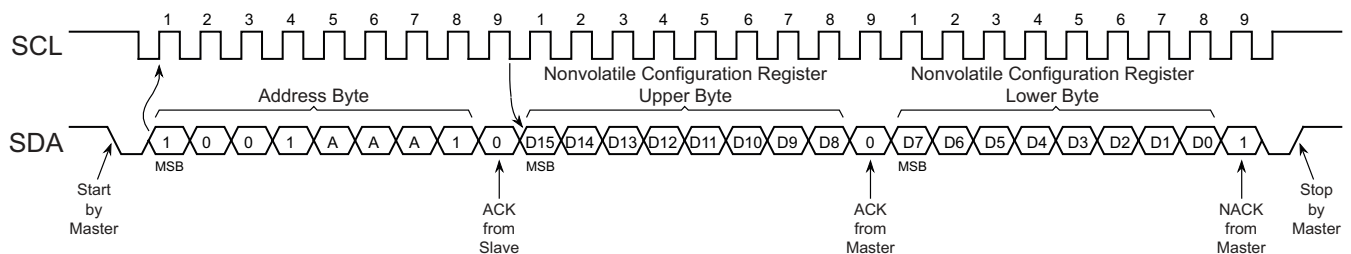
## 6.4.7 RLCK

The nonvolatile RLCK bit controls the reversible locking of both the Volatile and Nonvolatile Configuration and Limit Registers. When the RLCK bit is set to the Logic 0 state, the Configuration Register,  $T_{LOW}$  Limit Register,  $T_{HIGH}$  Limit Register, Nonvolatile Configuration Register, Nonvolatile  $T_{LOW}$  Limit Register, and Nonvolatile  $T_{HIGH}$  Limit Register will be unlocked and can be modified. Alternatively, when the RLCK bit is set to the Logic 1 state, the Volatile and Nonvolatile Configuration and Limit Registers will be locked and cannot be modified. When the registers are locked, only the RLCK bit of the Nonvolatile Configuration Register can be altered and reset back to a Logic 0. Any attempts at changing other bits in the Nonvolatile Configuration Register will be ignored. The RLCK bit is set from the factory to default to the Logic 0 state. See Section 7. “Register Locking” on page 31 for more details.

**Figure 6-6. Write to Nonvolatile Configuration Register**



**Figure 6-7. Read from Nonvolatile Configuration Register**



Note: Assumes the Pointer Register was previously set to point to the Nonvolatile Configuration Register.

## 6.5 T<sub>LOW</sub> and T<sub>HIGH</sub> Limit Registers

The 16-bit T<sub>LOW</sub> and T<sub>HIGH</sub> Limit Registers store the user-programmable lower and upper temperature limits for the temperature alarm. Like the Temperature Register, the temperature data values of the T<sub>LOW</sub> and T<sub>HIGH</sub> Limit Registers are stored in the twos complement format with the MSB (bit 15) of the registers containing the sign bit (zero indicates a positive number and a one indicates a negative number).

As with the Temperature Register, the resolution selected by the R1 and R0 bits of the Configuration Register will determine how many bits of the T<sub>LOW</sub> and T<sub>HIGH</sub> Limit Registers will be used. Therefore, when writing to the T<sub>LOW</sub> and T<sub>HIGH</sub> Limit Registers, up to 12 bits of data will be recognized by the device with the remaining LSBs being internally fixed to the Logic 0 state. Similarly, when reading from the registers, up to 12 bits of data will be output from the device with the remaining LSBs fixed in the Logic 0 state.

**Table 6-11. T<sub>LOW</sub> Limit Register and T<sub>HIGH</sub> Limit Register Format**

| Resolution | Upper Byte |        |        |        |        |        |       |       | Lower Byte |       |       |       |       |       |       |       |
|------------|------------|--------|--------|--------|--------|--------|-------|-------|------------|-------|-------|-------|-------|-------|-------|-------|
|            | Bit 15     | Bit 14 | Bit 13 | Bit 12 | Bit 11 | Bit 10 | Bit 9 | Bit 8 | Bit 7      | Bit 6 | Bit 5 | Bit 4 | Bit 3 | Bit 2 | Bit 1 | Bit 0 |
| 12 bits    | Sign       | TD     | TD     | TD     | TD     | TD     | TD    | TD    | TD         | TD    | TD    | TD    | 0     | 0     | 0     | 0     |
| 11 bits    | Sign       | TD     | TD     | TD     | TD     | TD     | TD    | TD    | TD         | TD    | TD    | 0     | 0     | 0     | 0     | 0     |
| 10 bits    | Sign       | TD     | TD     | TD     | TD     | TD     | TD    | TD    | TD         | TD    | 0     | 0     | 0     | 0     | 0     | 0     |
| 9 bits     | Sign       | TD     | TD     | TD     | TD     | TD     | TD    | TD    | TD         | 0     | 0     | 0     | 0     | 0     | 0     | 0     |

Note: TD = Temperature Data

To set the value of either the T<sub>LOW</sub> or T<sub>HIGH</sub> Limit Register, the Master must first initiate a Start condition followed by the AT30TSE752/754/758 device address byte (1001AAA0 where “AAA” corresponds to the hard-wired A<sub>2-0</sub> address pins). After the AT30TSE752/754/758 has received the proper address byte, the device will send an ACK to the Master. The Master must then send the appropriate Pointer Register byte of 02h to select the T<sub>LOW</sub> Limit Register or 03h to select the T<sub>HIGH</sub> Limit Register. After the Pointer Register byte has been sent, the AT30TSE752/754/758 will send another ACK to the Master. After receiving the ACK from the AT30TSE752/754/758, the Master must then send two data bytes to the AT30TSE752/754/758 to set the value of the T<sub>LOW</sub> or T<sub>HIGH</sub> Limit Register. Any subsequent bytes sent to the AT30TSE752/754/758 will simply be ignored by the device. If the Master does not send two complete bytes of data prior to issuing a Stop or repeated Start condition, then the AT30TSE752/754/758 will ignore the data and the contents of the register will not be changed.

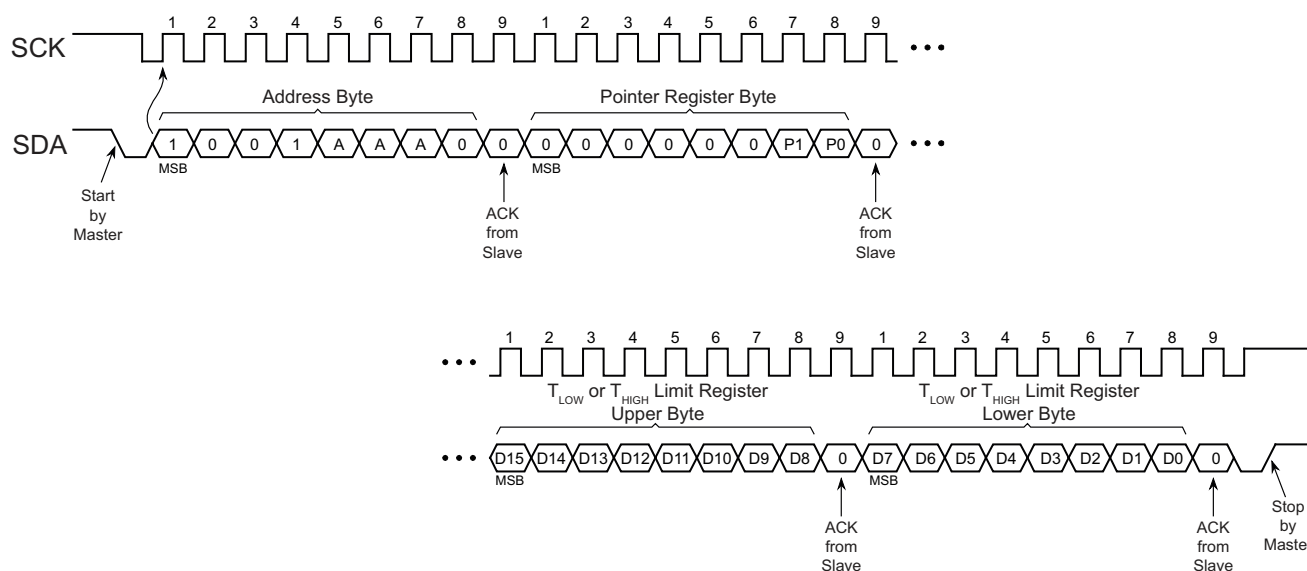
In addition to the Master not sending two complete bytes of data, writing to the T<sub>LOW</sub> or T<sub>HIGH</sub> Limit Register will be ignored and no operation will be performed under the following conditions: the Nonvolatile Registers are busy because of a copy operation (the NVRBSY bit of the Configuration Register is in the Logic 1 state), the Volatile and Nonvolatile Registers are currently locked (the RLCK bit of the Nonvolatile Configuration Register is in the Logic 1 state), or the Volatile and Nonvolatile Registers are permanently locked down (the RLCKDWN bit of the Nonvolatile Configuration Register is in the Logic 1 state). However, the device will still respond with an ACK, except in the case of the Nonvolatile Registers being busy, to indicate that it received the proper data bytes even though the contents of the T<sub>LOW</sub> or T<sub>HIGH</sub> Limit Register will not be changed. In the case of the Nonvolatile Registers being busy, the device will respond with an ACK to the address and pointer bytes but will then NACK when the data bytes are sent from the Master.

In order to read the T<sub>LOW</sub> or T<sub>HIGH</sub> Limit Register, the Pointer Register must be set or have been previously set to 02h to select the T<sub>LOW</sub> Limit Register or 03h to select the T<sub>HIGH</sub> Limit Register (if the previous operation was a Write to one of the registers, then the Pointer Register will already be set for that particular limit register). If the Pointer Register has already been set appropriately, the T<sub>LOW</sub> or T<sub>HIGH</sub> Limit Register can be read by having the Master first initiate a Start condition followed by the AT30TSE752/754/758 device address byte (1001AAA1 where “AAA” corresponds to the hard-wired A<sub>2-0</sub> address pins). After the AT30TSE752/754/758 has received the proper address byte, the device will send an ACK to the Master. The Master can then read the upper byte of the T<sub>LOW</sub> or T<sub>HIGH</sub> Limit Register. After the upper byte of the register has been clocked out of the AT30TSE752/754/758, the Master must send an ACK to indicate that it is ready for the lower

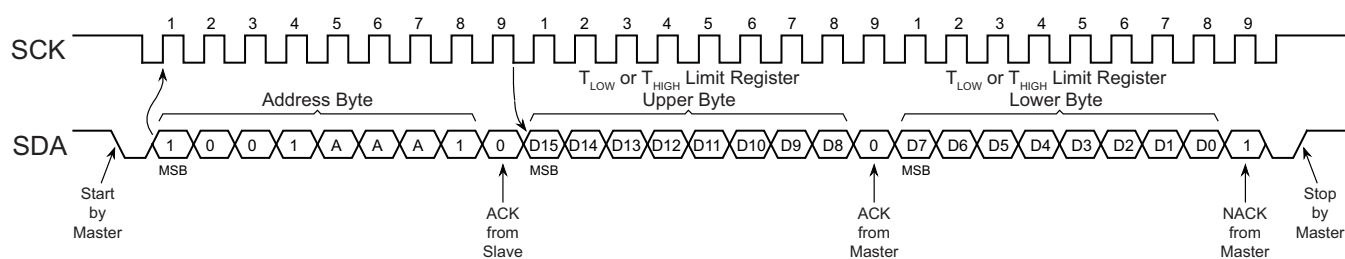
byte of data. The AT30TSE752/754/758 will then clock out the lower byte of the register, after which the Master must send a NACK to end the operation. When the AT30TSE752/754/758 receives the NACK, it will release the SDA line so that the Master can send a Stop or repeated Start condition. If the Master does not send a NACK but instead sends an ACK after the lower byte of the register has been clocked out, then the device will repeat the sequence by outputting the data again starting with the upper byte of the register.

After the device powers up or resets, both the  $T_{LOW}$  and  $T_{HIGH}$  Limit Register values will be copied from the Nonvolatile  $T_{LOW}$  and  $T_{HIGH}$  Limit Registers; therefore, the  $T_{LOW}$  and  $T_{HIGH}$  Limit Register values will default to whatever value was previously stored in the Nonvolatile  $T_{LOW}$  and  $T_{HIGH}$  Limit Registers prior to power-down or reset. The value of the high temperature limit stored in the  $T_{HIGH}$  Limit Register must be greater than the value of the low temperature limit stored in the  $T_{LOW}$  Limit Register in order for the ALERT function to work properly; otherwise, the ALERT pin will output erroneous results and will falsely signal temperature alarms.

**Figure 6-8. Write to  $T_{LOW}$  or  $T_{HIGH}$  Limit Register**



**Figure 6-9. Read from  $T_{LOW}$  or  $T_{HIGH}$  Limit Register**



Note: Assumes the Pointer Register was previously set to point to the  $T_{LOW}$  or  $T_{HIGH}$  Limit Register.

## 6.6 Nonvolatile T<sub>LOW</sub> and T<sub>HIGH</sub> Limit Registers

The 16-bit Nonvolatile T<sub>LOW</sub> and T<sub>HIGH</sub> Limit Registers store the power-up/reset default values for the volatile versions of the T<sub>LOW</sub> and T<sub>HIGH</sub> Limit Registers. Like their volatile counterparts, the temperature data values of the Nonvolatile T<sub>LOW</sub> and T<sub>HIGH</sub> Limit Registers are stored in the twos complement format with the MSB (bit 15) of the registers containing the sign bit (zero indicates a positive number and a one indicates a negative number).

The values stored in both the Nonvolatile T<sub>LOW</sub> and T<sub>HIGH</sub> Limit Registers will be retained even after the device has been powered down or reset. On every power-up or reset sequence, the contents of the Nonvolatile T<sub>LOW</sub> Limit Register will be copied into the T<sub>LOW</sub> Limit Register, and the contents of the Nonvolatile T<sub>HIGH</sub> Limit Register will be copied into the T<sub>HIGH</sub> Limit Register. All temperature limit comparisons for the temperature alarm will be done using the volatile versions of the T<sub>LOW</sub> and T<sub>HIGH</sub> Limit Registers. By utilizing the Nonvolatile T<sub>LOW</sub> and T<sub>HIGH</sub> Limit Registers, the device can power-up or reset with pre-defined temperature limits specific to the particular application. Therefore, unlike standard LM75-type temperature sensors, there is no need to update the lower and upper temperature limit values after every power-up or reset.

Like the Nonvolatile Configuration Register, the Nonvolatile T<sub>LOW</sub> and T<sub>HIGH</sub> Limit Registers utilize nonvolatile storage cells, so the same care must be taken when updating the registers to accommodate for the associated program time and finite program endurance limit. Power must not be removed from the device during the internally self-timed programming cycle of the registers. If power is removed prior to the completion of the programming cycle, then the contents of the register being updated cannot be guaranteed. In addition, the contents of the register may become corrupt if it is programmed more than the maximum allowed number of writes.

As with the Temperature Register, the resolution selected by the R1 and R0 bits of the Configuration Register will determine how many bits of the T<sub>LOW</sub> and T<sub>HIGH</sub> Limit Registers will be used. Therefore, when writing to the T<sub>LOW</sub> and T<sub>HIGH</sub> Limit Registers, up to 12 bits of data will be recognized by the device with the remaining LSBs being internally fixed to the Logic 0 state. Similarly, when reading from the T<sub>LOW</sub> and T<sub>HIGH</sub> Limit Registers, up to 12 bits of data will be output from the device with the remaining LSBs fixed in the Logic 0 state.

**Table 6-12. Nonvolatile T<sub>LOW</sub> Limit Register and T<sub>HIGH</sub> Limit Register Format**

| Resolution | Upper Byte |        |        |        |        |        |       |       | Lower Byte |       |       |       |       |       |       |       |
|------------|------------|--------|--------|--------|--------|--------|-------|-------|------------|-------|-------|-------|-------|-------|-------|-------|
|            | Bit 15     | Bit 14 | Bit 13 | Bit 12 | Bit 11 | Bit 10 | Bit 9 | Bit 8 | Bit 7      | Bit 6 | Bit 5 | Bit 4 | Bit 3 | Bit 2 | Bit 1 | Bit 0 |
| 12 bits    | Sign       | TD     | TD     | TD     | TD     | TD     | TD    | TD    | TD         | TD    | TD    | TD    | 0     | 0     | 0     | 0     |
| 11 bits    | Sign       | TD     | TD     | TD     | TD     | TD     | TD    | TD    | TD         | TD    | TD    | 0     | 0     | 0     | 0     | 0     |
| 10 bits    | Sign       | TD     | TD     | TD     | TD     | TD     | TD    | TD    | TD         | TD    | 0     | 0     | 0     | 0     | 0     | 0     |
| 9 bits     | Sign       | TD     | TD     | TD     | TD     | TD     | TD    | TD    | TD         | 0     | 0     | 0     | 0     | 0     | 0     | 0     |

Note: TD = Temperature Data

To set the value of either the Nonvolatile T<sub>LOW</sub> or T<sub>HIGH</sub> Limit Register, the Master must first initiate a Start condition followed by the AT30TSE752/754/758 device address byte (1001AAA0 where “AAA” corresponds to the hard-wired A<sub>2-0</sub> address pins). After the AT30TSE752/754/758 has received the proper address byte, the device will send an ACK to the Master. The Master must then send the appropriate Pointer Register byte of 12h to select the Nonvolatile T<sub>LOW</sub> Limit Register or 13h to select the Nonvolatile T<sub>HIGH</sub> Limit Register. After the Pointer Register byte has been sent, the AT30TSE752/754/758 will send another ACK to the Master. After receiving the ACK from the AT30TSE752/754/758, the Master must then send two data bytes to the AT30TSE752/754/758 to set the value of the Nonvolatile T<sub>LOW</sub> or T<sub>HIGH</sub> Limit Register. Any subsequent bytes sent to the AT30TSE752/754/758 will simply be ignored by the device. If the Master does not send two complete bytes of data prior to issuing a Stop or repeated Start condition, then the AT30TSE752/754/758 will ignore the data and the contents of the register will not be changed.

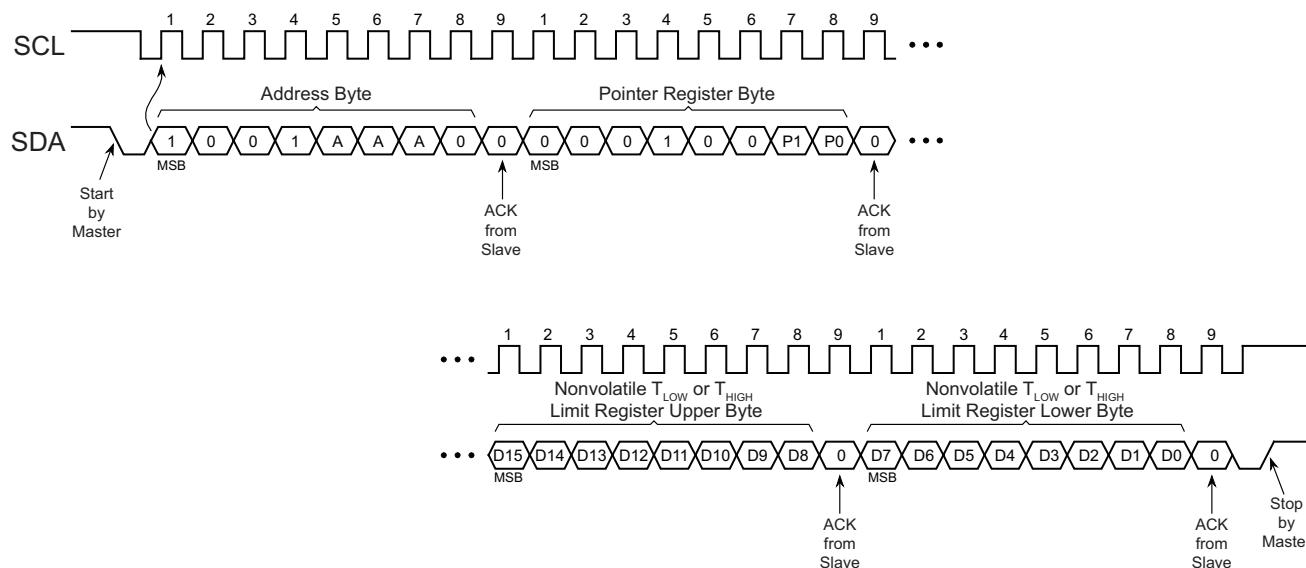
After the Master has issued a Stop condition, the AT30TSE752/754/758 will begin the internally self-timed program operation, and the contents of the Nonvolatile  $T_{LOW}$  or  $T_{HIGH}$  Limit Register will be updated within a time of  $t_{PROG}$ . During this time, the NVRBSY bit of the Configuration Register will indicate that the device is busy. If the Master issues a repeated Start condition instead of a Stop condition, the AT30TSE752/754/758 will abort the operation and the contents of the Nonvolatile  $T_{LOW}$  or  $T_{HIGH}$  Limit Register will not be changed.

In addition to the Master not sending two complete bytes of data, writing to the Nonvolatile  $T_{LOW}$  or  $T_{HIGH}$  Limit Register will be ignored and no operation will be performed under the following conditions: the Nonvolatile Registers are already busy (the NVRBSY bit of the Configuration Register is in the Logic 1 state), the Volatile and Nonvolatile Registers are currently locked (the RLCK bit of the Nonvolatile Configuration Register is in the Logic 1 state), or the Volatile and Nonvolatile Registers are permanently locked down (the RLCKDWN bit of the Nonvolatile Configuration Register is in the Logic 1 state). However, the device will still respond with an ACK, except in the case of the Nonvolatile Registers being busy, to indicate that it received the proper data bytes even though the program operation will not be performed. In the case of the Nonvolatile Registers being busy, the device will respond with an ACK to the address and pointer bytes but will then NACK when the data bytes are sent from the Master.

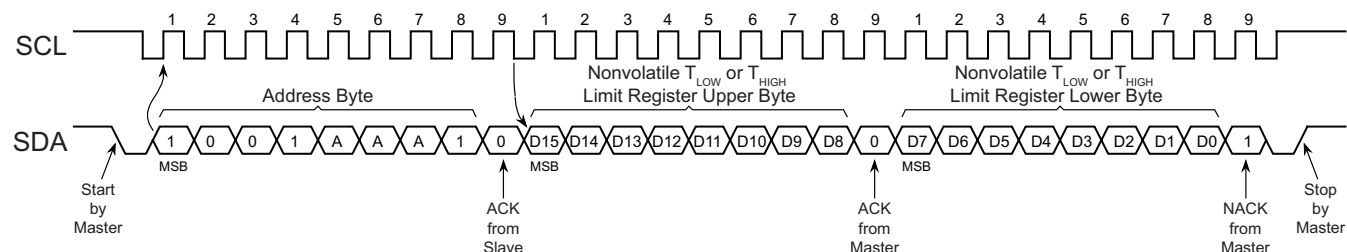
In order to read the Nonvolatile  $T_{LOW}$  or  $T_{HIGH}$  Limit Register, the Pointer Register must be set or have been previously set to 12h to select the Nonvolatile  $T_{LOW}$  Limit Register or 13h to select the Nonvolatile  $T_{HIGH}$  Limit Register (if the previous operation was a Write to one of the registers, then the Pointer Register will already be set for that particular limit register). If the Pointer Register has already been set appropriately, the Nonvolatile  $T_{LOW}$  or  $T_{HIGH}$  Limit Register can be read by having the Master first initiate a Start condition followed by the AT30TSE752/754/758 device address byte (1001AAA1 where “AAA” corresponds to the hard-wired  $A_{2-0}$  address pins). After the AT30TSE752/754/758 has received the proper address byte, the device will send an ACK to the Master. The Master can then read the upper byte of the Nonvolatile  $T_{LOW}$  or  $T_{HIGH}$  Limit Register. After the upper byte of the register has been clocked out of the AT30TSE752/754/758, the Master must send an ACK to indicate that it is ready for the lower byte of data. The AT30TSE752/754/758 will then clock out the lower byte of the register, after which the Master must send a NACK to end the operation. When the AT30TSE752/754/758 receives the NACK, it will release the SDA line so that the Master can send a Stop or repeated Start condition. If the Master does not send a NACK but instead sends an ACK after the lower byte of the register has been clocked out, then invalid data will be output by the device.

The Nonvolatile  $T_{LOW}$  Limit Register is factory-set to default to 4B00h (+75°C) and the Nonvolatile  $T_{HIGH}$  Limit Register is set to default to 5000h (+80°C); therefore, both registers will need to be modified if these default temperature limits are not satisfactory for the application.

**Figure 6-10. Write to Nonvolatile  $T_{LOW}$  or  $T_{HIGH}$  Limit Register**



**Figure 6-11. Read to Nonvolatile T<sub>LOW</sub> or T<sub>HIGH</sub> Limit Register**



Note: Assumes the Pointer Register was previously set to point to the Nonvolatile T<sub>LOW</sub> or T<sub>HIGH</sub> Limit Register.

## 7. Register Locking

All Volatile and Nonvolatile Configuration and Limit Registers (the Configuration Register, T<sub>LOW</sub> Limit Register, T<sub>HIGH</sub> Limit Register, Nonvolatile Configuration Register, Nonvolatile T<sub>LOW</sub> Limit Register, and Nonvolatile T<sub>HIGH</sub> Limit Register) can be locked from data changes by utilizing the RLCK bit in the Nonvolatile Configuration Register. This provides the ability to lock the registers and protect them from inadvertent or erroneous data changes, giving system designers a more robust and secure temperature sensing solution compared to other industry devices. The RLCK bit can be reset so that the various registers can be modified if needed. Resetting of the RLCK bit is done by writing to the Nonvolatile Configuration Register and changing the RLCK bit back to a Logic 0 state. When the registers are locked, only the RLCK bit of the Nonvolatile Configuration Register can be altered, and any attempts at changing other bits in the Nonvolatile Configuration Register will be ignored.

In addition, the Volatile and Nonvolatile Configuration and Limit Registers can be permanently locked down by using the RLCKDWN bit in the Nonvolatile Configuration Register. When the RLCKDWN bit is set, the Volatile and Nonvolatile Configuration and Limit Registers will be permanently locked down so that they can never be modified again. Unlike the RLCK bit, the RLCKDWN bit is one-time programmable and cannot be reset. Therefore, the lockdown mechanism is not reversible. The RLCKDWN bit takes priority over the RLCK bit (see [Table 7-1](#)).

Having the ability to permanently lock down the Volatile and Nonvolatile Configuration and Limit Registers provides the ability to have a pre-defined, secure, and unchangeable temperature sensing solution for applications dealing with liability, risk, or safety concerns.

The register locking is not affected by power cycles or reset operations, including the General Call Reset. Therefore, if a device is power cycled or reset with the registers in the locked or locked-down state, then the registers will remain locked or locked-down when normal device operation resumes.

**Table 7-1. Register Locking**

| RLCKDWN | RLCK | Locking Status   |
|---------|------|--|
| 0       | 0    | Volatile and Nonvolatile Configuration and Limit Registers are unlocked and can be modified.   |
| 0       | 1    | Volatile and Nonvolatile Configuration and Limit Registers are locked and cannot be modified except for the RLCK bit of the Nonvolatile Configuration Register which can be reset. |
| 1       | 0    | Volatile and Nonvolatile Configuration and Limit Registers are permanently locked down and can never be modified again.  |
| 1       | 1    | Volatile and Nonvolatile Configuration and Limit Registers are permanently locked down and can never be modified again.  |



## 8. Operations Allowed During Nonvolatile Busy Status

While the AT30TSE752/754/758 is busy performing nonvolatile operations such as programming the Nonvolatile Configuration Register or the Serial EEPROM, certain other operations can still be executed. Table 8-1 details which commands are allowed or not allowed during a Nonvolatile Busy operation. For those commands that are not allowed during a Nonvolatile Busy operation, the device will respond with a NACK where it would normally respond with an ACK.

**Example:** If attempting to write to the Nonvolatile Configuration Register, the device would respond with an ACK after the device address byte and Pointer Register byte but then respond with a NACK instead of an ACK after the Master has sent the upper byte of configuration register data.

When attempting to read a register during a Nonvolatile Busy operation, the device will NACK instead of ACK after the AT30TSE752/754/758 device address byte has been received.

**Table 8-1. Commands Allowed During Nonvolatile Busy Operations**

| Command  | Allowed or Not Allowed |
|--|------------------------|
| Write to Pointer Register  | Allowed                |
| Read Temperature Register  | Allowed                |
| Read Configuration Register  | Allowed <sup>(1)</sup> |
| Write Configuration Register   | Not Allowed            |
| Read T <sub>LOW</sub> or T <sub>HIGH</sub> Limit Register                      | Allowed <sup>(1)</sup> |
| Write T <sub>LOW</sub> or T <sub>HIGH</sub> Limit Register                     | Not Allowed            |
| Read or Write Nonvolatile Configuration Register                               | Not Allowed            |
| Read or Write Nonvolatile T <sub>LOW</sub> or T <sub>HIGH</sub> Limit Register | Not Allowed            |
| Copy Nonvolatile Registers to Volatile Registers                               | Not Allowed            |
| Copy Volatile Registers to Nonvolatile Registers                               | Not Allowed            |
| Read or Write to Serial EEPROM   | Not Allowed            |
| SMBus Alert Response Address (ARA)   | Not Allowed            |
| General Call (04h)   | Not Allowed            |
| General Call Reset (06h)   | Not Allowed            |

Note: 1. Not allowed during Copy Nonvolatile Registers to Volatile Registers operation.



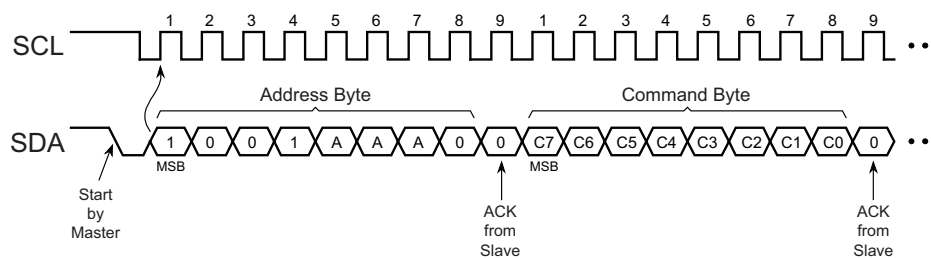
## 9. Other Commands

The AT30TSE752/754/758 incorporates additional commands for other device functions. The command opcode consists of a single byte of data that is sent from the Master to the AT30TSE752/754/758 in place of the Pointer Register byte. Therefore, the device must first be addressed by the Master and then given the subsequent command opcode. Sending any of the command opcodes to the AT30TSE752/754/758 will not change the contents of the Pointer Register byte.

**Table 9-1. Command Listing**

| Command  | Opcode        |
|--|---------------|
| Copy Nonvolatile Registers to Volatile Registers | B8h 1011 1000 |
| Copy Volatile Registers to Nonvolatile Registers | 48h 0100 1000 |

**Figure 9-1. Command Loading**



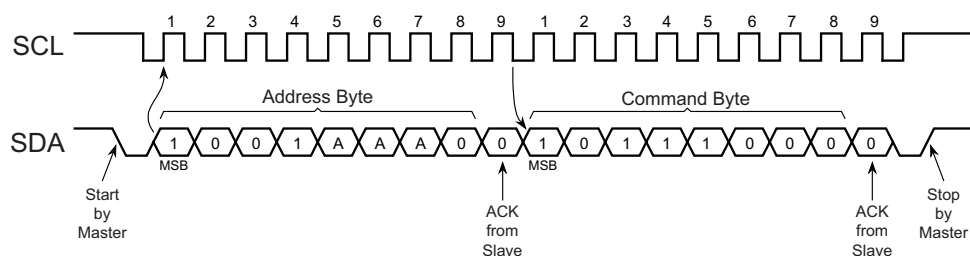
### 9.1 Copy Nonvolatile Registers to Volatile Registers

The Copy Nonvolatile Registers to Volatile Registers command allows the contents of the Nonvolatile Configuration Register, Nonvolatile  $T_{LOW}$  Limit Register, and Nonvolatile  $T_{HIGH}$  Limit Register to be copied into the Configuration Register,  $T_{LOW}$  Limit Register, and  $T_{HIGH}$  Limit Register. The copy process is automatically performed upon power-up or reset, but the Copy Nonvolatile Registers to Volatile Registers command provides the ability to re-copy the data registers if needed.

To copy the contents of the Nonvolatile Data Registers into the Volatile Data Registers, the Master must first initiate a Start condition followed by the AT30TSE752/754/758 device address byte (1001AAA0 where “AAA” corresponds to the hard-wired  $A_{2-0}$  address pins). After the AT30TSE752/754/758 has received the proper address byte, the device will send an ACK to the Master. The Master must then send the command byte of B8h for the Copy Nonvolatile Registers to Volatile Registers operation. After the command byte of B8h has been sent, the AT30TSE752/754/758 will send another ACK to the Master. After the Master has subsequently issued a Stop or repeated Start condition, the AT30TSE752/754/758 will begin the internally self-timed copy operation. The copy process will take place in a maximum time of  $t_{COPYR}$  during which time the NVRBSY bit in the Configuration Register will indicate that the nonvolatile registers are busy. If the Master issues a repeated Start condition instead of a Stop condition, the AT30TSE752/754/758 will abort the copy operation and the contents of the Volatile Data Registers will not be changed.

The Copy Nonvolatile Registers to Volatile Registers command will be ignored and no operation will be performed under the following conditions: the Nonvolatile Registers are already busy (the NVRBSY bit of the Configuration Register is in the Logic 1 state), the Volatile and Nonvolatile Registers are currently locked (the RLCK bit of the Nonvolatile Configuration Register is in the Logic 1 state), or the Volatile and Nonvolatile Registers are permanently locked down (the RLCKDWN bit of the Nonvolatile Configuration Register is in the Logic 1 state). However, the device will still respond with an ACK to indicate that it received the command byte even though the copy process will not be performed.

**Figure 9-2. Copy Nonvolatile Registers to Volatile Registers**



## 9.2 Copy Volatile Registers to Nonvolatile Registers

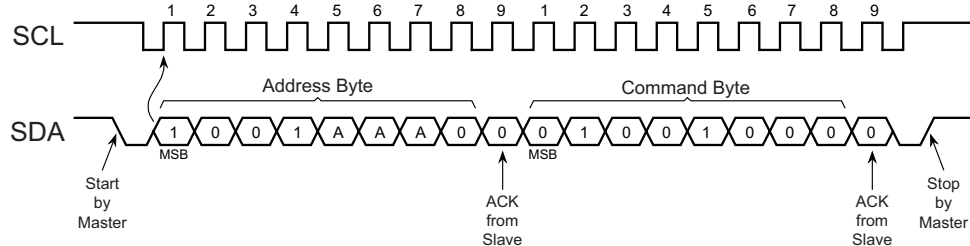
The Copy Volatile Registers to Nonvolatile Registers command allows the contents of the Configuration Register,  $T_{LOW}$  Limit Register, and  $T_{HIGH}$  Limit Register to be copied into the Nonvolatile Configuration Register, Nonvolatile  $T_{LOW}$  Limit Register, and Nonvolatile  $T_{HIGH}$  Limit Register. The Copy Volatile Registers to Nonvolatile Registers command can be used in the event that the Volatile Data Registers are modified and it is desired for that newly modified data to become the new power-up/reset defaults.

To copy the contents of the Volatile Data Registers into the Nonvolatile Data Registers, the Master must first initiate a Start condition followed by the AT30TSE752/754/758 device address byte (1001AAA0 where “AAA” corresponds to the hard-wired  $A_{2-0}$  address pins). After the AT30TSE752/754/758 has received the proper address byte, the device will send an ACK to the Master. The Master must then send the command byte of 48h for the Copy Volatile Registers to Nonvolatile Registers operation. After the command byte of 48h has been sent, the AT30TSE752/754/758 will send another ACK to the Master. After the Master has subsequently issued a Stop or repeated Start condition, the AT30TSE752/754/758 will begin the internally self-timed copy operation. The copy process will take place in a maximum time of  $t_{COPYW}$  during which time the NVRBSY bit in the Configuration Register will indicate that the nonvolatile registers are busy. If the Master issues a repeated Start condition instead of a Stop condition, the AT30TSE752/754/758 will abort the copy operation and the contents of the Nonvolatile Data Registers will not be changed.

The Copy Volatile Registers to Nonvolatile Registers command will be ignored and no operation will be performed under the following conditions: the nonvolatile registers are already busy (the NVRBSY bit of the Configuration Register is in the Logic 1 state), the volatile and nonvolatile registers are currently locked (the RLCK bit of the Nonvolatile Configuration Register is in the Logic 1 state), or the volatile and nonvolatile registers are permanently locked down (the RLCKDWN bit of the Nonvolatile Configuration Register is in the Logic 1 state). However, the device will still respond with an ACK to indicate that it received the command byte even though the copy process will not be performed.

Care must be taken when copying the Volatile Data Registers to the Nonvolatile Data Registers in order to accommodate the associated program time and finite program endurance limit. Power must not be removed from the device during the internally self-timed copy/program cycle. If power is removed prior to the completion of the copy/program cycle, then the contents of the nonvolatile registers cannot be guaranteed. In addition, the contents of the nonvolatile registers may become corrupt if programmed more than the maximum allowed number of Writes.

**Figure 9-3. Copy Volatile Registers to Nonvolatile Registers**



## 10. Serial EEPROM

The AT30TSE752/754/758 contains an integrated 2Kb, 4Kb, or 8Kb Serial EEPROM that is a drop in functional replacement for a stand alone 2-wire Serial EEPROM device enabling the added benefit of saving board space and component cost. The Serial EEPROM can be used to permanently store system configuration, application specific, and or user preference data.

### 10.1 Memory Organization

The Serial EEPROM in the AT30TSE752/754/758 is internally organized into pages or rows of data bytes. The AT30TSE752 has 256 bytes and is internally organized with 16 pages of 16 bytes in each page. The AT30TSE754 has 512 bytes and is internally organized with 32 pages of 16 bytes in each page. The AT30TSE758 has 1024 bytes and is internally organized with 64 pages of 16 bytes in each page.

**Table 10-1. AT30TSE752/754/758 Serial EEPROM Memory Organization**

| Device     | Density          | Bytes in Each Page | Number of Pages in Array |
|------------|------------------|--------------------|--------------------------|
| AT30TSE752 | 2Kb (256 bytes)  | 16                 | 16                       |
| AT30TSE754 | 4Kb (512 bytes)  | 16                 | 32                       |
| AT30TSE758 | 8Kb (1024 bytes) | 16                 | 64                       |

### 10.2 Memory Addressing

Every Serial EEPROM byte location within the AT30TSE752/754/758 can be individually accessed for Write or Read operations. To access a byte location requires entering the desired byte address in the address field for a Write or Read operation. The address field size will vary depending on the Serial EEPROM density; the AT30TSE752 requires an 8-bit address field, AT30TSE754 requires a 9-bit address field and the AT30TSE758 requires a 10-bit address field.

Table 10-2 shows the address byte and the relationship of the P0 and P1 memory page address bits and the device address bits (A2-A0). The P0 bit is the MSB of the required 9-bit address field for the AT30TSE754 and the P0 and P1 bits are the MSBs of the required 10-bit address field for the AT30TSE758. The P0 and P1 bits along with the word address byte comprise the required 9-bit or 10-bit address field for the AT30TSE754 and AT30TSE758, respectively, to enable every byte in the memory to be individually selected for a Write or Read operation.

The software device address bits (A2-A0) must match the corresponding hard-wired device address pins (A<sub>2-0</sub>) for proper communication (ACK) to occur.

**Example:** The AT30TSE752 requires that all three device address bits (A2-A0) must match the corresponding hard-wired device address pins (A<sub>2-0</sub>). The AT30TSE754 requires the device address bits (A2 and A1) must match the hard-wired device address pins (A<sub>2</sub> and A<sub>1</sub>). The AT30TSE758 requires only the device address bit (A2) to match the hard-wired device address pin (A<sub>2</sub>).

**Table 10-2. Serial EEPROM Address Byte**

|            | Bit 7                  | Bit 6 | Bit 5 | Bit 4 | Bit 3          | Bit 2 | Bit 1 | Bit 0      |
|------------|------------------------|-------|-------|-------|----------------|-------|-------|------------|
| Device     | Device Type Identifier |       |       |       | Device Address |       |       | Read/Write |
| AT30TSE752 | 1                      | 0     | 1     | 0     | A2             | A1    | A0    | R/W        |
| AT30TSE754 | 1                      | 0     | 1     | 0     | A2             | A1    | P0    | R/W        |
| AT30TSE758 | 1                      | 0     | 1     | 0     | A2             | P1    | P0    | R/W        |

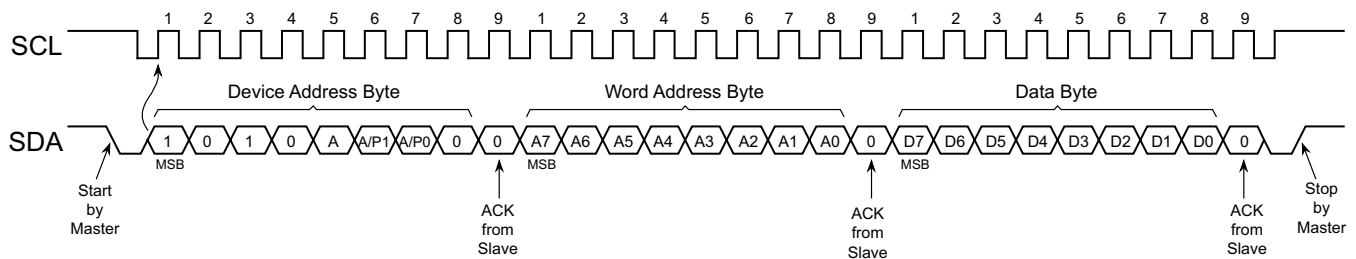
## 10.3 Write Operations

The Serial EEPROM within the AT30TSE752/754/758 supports single byte writes up to a full 16 bytes per page. The only difference between a Byte Write and a Page Write protocol sequence is the amount of data bytes loaded. Regardless of whether a Byte Write or Page Write operation is performed, it will take the same amount of time to write the data to the addressed memory location(s). The internal Write cycle will complete in the minimum  $t_{WR}$  specification.

### 10.3.1 Byte Write

Following the Start condition from the Master, the device type identifier (1010), the device address bits and the  $R\bar{W}$ , which is Logic 0 state, are placed onto the bus by the Master. This indicates to the addressed device that the Master will follow by transmitting a byte with the word address. The AT30TSE752/754/758 will respond with an ACK during the ninth clock cycle. Then the next byte transmitted by the Master is the 8-bit word address of the byte location in the memory to be written. After receiving an ACK by the AT30TSE752/754/758, the Master will transmit the data byte to be written into the addressed memory location. The AT30TSE752/754/758 responds with an ACK and then the Master generates a Stop condition. The Stop condition initiates the internal Write cycle and, during this time, the AT30TSE752/754/758 will not respond (NACK) to any valid protocol until the Write cycle is complete. The internal Write cycle will complete in the minimum  $t_{WR}$  specification.

Figure 10-1. Byte Write to Serial EEPROM

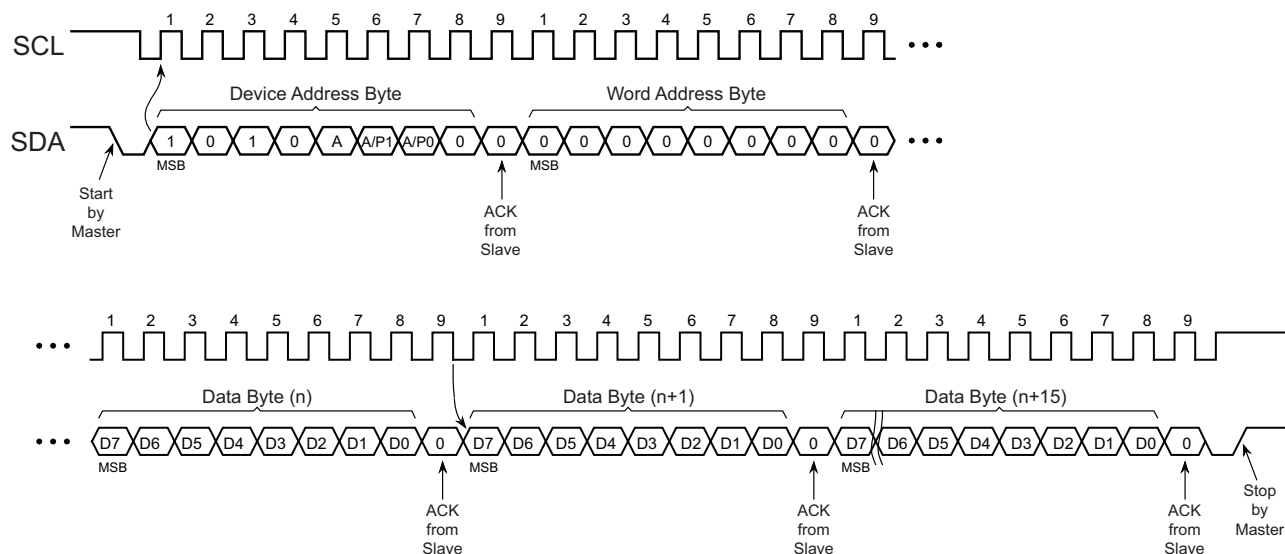


### 10.3.2 Page Write

The device address byte, word address byte, and the first data byte are transmitted to the AT30TSE752/754/758 in the same way as in the Byte Write protocol sequence. But instead of generating a Stop condition, the Master transmits up to 16 data bytes to the AT30TSE752/754/758, which are temporarily stored into an internal page buffer and will be written into memory once the Master has generated the Stop condition. Upon receipt of each data byte, the four lower order word address bits are internally incremented by one since the page size is 16 bytes. If the Master should transmit more than 16 data bytes prior to generating the Stop condition, the address counter will roll over and the previously received data will be replaced. As with the Byte Write operation, once the Stop condition is generated by the Master, then the device's internal Write cycle will begin. The internal Write cycle will complete in the minimum  $t_{WR}$  specification. A very important point to understand is that Page Write operations are limited to writing data bytes within a single physical page regardless of the number of bytes actually being written.

**Example:** If a Page Write operation attempts to write across a physical page boundary, then the data will simply rollover to the beginning of the same page and replace any existing data bytes previously loaded in the page buffer.

**Figure 10-2. Page Write to Serial EEPROM**



### 10.3.3 Acknowledge Polling

Since the AT30TSE752/754/758 will NACK during a Write cycle because it is busy writing data, this can be used to determine when the Write cycle is complete and therefore could be used to maximize bus throughput. Once the Stop condition for a write sequence has been issued from the Master, the AT30TSE752/754/758 initiates the internally self-timed Write cycle and ACK polling can then be immediately started by the Master. This involves the Master transmitting a Start condition followed the device address byte. If the AT30TSE752/754/758 is still busy with the Write cycle, NACK will be returned by the device. If the Write cycle is complete, the device will ACK indicating the Write cycle is complete and the Master can then proceed with the next Read or Write operation.

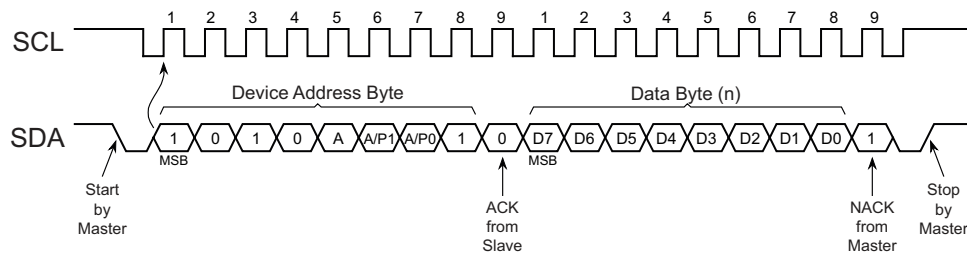
## 10.4 Read Operations

Read operations are initiated in the same way as Write operations, with the exception that the  $R/\overline{W}$  is set to a Logic 1 state. There are three basic types of Read operations: Current Address Read, Random Read, and Sequential Read.

### 10.4.1 Current Address Read

The AT30TSE752/754/758 contains an internal address counter that maintains the address of the last byte address accessed during the last Read or Write operation incremented by one. The address stays valid between operations as long as the power to the device is maintained. The address rollover during a Read operation is from the last byte of the last memory page to the first byte of the first page. Upon receipt of the device address byte with the  $R/\overline{W}$  bit set to a Logic 1 state, the AT30TSE752/754/758 will ACK and transmit the 8-bit data byte. The Master will respond with a NACK followed by a Stop condition to end the transmission. It is recommended to not rely on the Current Address Read operation because the only way to guarantee the correct Read Address is to use the Random Read Protocol that loads the specific starting byte address location of the data to be read. For more details about the Random Read Protocol, see [Section 10.4.2, Random Read](#).

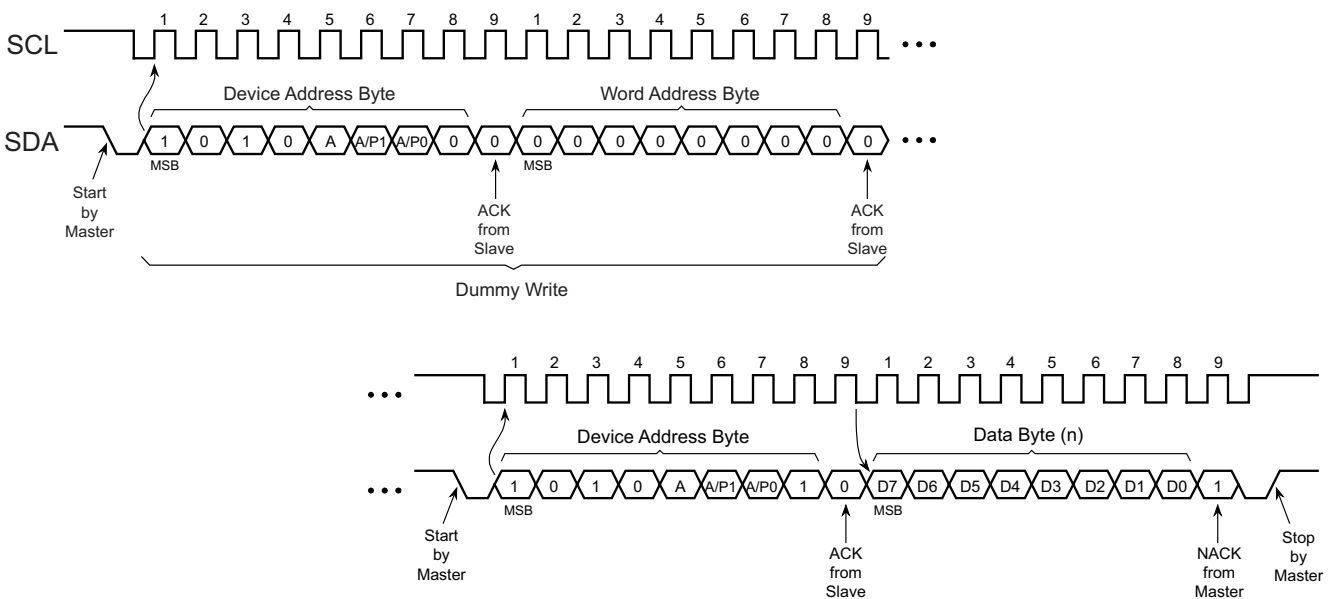
Figure 10-3. Current Address Read from Serial EEPROM



## 10.4.2 Random Read

Random Read operations allow the Master to access any memory location in a random manner and requires a “dummy write” sequence to preload the byte address of the data byte to be read. To perform this type of Read operation, the data byte address must first be set. This is accomplished by sending the device address byte and the word address byte to the AT30TSE752/754/758 as part of a Write operation or “dummy write” sequence. Once the word address byte is sent, the Master generates a Start condition following the ACK. This terminates the Write operation but not before the AT30TSE752/754/758’s internal address pointer is set. This is the reason it is called a “dummy write” sequence as its only purpose is to preload the starting byte address to be read from. The Master then issues the device address byte again, but with the  $\overline{R/\overline{W}}$  bit set to a Logic 1 state. The AT30TSE752/754/758 will ACK and transmit the data byte. The Master will NACK and generate a Stop condition and the AT30TSE752/754/758 will discontinue the transmission.

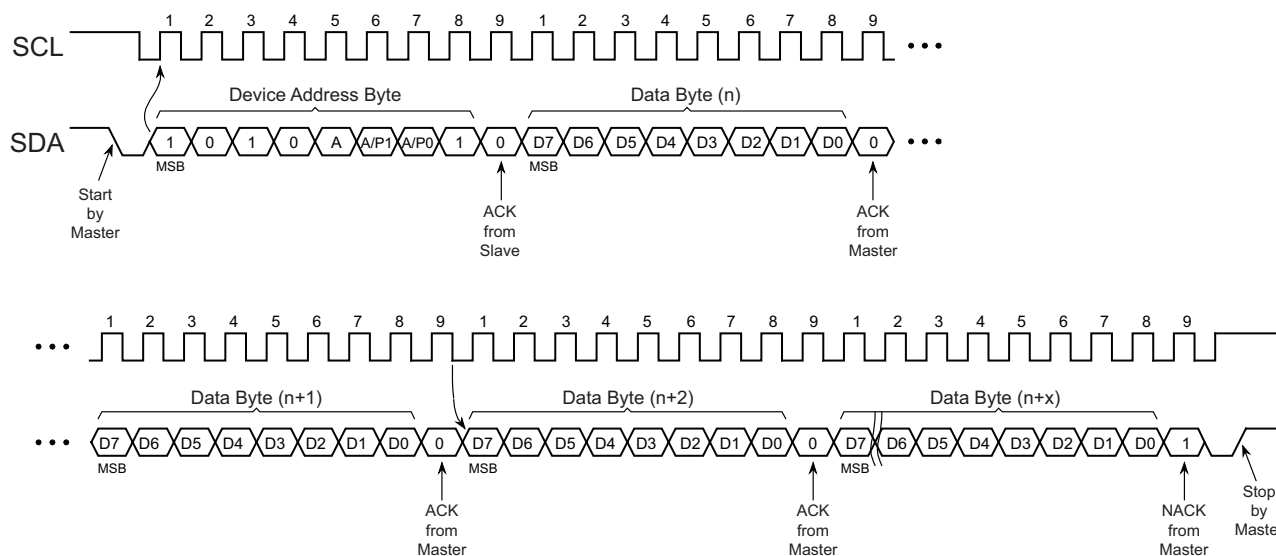
Figure 10-4. Random Read from Serial EEPROM



### 10.4.3 Sequential Read

Sequential Read operations are initiated in the same way as a Random Read, except that after the AT30TSE752/754/758 transmits the first data byte, the Master issues an ACK instead of a NACK and Stop condition in a Random Read operation. This directs the AT30TSE752/754/758 to increment the internal address pointer by one and transmit the next sequentially addressed data byte. The AT30TSE752/754/758 will repeat and continue transmitting sequential data bytes until the Master wants to terminate the Read operation by issuing a NACK and Stop condition.

**Figure 10-5. Sequential Read from Serial EEPROM**





## 10.5 Software Write Protect

The AT30TSE752/754/758 features a Reversible Software Write Protect (RSWP) mode that once enabled, disables the Serial EEPROM write circuitry and therefore, protects the contents of the entire memory array against any intentional or unintentional Write operations. The RSWP feature is invoked by sending the “Set RSWP” protocol sequence to the AT30TSE752/754/758 that is similar to a normal memory Write command sequence as shown in [Table 10-3](#) and [Figure 10-6](#). The Master can set the memory array to Full Write Protection status by issuing a Start condition followed by 01100010 and the AT30TSE752/754/758 will respond with an ACK. Next, the Master sends the word address byte and the AT30TSE752/754/758 will respond with an ACK. Then the Master sends the data byte and the AT30TSE752/754/758 will respond with an ACK. The word address and data bytes are don't care values. In addition, during the protocol sequence, the  $A_2$  and  $A_1$  device address pins must be set to ground and the  $A_0$  device address pin set to  $V_{HV}$ .

The Software Write Protection can be reversed to no protect status by the Master sending the “Clear RSWP” protocol sequence as shown in [Table 10-3](#) and [Figure 10-7](#). This requires the Master to send a Start condition followed by 01100110, Word Address Byte, Data Byte, and a Stop condition with an ACK response from the AT30TSE752/754/758 after each byte transferred. The word address and data bytes are don't care values. In addition, during the protocol sequence, the  $A_2$  device address pin must be set to ground,  $A_1$  device address pin set to  $V_{CC}$  and the  $A_0$  device address pin set to  $V_{HV}$ .

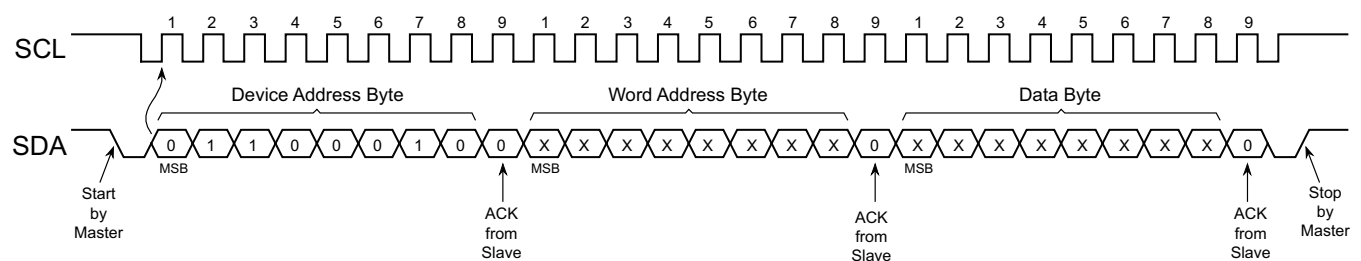
The Write Protection status can be checked to see if the memory array is in full protection or not by sending a Start condition followed by 01100011 (63h), if the AT30TSE752/754/758 responds with a NACK, this indicates the memory array is in full write protect. Likewise, if the AT30TSE752/754/758 responds with an ACK, this indicates the memory array is not protected.

**Table 10-3. Software Write Protection for Serial EEPROM**

| Command    | Device Address Pin |     |     | RSWP Write |       |       |       |       |       |       | R/W   |
|------------|--------------------|-----|-----|------------|-------|-------|-------|-------|-------|-------|-------|
|            | A2                 | A1  | A0  | Bit 7      | Bit 6 | Bit 5 | Bit 4 | Bit 3 | Bit 2 | Bit 1 | Bit 0 |
| Set RSWP   | GND                | GND | VHV | 0          | 1     | 1     | 0     | 0     | 0     | 1     | 0     |
| Clear RSWP | GND                | VCC | VHV | 0          | 1     | 1     | 0     | 0     | 1     | 1     | 0     |

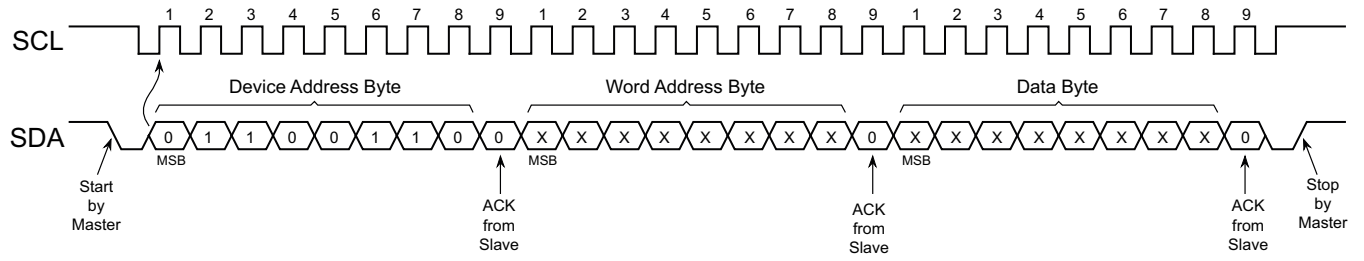
Note:  $V_{HV}$  = High Voltage. See [Section 12.3 “DC Characteristics”](#) on page 46 for more information.

**Figure 10-6. Set Reversible Software Write Protect**



- Notes:
1. Apply GND at  $A_2$  and  $A_1$  pins and  $V_{HV}$  at  $A_0$  pin.
  2. X = Don't care

**Figure 10-7. Clear Reversible Software Write Protect**



- Notes:
1. Apply GND at A2 and  $V_{CC}$  at A<sub>1</sub> pin and  $V_{HV}$  at A<sub>0</sub> pin.
  2. X = Don't care

## 11. SMBus Features and I<sup>2</sup>C General Call

### 11.1 SMBus Alert

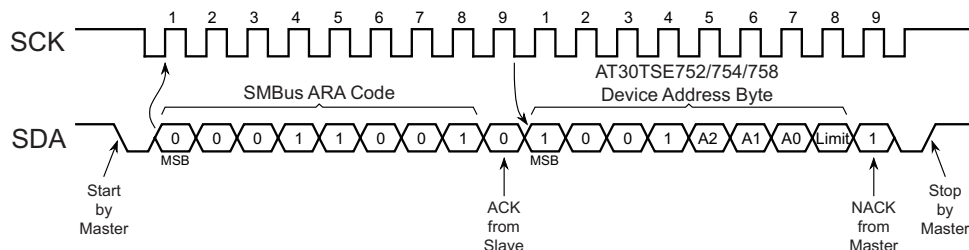
The AT30TSE752/754/758 utilizes the ALERT pin to support the SMBus Alert function when the Alarm Thermostat mode is set to the Interrupt mode (the CMP/INT bit of the Configuration Register is set to one) and the ALERT pin polarity is set to active low (the POL bit of the Configuration Register is set to zero). The AT30TSE752/754/758 is a slave-only device, and normally, slave devices on the SMBus cannot signal to the Master that they want to communicate. However, the AT30TSE752/754/758 uses the SMBus Alert function (the ALERT pin) to signal to the Master that it wants to communicate.

Several SMBus ALERT pins from different slave devices can be connected to a common SMBus Alert input on the Master. When the SMBus Alert input on the Master is pulled low by one of the slave devices, the Master can perform a specialized Read operation from the slave devices to determine which device sent the SMBus Alert signal.

The specialized Read operation is known as an SMBus Alert Response Address (ARA) and requires that the Master first initiate a Start condition followed by the SMBus ARA code of 00011001. The slave device that generated the SMBus Alert signal will respond to the Master with an ACK. After sending the ACK, the slave device will then output its own device address (1001AAA for the AT30TSE752/754/758 where “AAA” corresponds to the hard-wired A<sub>2-0</sub> address pins) on the bus. Since the device address is seven bits long, the remaining eighth bit (the LSB) is used as an indicator to notify the Master which temperature limit caused the alarm (the LSB will be a Logic 1 if the T<sub>HIGH</sub> limit was met or exceeded, and the LSB will be a Logic 0 if the T<sub>LOW</sub> limit was exceeded).

The SMBus ARA can activate several slave devices at the same time; therefore, if more than one slave responds, standard SMBus arbitration rules apply and the device with the lowest address wins the arbitration. The device winning the arbitration will clear its SMBus Alert output after it has responded to the SMBus ARA and provided its device address. All other devices with higher addresses do not generate an ACK and continue to hold their SMBus Alert outputs low until cleared. The Master will continue to issue SMBus ARA sequences until all slave devices that generated an SMBus Alert signal have responded and cleared their SMBus Alert outputs.

Figure 11-1. SMBus Alert

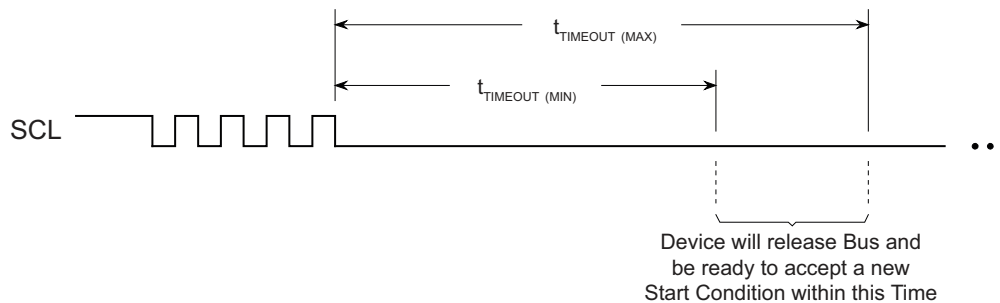


Note: The “Limit” bit (the LSB) of the device address byte will be one or zero depending on if the T<sub>HIGH</sub> or T<sub>LOW</sub> limit was exceeded.

## 11.2 SMBus Timeout

The AT30TSE752/754/758 supports the SMBus Timeout feature in which the AT30TSE752/754/758 will reset its serial interface and release the SMBus (stop driving the bus and let SDA float high) if the SCL pin is held low for more than the minimum  $t_{\text{TIMEOUT}}$  specification. The AT30TSE752/754/758 will be ready to accept a new Start condition before  $t_{\text{TIMEOUT}}$  maximum has elapsed.

Figure 11-2. SMBus Timeout



## 11.3 General Call

The AT30TSE752/754/758 will respond to an I<sup>2</sup>C General Call address (0000000) from the Master only if the eighth bit (the LSB) of the General Call address byte is zero. If the General Call address byte is 00000000, then the device will send an ACK to the Master and await a command byte from the Master.

If the Master sends a command byte of 04h, then the AT30TSE752/754/758 will re-latch the status of its address pins in case the system has assigned a new address to the device. If the Master sends a command byte of 06h (General Call Reset), then the AT30TSE752/754/758 will re-latch the status of its address pins and perform a reset sequence. The reset sequence will cause the contents of the Nonvolatile Data Registers to be copied into the Volatile Data Registers, and the device will be busy for a maximum time of  $t_{\text{POR}}$  during the reset and copying operation.

## 12. Electrical Specifications

### 12.1 Absolute Maximum Ratings\*

|   |                          |
|---|--------------------------|
| Temperature under Bias . . . . .                              | -40°C to +125°C          |
| Storage Temperature . . . . .                                 | -65°C to +150°C          |
| Supply voltage<br>with respect to ground . . . . .            | -0.5V to +7.0V           |
| ALERT Pin. . . . .  | -0.5V to $V_{CC} + 0.3V$ |
| All input voltages<br>with respect to ground . . . . .        | -0.5V to $V_{CC} + 0.5V$ |
| All other output voltages<br>with respect to ground . . . . . | -0.5V to $V_{CC} + 0.5V$ |

\*Notice: Stresses beyond those listed under “Absolute Maximum Ratings” may cause permanent damage to the device. Functional operation of the device at these ratings or any other conditions beyond those indicated in the operational sections of this specification is not implied. Exposure to absolute maximum rating conditions for extended periods may affect device reliability. Voltage extremes referenced in the “Absolute Maximum Ratings” are intended to accommodate short duration undershoot/overshoot conditions and does not imply or guarantee functional device operation at these levels for any extended period of time.

Pull-up voltages applied to the ALERT pin that exceed the “Absolute Maximum Ratings” may forward bias the ESD protection circuitry. Doing so may result in improper device function and may corrupt temperature measurements.

### 12.2 DC and AC Operating Range

|                              |                             | Atmel AT30TSE752/754/758          |
|------------------------------|-----------------------------|-----------------------------------|
| Operating Temperature (Case) | Industrial High Temperature | -55°C to +125°C <sup>(1)(2)</sup> |
| $V_{CC}$ Power Supply        |                             | 2.7V to 5.5V                      |

- Notes: 1. Device operation is guaranteed from -40°C to +125°C.  
 2. Device operation is not guaranteed at -55°C but ensured by characterization.

## 12.3 DC Characteristics

| Symbol           | Parameter                                       | Condition   | Min                   | Typ <sup>(1)</sup> | Max                   | Units |
|------------------|---|---|-----------------------|--------------------|-----------------------|-------|
| I <sub>CC</sub>  | Active Current                                  | Active Temperature Conversions, Bus Inactive, V <sub>CC</sub> = 3.3V              |                       | 95                 | 125                   | μA    |
|                  |   | Active Temperature Conversions, Bus inactive, V <sub>CC</sub> = Max               |                       | 120                | 175                   |       |
|                  |   | Active Temperature Conversions, f <sub>SCL</sub> = 400kHz, V <sub>CC</sub> = 3.3V |                       | 125                | 175                   |       |
|                  |   | Active Temperature Conversions, f <sub>SCL</sub> = 400kHz, V <sub>CC</sub> = Max  |                       | 200                | 250                   |       |
| I <sub>CC1</sub> | Active Current, Nonvolatile Register Read       | V <sub>CC</sub> = 3.3V  |                       | 0.3                | 0.5                   | mA    |
|                  |   | V <sub>CC</sub> = Max   |                       | 0.6                | 0.9                   |       |
| I <sub>CC1</sub> | Active Current, Nonvolatile Register Read/Copy  | V <sub>CC</sub> = 3.3V  |                       | 0.7                | 0.9                   | mA    |
|                  |   | V <sub>CC</sub> = Max   |                       | 1.6                | 2.0                   |       |
| I <sub>SD</sub>  | Shutdown Mode Current                           | Bus Inactive, V <sub>CC</sub> = 3.3V  |                       | 0.6                | 1.6                   | μA    |
|                  |   | Bus Inactive, V <sub>CC</sub> = Max   |                       | 1.1                | 3.5                   |       |
|                  |   | f <sub>SCL</sub> = 400kHz, V <sub>CC</sub> = 3.3V                                 |                       | 125                | 165                   |       |
|                  |   | f <sub>SCL</sub> = 400kHz, V <sub>CC</sub> = Max                                  |                       | 185                | 220                   |       |
| I <sub>LI</sub>  | Input Leakage Current                           | V <sub>IN</sub> = CMOS levels   |                       |                    | ±1                    | μA    |
| I <sub>LO</sub>  | Output Leakage Current                          | V <sub>OUT</sub> = CMOS levels  |                       |                    | ±1                    | μA    |
| V <sub>IL</sub>  | Input Low Voltage                               |   |                       |                    | 0.3 x V <sub>CC</sub> | V     |
| V <sub>IH</sub>  | Input High Voltage                              |   | 0.7 x V <sub>CC</sub> |                    |                       | V     |
| V <sub>HV</sub>  | Input High Voltage, Reversible Write Protection |   | 7                     |                    | 10                    | V     |
| V <sub>OL1</sub> | Output Low Voltage                              | I <sub>OL</sub> = 3mA   |                       |                    | 0.4                   | V     |
| V <sub>OL2</sub> | Output Low Voltage, ALERT Pin                   | I <sub>OL</sub> = 4mA   |                       |                    | 0.4                   | V     |

Note: 1. Typical values characterized at T<sub>A</sub> = +25°C unless otherwise noted.

## 12.4 Temperature Sensor Accuracy and Conversion Characteristics

| Symbol            | Parameter             | Condition  | Min          | Typ <sup>(1)</sup> | Max              | Units |
|-------------------|-----------------------|--|--------------|--------------------|------------------|-------|
| T <sub>ACC</sub>  | Sensor Accuracy       | T <sub>A</sub> = 0°C to +55°C<br>V <sub>CC</sub> = 2.7V to 3.6V    |              | ±1.0               | ±1.5             | °C    |
|                   |                       | T <sub>A</sub> = -5°C to +90°C<br>V <sub>CC</sub> = 2.7V to 3.6V   |              | ±1.0               | ±2.0             |       |
|                   |                       | T <sub>A</sub> = -20°C to +125°C<br>V <sub>CC</sub> = 2.7V to 3.6V |              | ±2.0               | ±3.0             |       |
|                   |                       | T <sub>A</sub> = -40°C to +125°C<br>V <sub>CC</sub> = 2.7V to 5.5V |              | ±3.0               |                  |       |
|                   |                       | T <sub>A</sub> = 0°C to +55°C<br>V <sub>CC</sub> = 3.6V to 5.5V    |              | ±1.0               | ±2.0             |       |
|                   |                       | T <sub>A</sub> = -20°C to +105°C<br>V <sub>CC</sub> = 3.6V to 5.5V |              | ±2.0               | ±3.0             |       |
|                   |                       | T <sub>A</sub> = -55°C to +125°C <sup>(2)</sup>                    |              | ±3.0               |                  |       |
| T <sub>RES</sub>  | Conversion Resolution | Selectable 9 to 12 bits  | 0.5 (9 bits) |                    | 0.0625 (12 bits) | °C    |
| t <sub>CONV</sub> | Conversion Time       | 9-bit Resolution   |              | 25                 | 37.5             | ms    |
|                   |                       | 10-bit Resolution  |              | 50                 | 75               |       |
|                   |                       | 11-bit Resolution  |              | 100                | 150              |       |
|                   |                       | 12-bit Resolution  |              | 200                | 300              |       |

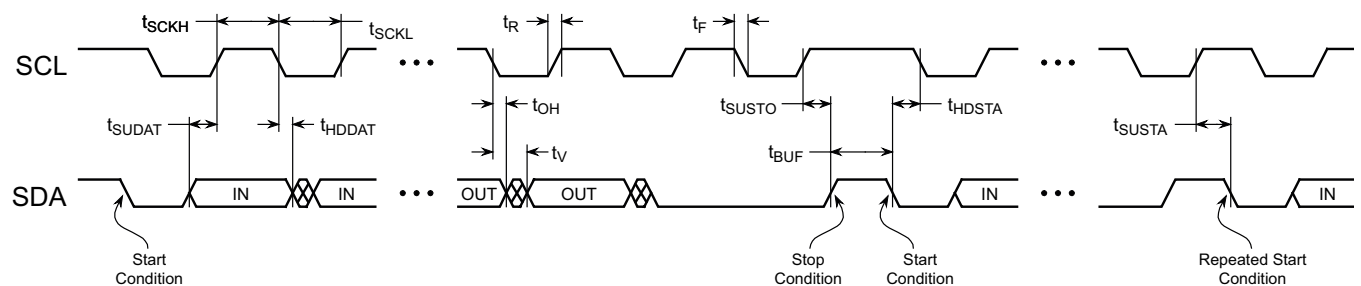
- Notes: 1. Typical values characterized at V<sub>CC</sub> = 3.3V, T<sub>A</sub> = +25°C unless otherwise noted.  
 2. Sensor accuracy characterized to this range but not tested or guaranteed.

## 12.5 AC Characteristics

| Symbol        | Parameter   | Fast Mode        |     | Units |
|---------------|---|------------------|-----|-------|
|               |   | Min              | Max |       |
| $f_{SCL}$     | Serial Clock Frequency                                    | 1 <sup>(1)</sup> | 400 | kHz   |
| $t_{SCLH}$    | Clock High Time   | 600              |     | ns    |
| $t_{SCLL}$    | Clock Low Time  | 1300             |     | ns    |
| $t_R$         | Clock/Data Input Rise Time                                |                  | 300 | ns    |
| $t_F$         | Clock/Data Input Fall Time                                |                  | 300 | ns    |
| $t_{SUDAT}$   | Data In Setup Time  | 50               |     | ns    |
| $t_{HDDAT}$   | Data In Hold Time   | 0                |     | ns    |
| $t_V$         | Output Valid Time   |                  | 450 | ns    |
| $t_{OH}$      | Output Hold Time  | 0                |     | ns    |
| $t_{BUF}$     | Bus Free Time Between Stop and Start Condition            | 600              |     | ns    |
| $t_{SUSTA}$   | Repeated Start Condition Setup Time (SCL High to SDA Low) | 50               |     | ns    |
| $t_{HDSTA}$   | Start Condition Hold Time (SDA Low to SCL Low)            | 50               |     | ns    |
| $t_{SUSTO}$   | Stop Condition Setup Time (SCL High to SDA High)          | 50               |     | ns    |
| $t_{NS}$      | Noise Suppression Input Filter Time                       |                  | 50  | ns    |
| $t_{TIMEOUT}$ | SMBus Timeout Time  | 25               | 75  | ms    |
| $C_{LOAD}$    | Capacitive Load for SCL and SDA Lines                     |                  | 400 | pF    |

Note: 1. Minimum clock frequency must be at least 1kHz to avoid activating the SMBus Timeout feature.

Figure 12-1. SMBus/I<sup>2</sup>C Timing Diagram





## 12.6 Nonvolatile Register and Serial EEPROM Characteristics

| Symbol             | Parameter                                   | Min       | Typ <sup>(1)</sup> | Max | Units         |
|--------------------|---|-----------|--------------------|-----|---------------|
| $t_{\text{PROG}}$  | Nonvolatile Register Program Time           |           | 1.0                | 5.0 | ms            |
| $t_{\text{WR}}$    | Serial EEPROM Write Cycle Time              |           | 3.0                | 5.0 | ms            |
| $t_{\text{COPYW}}$ | Volatile to Nonvolatile Register Copy Time  |           | 1.0                | 5.0 | ms            |
| $t_{\text{COPYR}}$ | Nonvolatile to Volatile Register Copy Time  |           | 100                | 200 | $\mu\text{s}$ |
| $N_{\text{ENDUR}}$ | Nonvolatile Register Program/Copy Endurance | 50,000    | 100,000            |     | Cycles        |
| $S_{\text{ENDUR}}$ | Serial EEPROM Write Endurance               | 1,000,000 |                    |     | Cycles        |

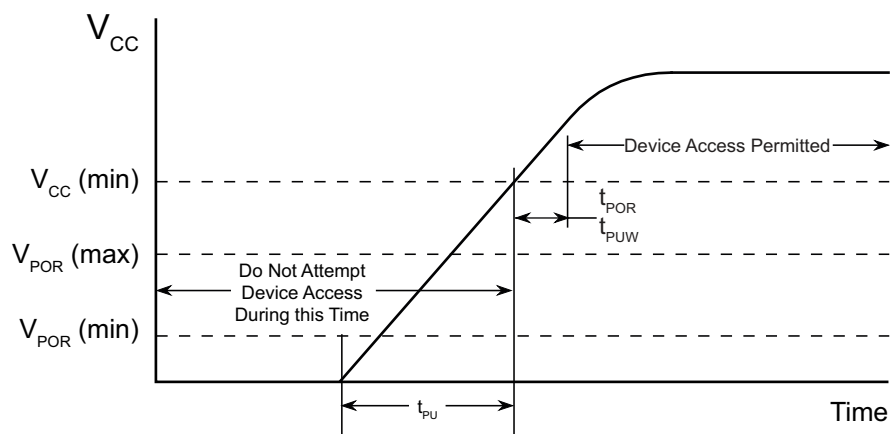
Note: 1. Typical values characterized at  $V_{\text{CC}} = 3.3\text{V}$ ,  $T_{\text{A}} = +25^{\circ}\text{C}$  unless otherwise noted.

## 12.7 Power-Up Conditions

| Symbol           | Parameter   | Min | Max              | Units         |
|------------------|---|-----|------------------|---------------|
| $t_{\text{POR}}$ | Power-On Reset Time   |     | 500              | $\mu\text{s}$ |
| $t_{\text{PUW}}$ | Power-Up Device Delay before Nonvolatile Register or Memory Program Allowed |     | 500              | $\mu\text{s}$ |
| $V_{\text{POR}}$ | Power-On Reset Voltage Range  |     | 2.6              | V             |
| $t_{\text{PU}}$  | Maximum Allowable Power-Up Time   |     | 1 <sup>(1)</sup> | ms            |

Note: 1. Please reference the AT30TSE752A/754A/758A datasheet for devices that can accommodate power-up ( $V_{\text{CC}}$  ramp) times longer than the specified value.

Figure 12-2. Power-Up Timing

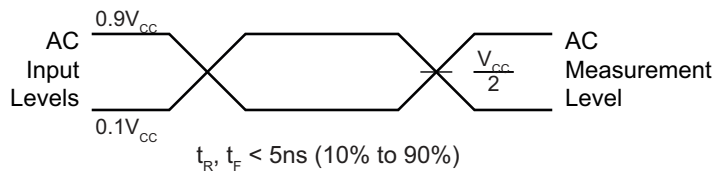


## 12.8 Pin Capacitance

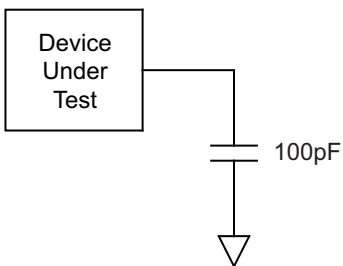
| Symbol          | Parameter                                     | Min            | Max | Units |
|-----------------|---|----------------|-----|-------|
| $C_{I/O}^{(1)}$ | Input/Output Capacitance (SDA and ALERT pins) | $V_{I/O} = 0V$ | 8   | pF    |
| $C_{IN}^{(1)}$  | Input Capacitance ( $A_{2-0}$ and SCL pins)   | $V_{IN} = 0V$  | 6   | pF    |

Note: 1. Not 100% tested (value guaranteed by design and characterization).

## 12.9 Input Test Waveforms and Measurement Levels

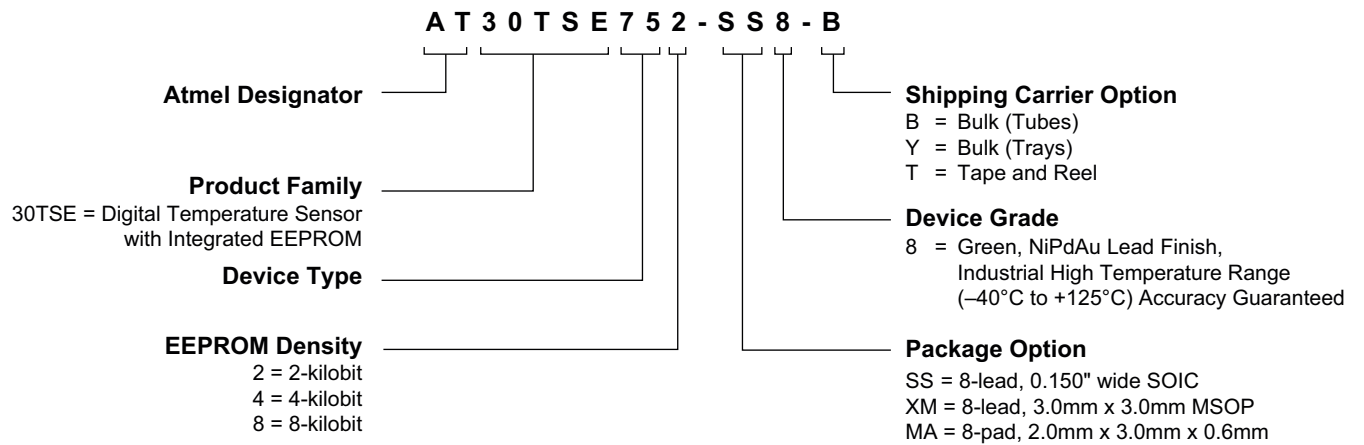


## 12.10 Output Test Load



## 13. Ordering Information

### 13.1 Atmel Ordering Code Detail



## 13.2 Green Package Options (Pb/Halide-free/RoHS Compliant)

| Atmel Ordering Code | Package | Lead (Pad) Finish | Operating Voltage | Max. Freq. (kHz) | Operation Range                               |
|---------------------|---------|-------------------|-------------------|------------------|---|
| AT30TSE752-SS8-B    | 8S1     | NiPdAu            | 2.7V to 5.5V      | 400              | Industrial High Temperature (-55°C to +125°C) |
| AT30TSE752-SS8-T    |         |                   |                   |                  |   |
| AT30TSE752-XM8-B    | 8XM     |                   |                   |                  |   |
| AT30TSE752-XM8-T    |         |                   |                   |                  |   |
| AT30TSE752-MA8-T    | 8MA2    |                   |                   |                  |   |
| <hr/>               |         |                   |                   |                  |   |
| AT30TSE754-SS8-B    | 8S1     | NiPdAu            | 2.7V to 5.5V      | 400              | Industrial High Temperature (-55°C to +125°C) |
| AT30TSE754-SS8-T    |         |                   |                   |                  |   |
| AT30TSE754-XM8-B    | 8XM     |                   |                   |                  |   |
| AT30TSE754-XM8-T    |         |                   |                   |                  |   |
| AT30TSE754-MA8-T    | 8MA2    |                   |                   |                  |   |
| <hr/>               |         |                   |                   |                  |   |
| AT30TSE758-SS8-B    | 8S1     | NiPdAu            | 2.7V to 5.5V      | 400              | Industrial High Temperature (-55°C to +125°C) |
| AT30TSE758-SS8-T    |         |                   |                   |                  |   |
| AT30TSE758-XM8-B    | 8XM     |                   |                   |                  |   |
| AT30TSE758-XM8-T    |         |                   |                   |                  |   |
| AT30TSE758-MA8-T    | 8MA2    |                   |                   |                  |   |

Note: The shipping carrier option code is not marked on the devices.

| Package Type |  |
|--------------|--|
| 8S1          | 8-lead, 0.150" wide, Plastic Gull Wing Small Outline (JEDEC SOIC)                            |
| 8XM          | 8-lead, 3.0mm x 3.0mm, Plastic Miniature Small Outline (MSOP)                                |
| 8MA2         | 8-pad, 2.0mm x 3.0mm x 0.6mm, Thermally Enhanced Plastic Ultra Thin Dual Flat No Lead (UDFN) |

## 14. Part Marking Detail

### AT30TSE752, AT30TSE754 & AT30TSE758: Package Marking Information

| 8-lead SOIC | 8-lead MSOP | 8-lead UDFN           |
|-------------|-------------|-----------------------|
|             |             | 2.0 x 3.0 mm Body<br> |

Note 1: ● designates pin 1

Note 2: Package drawings are not to scale

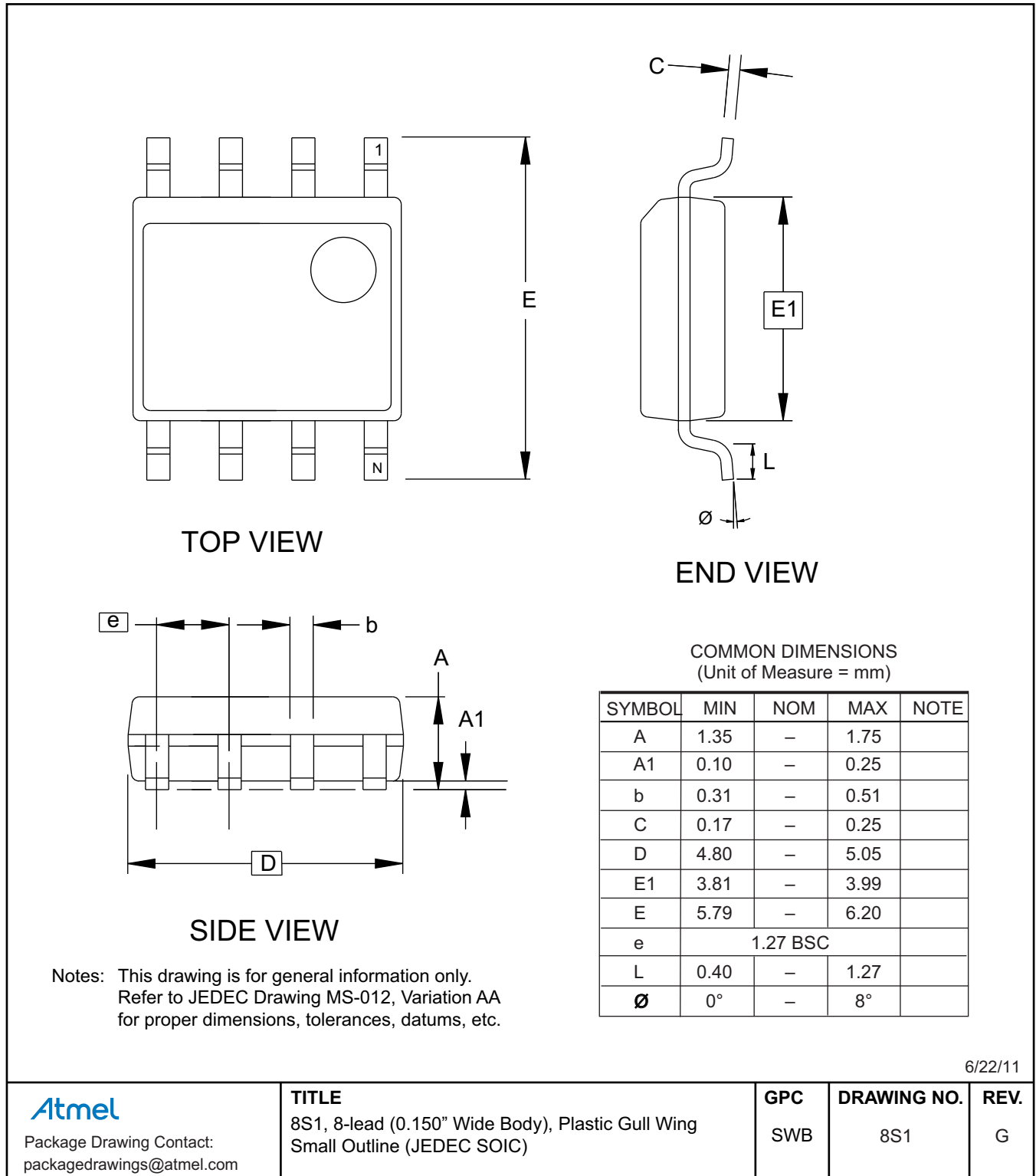
| Catalog Number Truncation  |             |                                  |  |
|--|-------------|----------------------------------|--|
| AT30TSE752   |             | Truncation Code ###: T5 or T752  |  |
| AT30TSE754   |             | Truncation Code ###: T6 or T754  |  |
| AT30TSE758   |             | Truncation Code ###: T7 or T758  |  |
| Date Codes   |             |                                  | Voltages                                     |
| Y = Year   | M = Month   | WW = Work Week of Assembly       | % = Minimum Voltage                          |
| 3: 2013    7: 2017   | A: January  | 02: Week 2                       | Blank: 2.7V min                              |
| 4: 2014    8: 2018   | B: February | 04: Week 4                       |  |
| 5: 2015    9: 2019   | ...         | ...                              |  |
| 6: 2016    0: 2020   | L: December | 52: Week 52                      |  |
| Country of Assembly  |             | Lot Number                       | Grade/Lead Finish Material                   |
| @ = Country of Assembly  |             | AAA...A = Atmel Wafer Lot Number | 8: Industrial (C)<br>(-40°C to 125°C)/NiPdAu |
| Trace Code   |             |                                  | Atmel Truncation                             |
| XX = Trace Code (Atmel Lot Numbers Correspond to Code)<br>Example: AA, AB.... YZ, ZZ |             |                                  | AT: Atmel<br>ATM: Atmel<br>ATML: Atmel       |

1/18/13

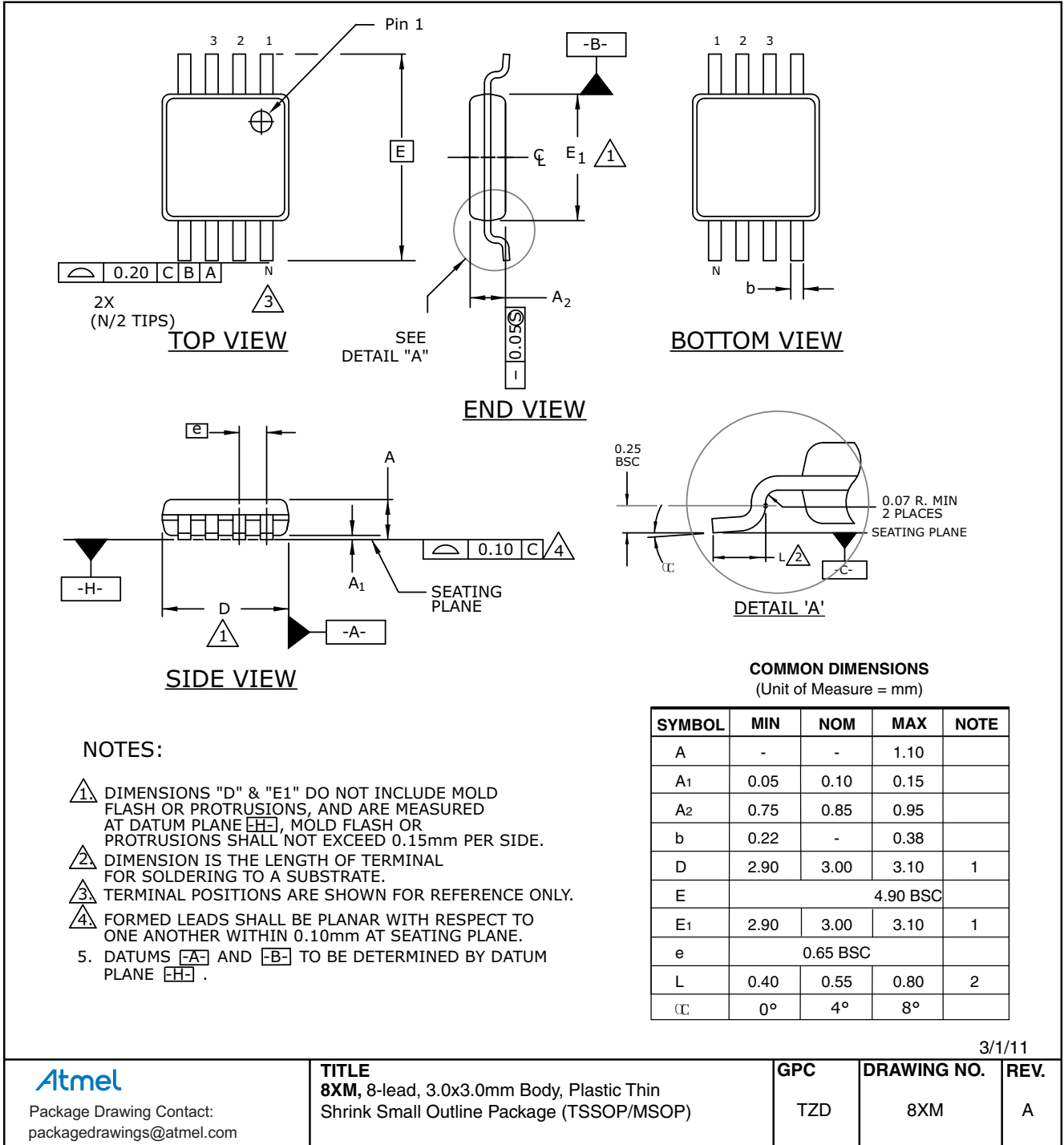
|  |  |                                  |                  |
|--|--|----------------------------------|------------------|
| <br>Package Mark Contact:<br>DL-CSO-Assy_eng@atmel.com | <b>TITLE</b><br><b>AT30TSE75xSM, AT30TSE752, AT30TSE754 &amp; AT30TSE758 Package Marking Information</b> | <b>DRAWING NO.</b><br>30TSE75xSM | <b>REV.</b><br>A |
|  |  |                                  |                  |

## 15. Packaging Information

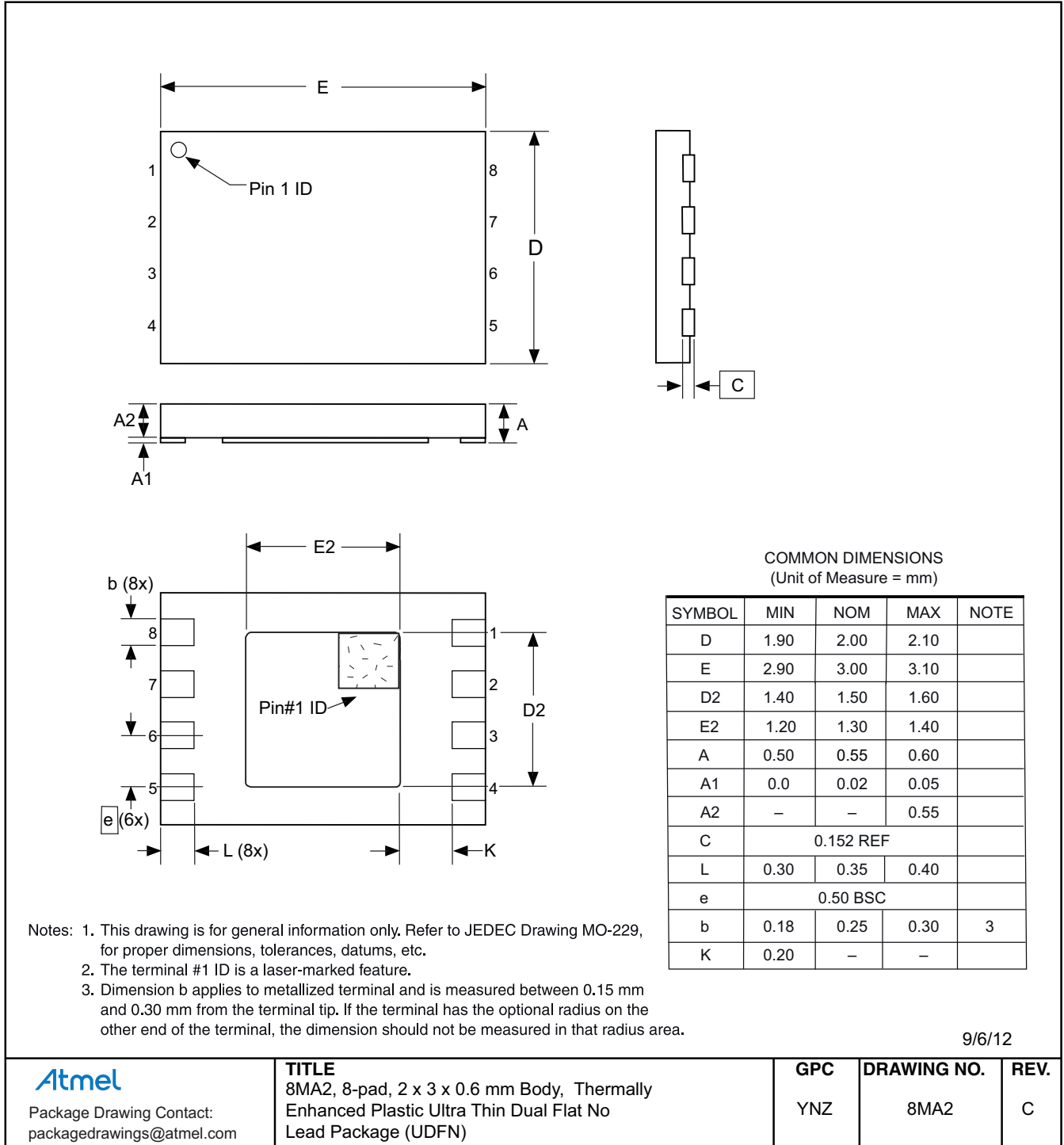
### 15.1 8S1 — 8-lead JEDEC SOIC



## 15.2 8XM — 8-lead MSOP



### 15.3 8MA2 — 8-pad UDFN





## 16. Errata

### 16.1 Fault Counter

**Issue:** The internal fault counter will be reset when updating the Configuration Register, the  $T_{HIGH}$  Limit Register, or the  $T_{LOW}$  Limit Register.

**Workaround:** None. The current version of the device was intentionally designed to operate this way; however, it has been discovered that resetting of the fault counter when updating the registers is not preferred.

**Resolution:** The operation of the device has been changed with a new revision of the device, AT30TSE752A/754A/758A, so updating the Configuration Register, the  $T_{HIGH}$  Limit Register, or the  $T_{LOW}$  Limit Register will not affect the internal fault counter. Please reference the Atmel AT30TSE752A/754A/758A datasheet.

**Issue:** After power-up, the device will not copy the contents of the NVFT1 and NVFT0 bits from the Nonvolatile Configuration Register into the FT1 and FT0 bits of the Configuration Register until after the first temperature conversion cycle has completed. As a result, both the FT1 and FT0 bits of the Configuration Register will be set to zero (Fault Tolerance Queue value of one) for the first temperature conversion cycle. Therefore, a single temperature fault could trigger the ALERT output for the very first temperature conversion after device power-up.

**Workaround:** None

**Resolution:** This issue has been corrected with a new revision of the device, AT30TSE752A/754A/758A, so the NVFT1 and NVFT0 bits will be copied into the FT1 and FT0 bits prior to the first temperature conversion cycle. Please reference the Atmel AT30TSE752A/754A/758A datasheet.

## 16.2 ALERT Pin

**Issue:** Depending on Power supply Ramp time, the ALERT pin may not be configured in the proper state to be a true open drain.

**Workaround:** The ALERT pin must be pulled-high using an external pull-up resistor even when it is not used. Care must also be taken to prevent this pin from being shorted directly to ground without a resistor at any time whether during testing or normal operation.

**Resolution:** The operation of the ALERT pin has been changed with a new revision of the device, AT30TSE752A/754A/758A, so it is a true open drain. Please reference the Atmel AT30TSE752A/754A/758A datasheet.

## 16.3 ALERT Pin State

**Issue:** When switching between Comparator and Interrupt modes (or vice versa) while the ALERT pin is active, the device will not retain its active alert state and will automatically deassert the ALERT pin.

**Workaround:** None.

**Resolution:** The operation of the ALERT pin has been changed with a new revision of the device, AT30TSE752A/754A/758A, so it will properly retain the ALERT pin status when switching modes. Please reference the Atmel AT30TSE752A/754A/758A datasheet.

## 17. Revision History

| Doc. Rev. | Date    | Comments   |
|-----------|---------|--|
| 8751F     | 04/2014 | End Of Life. AT30TSE752 replaced by AT30TSE752A; AT30TSE754 replaced by AT30TSE754A; AT30TSE758 replaced by AT30TSE758A.   |
|           | 09/2013 | Remove RSWP status check command to 63h in Software Write Protect section.<br>Add Software Write Protection to the Address Byte table.<br>Update AMR, DC Characteristics, Temperature Sensor Accuracy and Conversion Characteristics, and AC Characteristics tables.<br>Change maximum frequency in ordering codes from 3400kHz to 400kHz<br>Update Errata section.  |
| 8751E     | 07/2013 | Update errata section.<br>Correct RSWP status check command to 63h in Software Write Protect section.<br>Correct maximum frequency in ordering codes from 400kHz to 3400kHz<br>Update footers and disclaimer page.   |
| 8751D     | 08/2012 | Remove duplicate paragraph in description section.   |
| 8751C     | 06/2012 | Add $t_{PU}$ Power-Up condition.<br>Update Atmel logos and disclaimer page.  |
| 8751B     | 04/2012 | Update ALERT pin's function description and errata.<br>Update Power-up Timing figure.<br>Add device operation temperatures ( $-40^{\circ}\text{C}$ to $+125^{\circ}\text{C}$ ) accuracy guaranteed.<br>Add sensor accuracy typical $\pm 3.0$ and remove value from max.<br>Correct Clock High Time max value from 40kHz to 400kHz.<br>Change $45\mu\text{A}$ to $75\mu\text{A}$ for low power dissipation typical active current.<br>Change $0.1\mu\text{A}$ to $1\mu\text{A}$ for Shutdown mode typical active current.<br>Remove preliminary status.<br>Update template. |
| 8751A     | 03/2011 | Initial document release.  |



Atmel®, Atmel logo and combinations thereof, and others are registered trademarks or trademarks of Atmel Corporation or its subsidiaries. Other terms and product names may be trademarks of others.

DISCLAIMER: The information in this document is provided in connection with Atmel products. No license, express or implied, by estoppel or otherwise, to any intellectual property right is granted by this document or in connection with the sale of Atmel products. EXCEPT AS SET FORTH IN THE ATMEL TERMS AND CONDITIONS OF SALES LOCATED ON THE ATMEL WEBSITE, ATMEL ASSUMES NO LIABILITY WHATSOEVER AND DISCLAIMS ANY EXPRESS, IMPLIED OR STATUTORY WARRANTY RELATING TO ITS PRODUCTS INCLUDING, BUT NOT LIMITED TO, THE IMPLIED WARRANTY OF MERCHANTABILITY, FITNESS FOR A PARTICULAR PURPOSE, OR NON-INFRINGEMENT. IN NO EVENT SHALL ATMEL BE LIABLE FOR ANY DIRECT, INDIRECT, CONSEQUENTIAL, PUNITIVE, SPECIAL OR INCIDENTAL DAMAGES (INCLUDING, WITHOUT LIMITATION, DAMAGES FOR LOSS AND PROFITS, BUSINESS INTERRUPTION, OR LOSS OF INFORMATION) ARISING OUT OF THE USE OR INABILITY TO USE THIS DOCUMENT, EVEN IF ATMEL HAS BEEN ADVISED OF THE POSSIBILITY OF SUCH DAMAGES. Atmel makes no representations or warranties with respect to the accuracy or completeness of the contents of this document and reserves the right to make changes to specifications and products descriptions at any time without notice. Atmel does not make any commitment to update the information contained herein. Unless specifically provided otherwise, Atmel products are not suitable for, and shall not be used in, automotive applications. Atmel products are not intended, authorized, or warranted for use as components in applications intended to support or sustain life.

SAFETY-CRITICAL, MILITARY, AND AUTOMOTIVE APPLICATIONS DISCLAIMER: Atmel products are not designed for and will not be used in connection with any applications where the failure of such products would reasonably be expected to result in significant personal injury or death ("Safety-Critical Applications") without an Atmel officer's specific written consent. Safety-Critical Applications include, without limitation, life support devices and systems, equipment or systems for the operation of nuclear facilities and weapons systems. Atmel products are not designed nor intended for use in military or aerospace applications or environments unless specifically designated by Atmel as military-grade. Atmel products are not designed nor intended for use in automotive applications unless specifically designated by Atmel as automotive-grade.