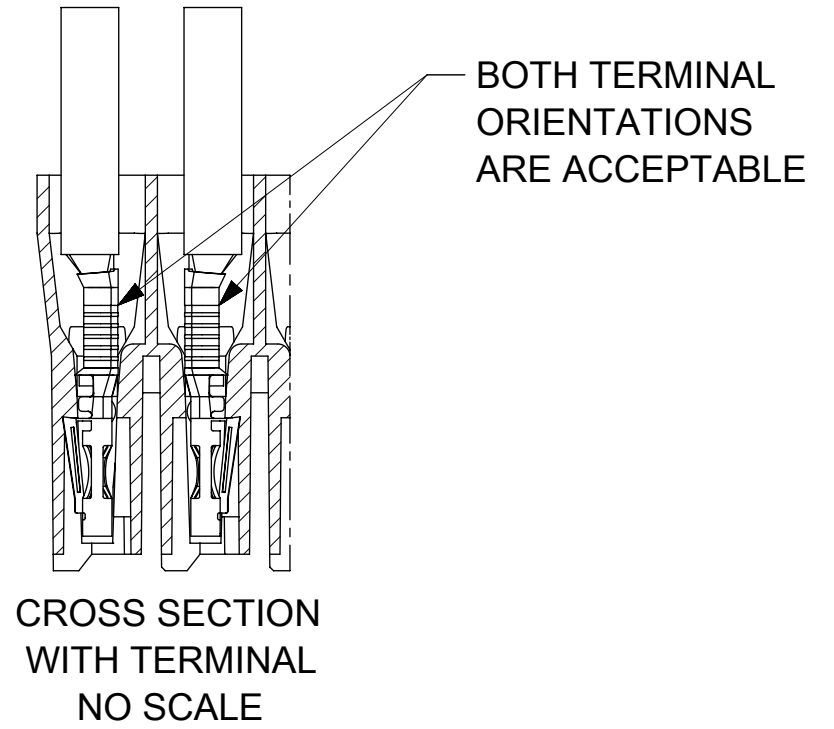
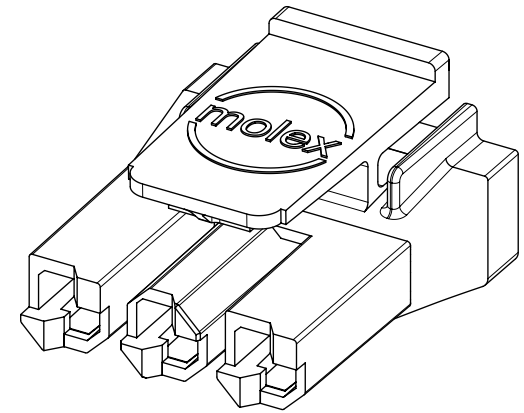
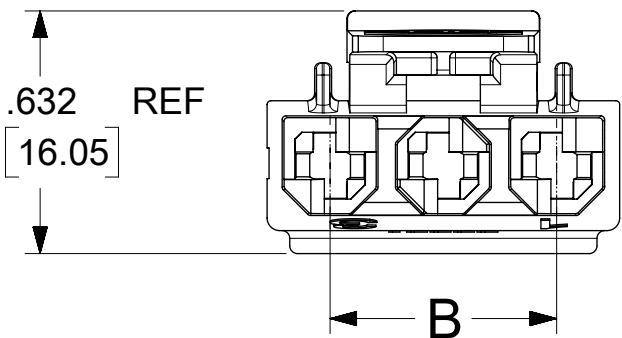


CIRCUITS	DIM A	DIM B
2	.623±.010 (15.82±0.25)	.295±.006 (7.49±0.15)
3	.918±.010 (23.32±0.25)	.590±.008 (14.99±0.20)
4	1.213±.010 (30.82±0.25)	.885±.008 (22.48±0.20)
5	1.508±.010 (38.30±0.25)	1.180±.008 (29.97±0.20)
6	1.803±.010/-0.015 (45.80 +0.25/-0.38)	1.475±.010 (37.47±0.25)
8	2.393±.010 (60.78±0.25)	2.065±.008 (52.45±0.20)

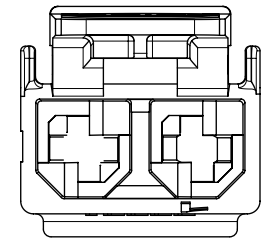


- NOTES:**
1. MATERIAL: SEE CHART.
  2. THIS CONNECTOR HOUSING FOR USE WITH 43375-\*\*\*\* TERMINALS.
  3. THIS CONNECTOR HOUSING WILL MATE TO A-43160-\*\*\*\*, 43180-\*\*\*\*, AND 43680-\*\*\*\* HOUSINGS.
  4. PRODUCT SPECIFICATION: PSX-44441-9999.
  5. PACKAGING: PK-44441-001.
  6. FOR V-0 AND GLOW-WIRE MATERIAL: PARTS CONFORM TO CLASS 'B' REQUIREMENTS OF COSMETIC SPECIFICATION PS-45499-002 BUT, MEETS CLASS 'C' REQUIREMENTS FOR BUBBLES, SINK AND DISCOLORATION.
  7. TEXT ON PART IS FOR REFERENCE ONLY. TEXT AND TEXT LOCATION MAY VARY DEPENDING ON PART NUMBER AND/OR TOOL.
  8. LAST CIRCUIT I.D. NOT PRESENT ON 2 CIRCUIT PARTS.
  9. DIMENSION C IS .600/(15.24) FOR 2 AND 8 CIRCUIT PARTS DIMENSION C IS .632/(16.05) FOR ALL OTHER CIRCUIT SIZES.
  10. THIS DRAWING REPLACES DRAWINGS SD-44441-\*

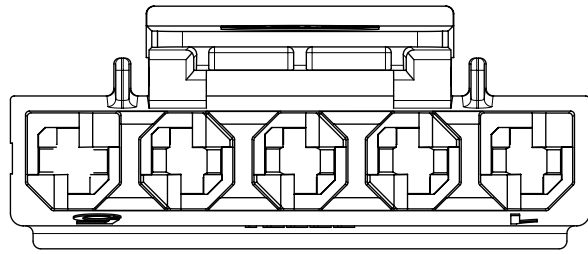
SYMBOLS		THIS DRAWING CONTAINS INFORMATION THAT IS PROPRIETARY TO MOLEX ELECTRONIC TECHNOLOGIES, LLC AND SHOULD NOT BE USED WITHOUT WRITTEN PERMISSION	
▽ = 0	DIMENSION UNITS	SCALE	CURRENT REV DESC: UPDATE TOLERANCES
▽ = 0	IN/MM	2:1	
▽ = 0	GENERAL TOLERANCES (UNLESS SPECIFIED)		
▽ = 0		MM	INCH
▽ = 0	4 PLACES ±		
▽ = 0	3 PLACES ±	± 0.01	
▽ = 0	2 PLACES ±	± 0.25 ± 0.014	
▽ = 0	1 PLACE ±	± 0.35 ±	
▽ = 0	0 PLACES ±		
▽ = 0	ANGULAR TOL	± 0.5°	
▽ = 0	DRAFT WHERE APPLICABLE	THIRD ANGLE PROJECTION	DRAWING
▽ = 0	MUST REMAIN WITHIN DIMENSIONS	B-SIZE	SERIES
		44441	
DOCUMENT STATUS		EC NO: 604166	
P1	RELEASE DATE	DRWN: JBAUMERT 2018/09/07	
2018/09/13	17:17:27	CHK'D: MKIPPER 2018/09/12	
		APPR: FSMITH 2018/09/13	44441 SABRE RECEPTACLE TPA HOUSING
		INITIAL REVISION:	PRODUCT CUSTOMER DRAWING
		DRWN: CSLAFTER 2016/12/28	DOCUMENT NUMBER
		APPR: JDFOX 2016/12/30	444410000-SD
			DOC TYPE
			PSD
			DOC PART
			000
			REVISION
			A1
			SHEET NUMBER
			1 OF 2

CIRCUITS	ITEM NUMBER	MATERIAL	COLOR
2	44441-1002	PA66 NYLON, UL94V-2	NATURAL (TRANSLUCENT)
3	44441-1003		
4	44441-1004		
5	44441-1005		
6	44441-1006	PA66 NYLON, UL94V-2	BLACK
2	44441-2002	PA66 NYLON, UL94V-0	BLACK
3	44441-2003		
4	44441-2004		
5	44441-2005		
6	44441-2006		
8	44441-2008		
2	44441-3002	PA66 NYLON, UL94V-2 IEC 60335-1 GLOW WIRE CAPABLE	BLACK
3	44441-3003		
4	44441-3004		
5	44441-3005		
6	44441-3006		
8	44441-3008		

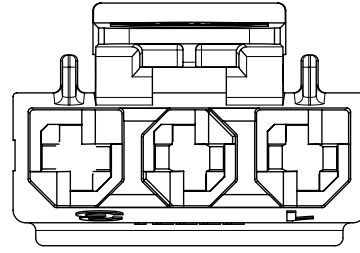
## POLARIZATION LAYOUT



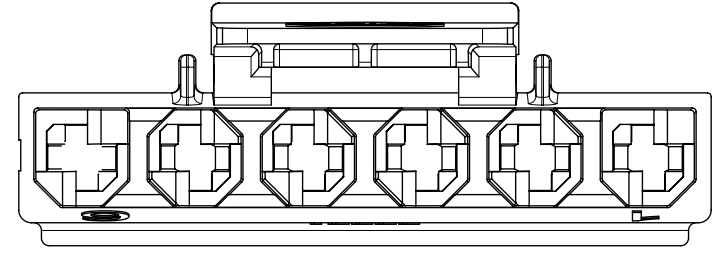
2-CKT.



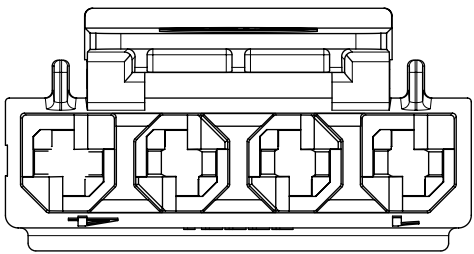
5-CKT.



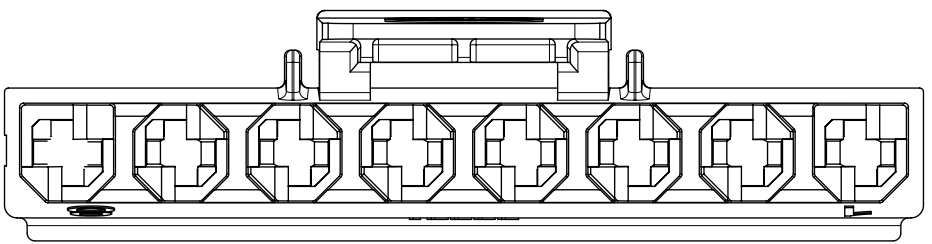
3-CKT.



6-CKT.



4-CKT.



8-CKT.

<b>SYMBOLS</b> = 0 = 0 = 0 = 0 = 0 = 0 = 0 = 0 = 0	THIS DRAWING CONTAINS INFORMATION THAT IS PROPRIETARY TO MOLEX ELECTRONIC TECHNOLOGIES, LLC AND SHOULD NOT BE USED WITHOUT WRITTEN PERMISSION		CURRENT REV DESC: UPDATE TOLERANCES		  44441 SABRE RECEPTACLE TPA HOUSING  PRODUCT CUSTOMER DRAWING																			
	DIMENSION UNITS <b>IN/MM</b>	SCALE <b>2:1</b>	EC NO: 604166 DRWN: JBAUMERT 2018/09/07 CHK'D: MKIPPER 2018/09/12 APPR: FSMITH 2018/09/13			DOCUMENT NUMBER <b>444410000-SD</b>																		
	GENERAL TOLERANCES (UNLESS SPECIFIED)		INITIAL REVISION: DRWN: CSLAFTER 2016/12/28 APPR: JDFOX 2016/12/30			DOC TYPE DOC PART REVISION PSD 000 <b>A1</b>																		
	<table border="1"> <tr> <th></th> <th>MM</th> <th>INCH</th> </tr> <tr> <td>4 PLACES ±</td> <td></td> <td></td> </tr> <tr> <td>3 PLACES ±</td> <td></td> <td>± 0.01</td> </tr> <tr> <td>2 PLACES ±</td> <td>± 0.25</td> <td>± 0.014</td> </tr> <tr> <td>1 PLACE ±</td> <td>± 0.35</td> <td></td> </tr> <tr> <td>0 PLACES ±</td> <td></td> <td></td> </tr> </table>		MM	INCH		4 PLACES ±			3 PLACES ±		± 0.01	2 PLACES ±	± 0.25	± 0.014	1 PLACE ±	± 0.35		0 PLACES ±			ANGULAR TOL ± 0.5°	DRAFT WHERE APPLICABLE MUST REMAIN WITHIN DIMENSIONS	THIRD ANGLE PROJECTION 	DRAWING SERIES <b>B-SIZE 44441</b>
	MM	INCH																						
4 PLACES ±																								
3 PLACES ±		± 0.01																						
2 PLACES ±	± 0.25	± 0.014																						
1 PLACE ±	± 0.35																							
0 PLACES ±																								