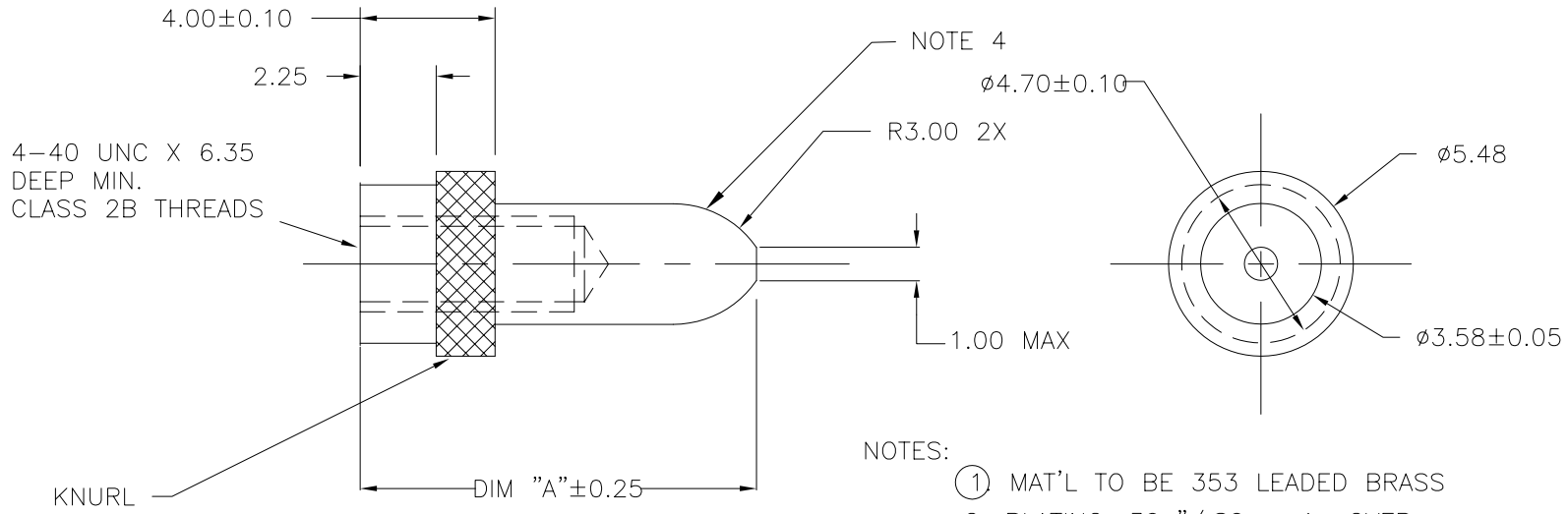


PART NUMBER	SPECIAL PACKAGING (5)	DIM "A"
63786-001	----	11.50
63786-002	63786-002SP	32.00
63786-004	----	14.50
63786-005	----	16.00
63786-006	63786-006SP	24.00
63786-007	----	28.90
63786-008	----	13.00



- NOTES:
- (1) MAT'L TO BE 353 LEADED BRASS
 2. PLATING: 30u"/.80um Au OVER
50u"/1.30um Ni
 3. UNSPECIFIED ANGLES 45°
 - (4) R3mm IS TANGENT TO Ø3.60mm SURFACE.
 - (5) SP = SPECIAL PACKAGING @ 10 PCS PER PACKAGE

mat'l. code		surface		tolerance		projection		product family	
NOTE 1		ISO 1302 ✓		ISO 406 ISO 1101		⊕		METRAL (tm)	
ltr	ecr	no	dr	date	tolerances unless otherwise specified		title		
A	V94312	MDF	11/4/98	11/4/98	angles	linear	MM		POWER PIN, ROUND TIP MODULE, 5 ROW
B	V94406	HTB	12/1/99	12/1/99					
C	V00746	LSS	3/7/00	0'±2'			scale 5:1		
D	V12292	CGD	10/04/01	dr	C.DAILY	6/10/02	dwg no		
E	V21013	CGD	06/10/02	enr	M.GRAY	6/10/02	sheet 1 of 1 size		
F	V05-0666	TAB	07/15/05	chr	M.GRAY	6/10/02	63786		A3
G	M06-0277	MHT	7/22/06	appd	M.GRAY	6/10/02	type Product Customer Drawing		
sheet	revision	G							
index	sheet	1							



Copyright FCI