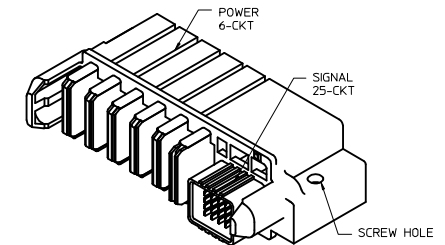
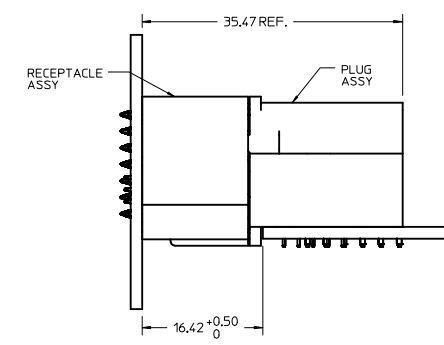
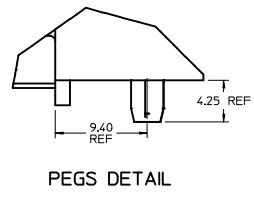
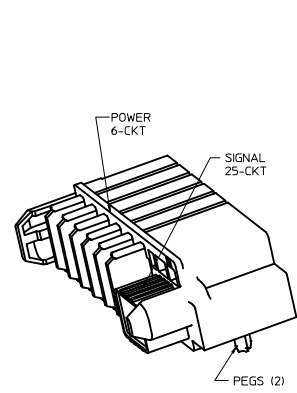
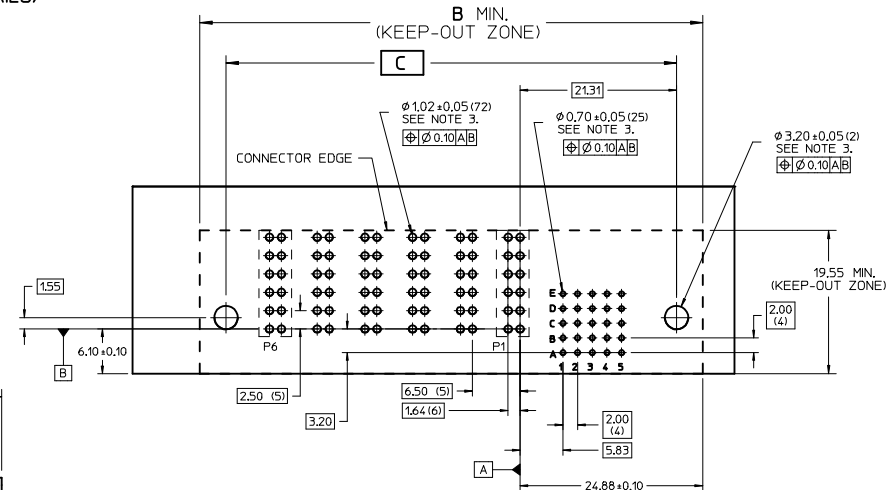
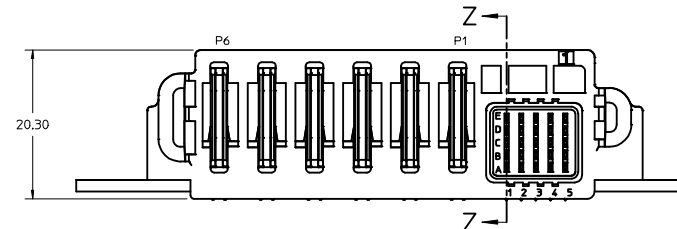


PART NUMBER	PEGS	TAILS	CKT SIZE	DIM 'A'	DIM 'B'	DIM 'C' BASIC
171097-2250	NO	SOLDER TAILS	25 SIGNAL - 6 POWER	67.50	68.50	61.37
171097-0250	NO		25 SIGNAL - 4 POWER	54.50	55.5	48.37
171097-0251	NO		25 SIGNAL - 2 POWER	41.50	42.50	35.37
171097-3250	YES		25 SIGNAL - 6 POWER	67.50	68.50	61.37
171097-1250	YES		25 SIGNAL - 4 POWER	54.50	55.5	48.37
171097-1251	YES		25 SIGNAL - 2 POWER	41.50	42.50	35.37

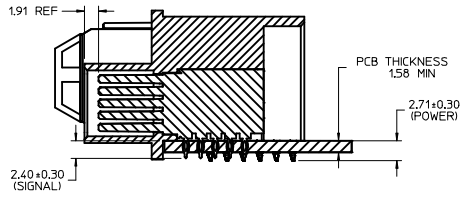
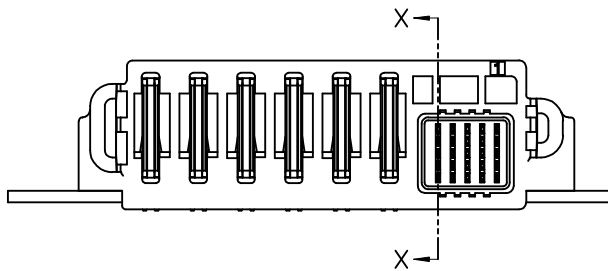


RECOMMENDED PCB LAYOUT AND KEEP-OUT ZONE (SOLDER TAILS)

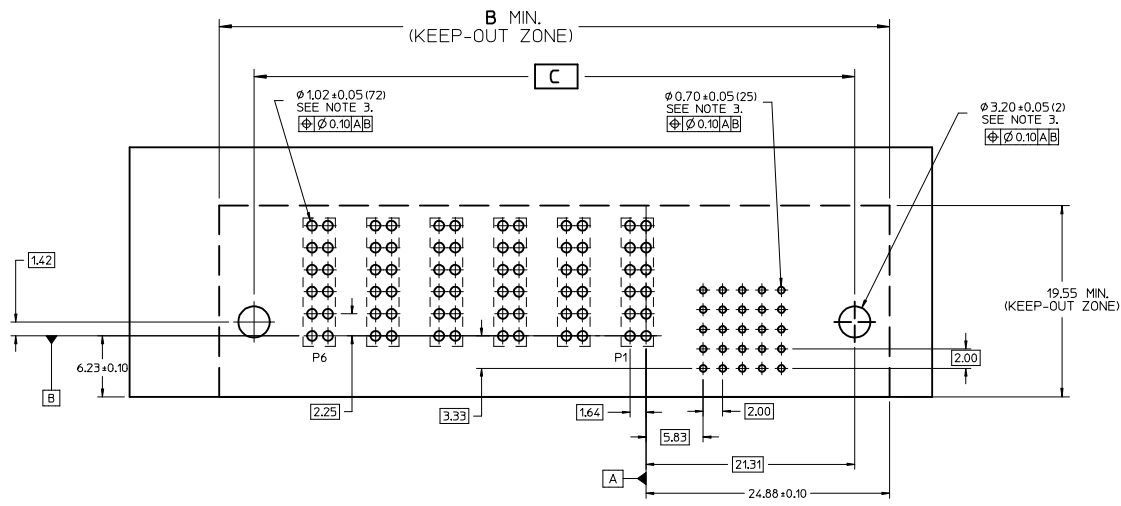
- NOTES:
- MATERIAL:
 - HOUSINGS: LCP UL94 V-0, COLOR: BLACK.
 - TERMINALS: HIGH CONDUCTIVITY COPPER ALLOY
 - PLATING: 1.27 MICROMETER NICKEL OVERALL WITH 2.54 MICROMETER SELECTIVE TIN ON TAILS AND 0.762 MICROMETER SELECTIVE GOLD ON CONTACT AREA.
 - PACKAGING ASSEMBLIES TO BE TRAY PACKED PER PK 171097-0100.
 - PC BOARD REQUIRES SOLDER THRU HOLES. REFER TO PS-171097-100 FOR DETAILS.
 - PRODUCT SPEC.: PS-171097-100.
 - APPLICATION SPEC.: AS-171097-100.
 - SEE PRODUCT SPEC. FOR ROHS REQUIREMENTS.
 - ASSEMBLY MATES WITH MOLEX RECEPTACLE ASSEMBLY, P/N 171098-0XXX.

ADD 2P VERSIONS EC NO. UCP2013-2089 DRAWN BY: SCHAEFER 2012/11/17 CHKD: APPR: APATEL 2012/12/04 REV:	QUALITY SYMBOLS	GENERAL TOLERANCES (UNLESS SPECIFIED)	DIMENSION STYLE MM ONLY	SCALE 3:1	DESIGN UNITS METRIC	THIRD ANGLE PROJECTION
		4 PLACES ± mm ± INCH 3 PLACES ± --- ± --- 2 PLACES ± 0.25 ± --- 1 PLACE ± 0.25 ± --- ANGULAR ±1/2°	DRAWN BY: MKARADI MAS 2011/06/06 CHECKED BY: DATE E. KINSLEY 2012/01/30 APPROVED BY: DATE APATEL 2012/03/15			
	DRAFT WHERE APPLICABLE MUST REMAIN WITHIN DIMENSIONS	SEE CHART	MATERIAL NO. DOCUMENT NO. SD-171097-0100	MOLEX INCORPORATED	SHEET NO. 1 OF 2	

PART NUMBER	PEGS	TAILS	CKT SIZE	DIM 'A'	DIM 'B'	DIM 'C'
171097-6250	NO	COMPLIANT TAILS	25 SIGNAL - 6 POWER	67.50	68.50	61.37
171097-4250	NO		25 SIGNAL - 4 POWER	54.50	55.5	48.37
171097-8250	NO		25 SIGNAL - 2 POWER	41.50	42.50	35.37
171097-7250	YES		25 SIGNAL - 6 POWER	67.50	68.50	61.37
171097-5250	YES		25 SIGNAL - 4 POWER	54.50	55.5	48.37
171097-9250	YES		25 SIGNAL - 2 POWER	41.50	42.50	35.37



SECTION X-X
(COMPLIANT PIN)



RECOMMENDED PCB LAYOUT AND KEEP-OUT ZONE
(COMPLIANT TAILS)

COMPLIANT PIN PLUG ASSY
(FOR ADDITIONAL DIMENSIONS SEE SEE SHT 1 OF 2)

SEE SHT 1 IEC NO. UCP2013-2089 DRAWN BY: SCHAEFER 2012/11/17 CHKD: APPR: APATEL REV: DESCRIPTION	QUALITY SYMBOLS		GENERAL TOLERANCES (UNLESS SPECIFIED)		DIMENSION STYLE		SCALE	DESIGN UNITS	THIRD ANGLE PROJECTION
	$\nabla=0$ $\nabla=0$ $\nabla=0$		mm INCH 4 PLACES ± ± 3 PLACES ± ± 2 PLACES ±0.25 ± 1 PLACE ±0.25 ± 0 PLACE ± ±		MM ONLY DRAWN BY: DATE MKARADI MAS 2011/06/06 CHECKED BY: DATE E. KINSLEY 2012/01/30 APPROVED BY: DATE APATEL 2012/03/15		3:1	METRIC	RA PLUG ASSY ENERGETIC
	ANGULAR ±1/2° DRAFT WHERE APPLICABLE MUST REMAIN WITHIN DIMENSIONS		MATERIAL NO. SEE CHART		DOCUMENT NO. SD-171097-0100				SHEET NO. 2 OF 2
	THIS DRAWING CONTAINS INFORMATION THAT IS PROPRIETARY TO MOLEX INCORPORATED AND SHOULD NOT BE USED WITHOUT WRITTEN PERMISSION								