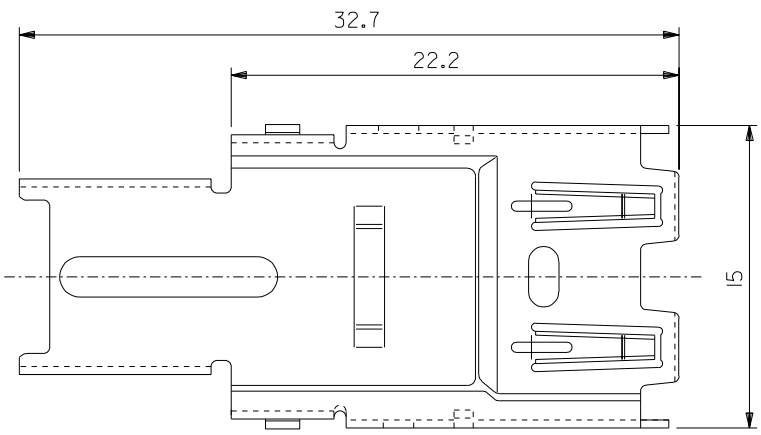
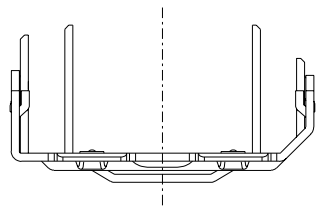
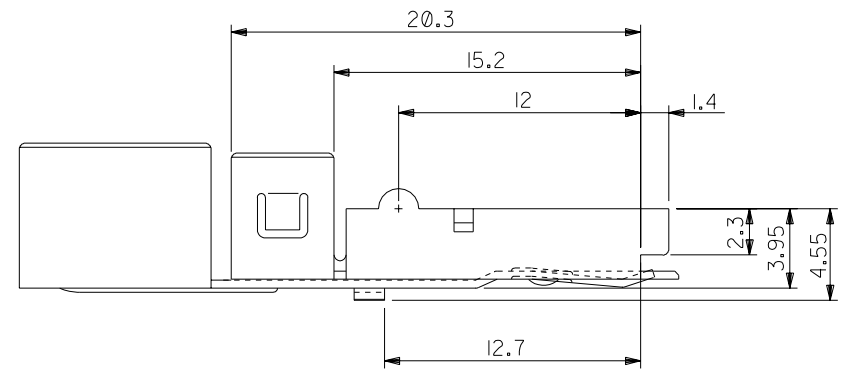


DWG. NO.
SD-58934-003



注記
NOTES

1. 材質 : りん青銅 t0.4
MATERIAL : PHOSPHOR BRONZE t0.4
2. メッキ仕様
PLATING
ニッケル下地、錫メッキ
NICKEL BASE , TIN PLATING
3. 適用ハウジング アッセンブリ : 55445-1019
APPLICABLE HOUSING ASS'Y : 55445-1019
4. 適用圧着ハウジング : 51209-1001
APPLICABLE CRIMP HOUSING : 51209-1001
5. 本製品は 58934-1000 の鉛フリー品である。
THIS PRODUCT IS LEAD FREE OF 58934-1000.

58934-1028	58934-10**
MATERIAL.NO	MODEL.NO
DIMENSIONS:	
<input type="checkbox"/> mm	<input type="checkbox"/> INCH
<input checked="" type="checkbox"/> mm	<input type="checkbox"/> INCH
<input type="checkbox"/> ONLY	<input type="checkbox"/> ONLY
SHT	REV
REVISE ON	CAD ONLY

DO NOT SCALE DRAWING

EC NO. DRWN: CHK: APPR:	EC NO. DRWN: CHK: APPR:	EC NO. DRWN: CHK: APPR:	EC NO. DRWN: CHK: APPR:	EC NO. DRWN: CHK: APPR:
RELEASED'04/04/14	EC NO. J2004-3790	DRWN: M.NABEI	CHK: K.TOJO	APPR: M.SASAO
0	REV	DESCRIPTION		

MATERIAL 材料	注記参照 SEE NOTES.
FINISH 仕上げ	注記参照 SEE NOTES
WIRE RANGE 適用電線範囲	—
INS. RANGE 被覆外径	—

GENERAL TOLERANCES: (UNLESS SPECIFIED) 一般公差	SCALE 4-1	DESIGN UNITS <input checked="" type="checkbox"/> mm <input type="checkbox"/> INCH
10 UNDER 未満	±0.2	DRAWN BY & DATE M.NABEI '04/04/14
10 OVER 30 UNDER 以上 未満	±0.25	CHECKED BY & DATE K.TOJO '04/04/14
30 OVER 以上	±0.3	APPROVED BY & DATE M.SASAO '04/04/14
ANGLE 角度	±3°	CAD FILENAME SD-58934-003.S01

THIRD ANGLE PROJECTION	TITLE: 2.0 I/O PLUG SHELL BODY -LEAD FREE-
MOLEX MOLEX INCORPORATED	
MATERIAL NO. SEE CHART	DRAWING NO. SD-58934-003
SHEET NO. 1 OF 1	

THIS DRAWING CONTAINS INFORMATION THAT IS PROPRIETARY TO MOLEX INCORPORATED AND SHOULD NOT BE USED WITHOUT WRITTEN PERMISSION.

SIZE
B

SD-58934-003.S01