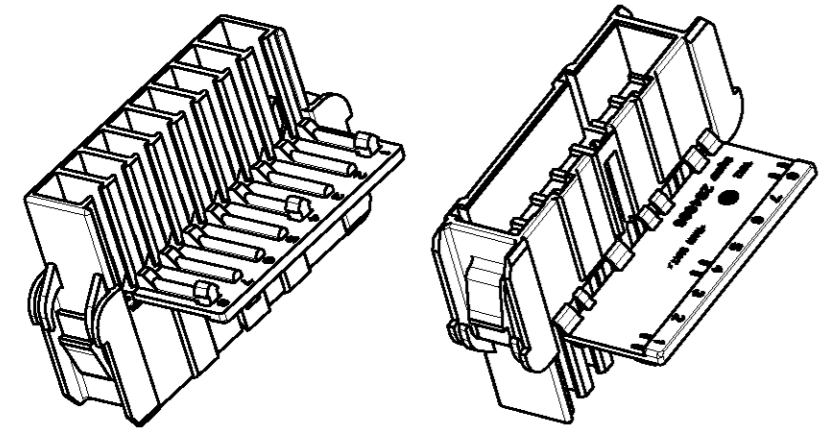
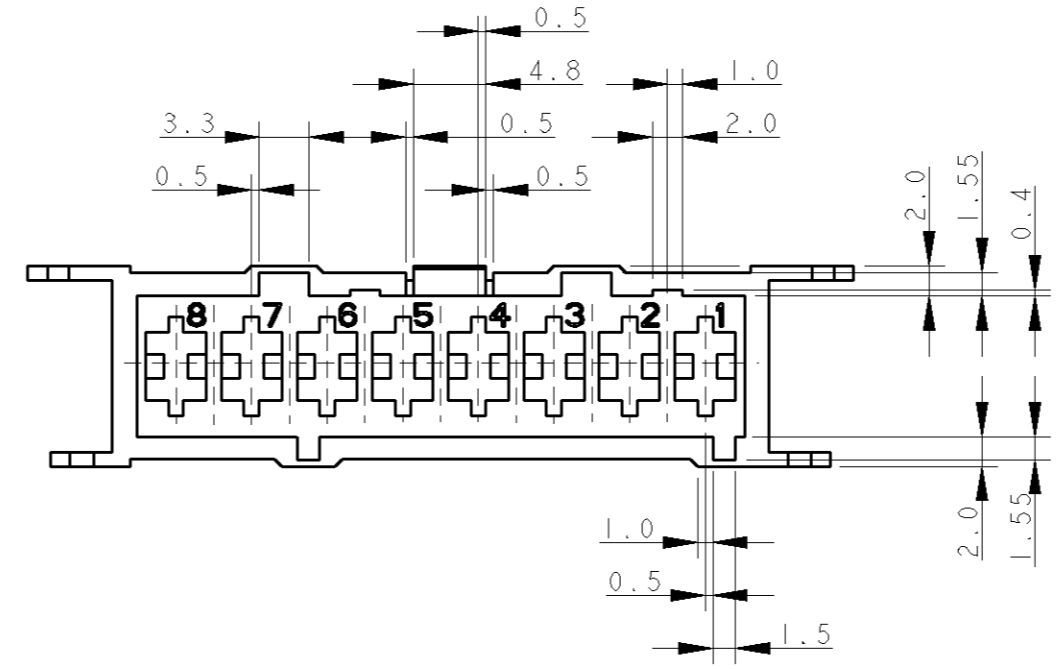


THIS DRAWING IS UNPUBLISHED. RELEASED FOR PUBLICATION 2003
 © COPYRIGHT 2003 BY TYCO ELECTRONICS CORPORATION. ALL RIGHTS RESERVED.

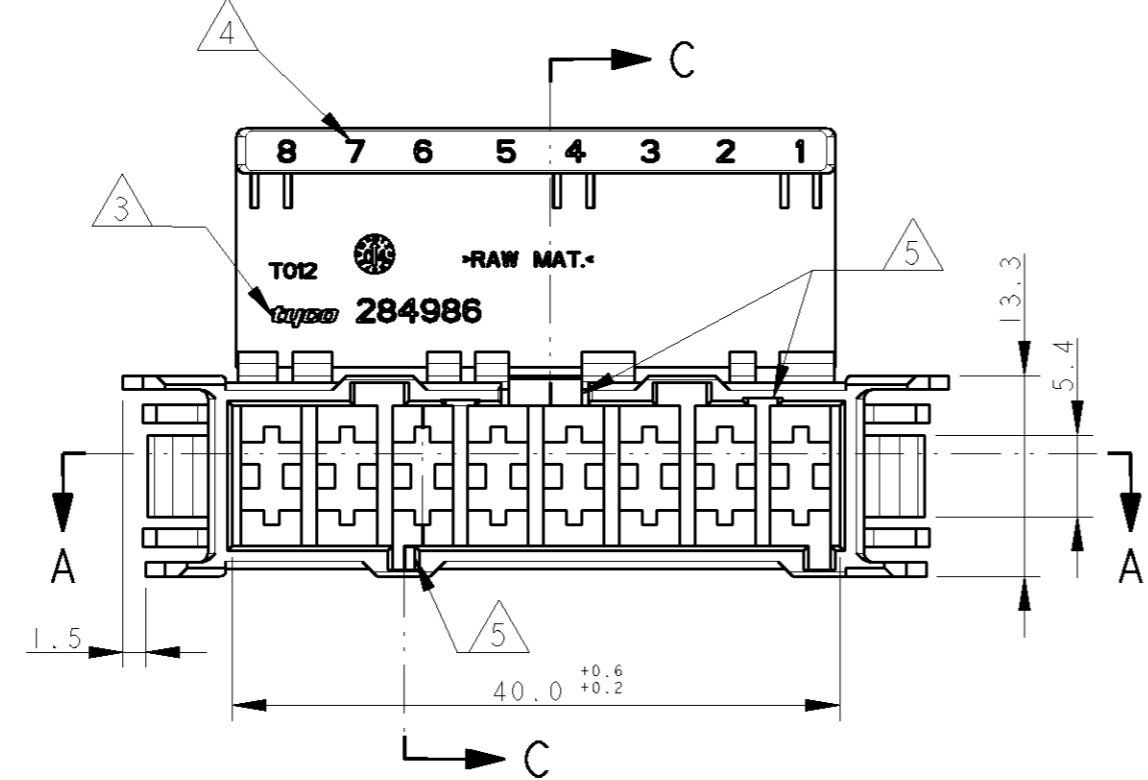
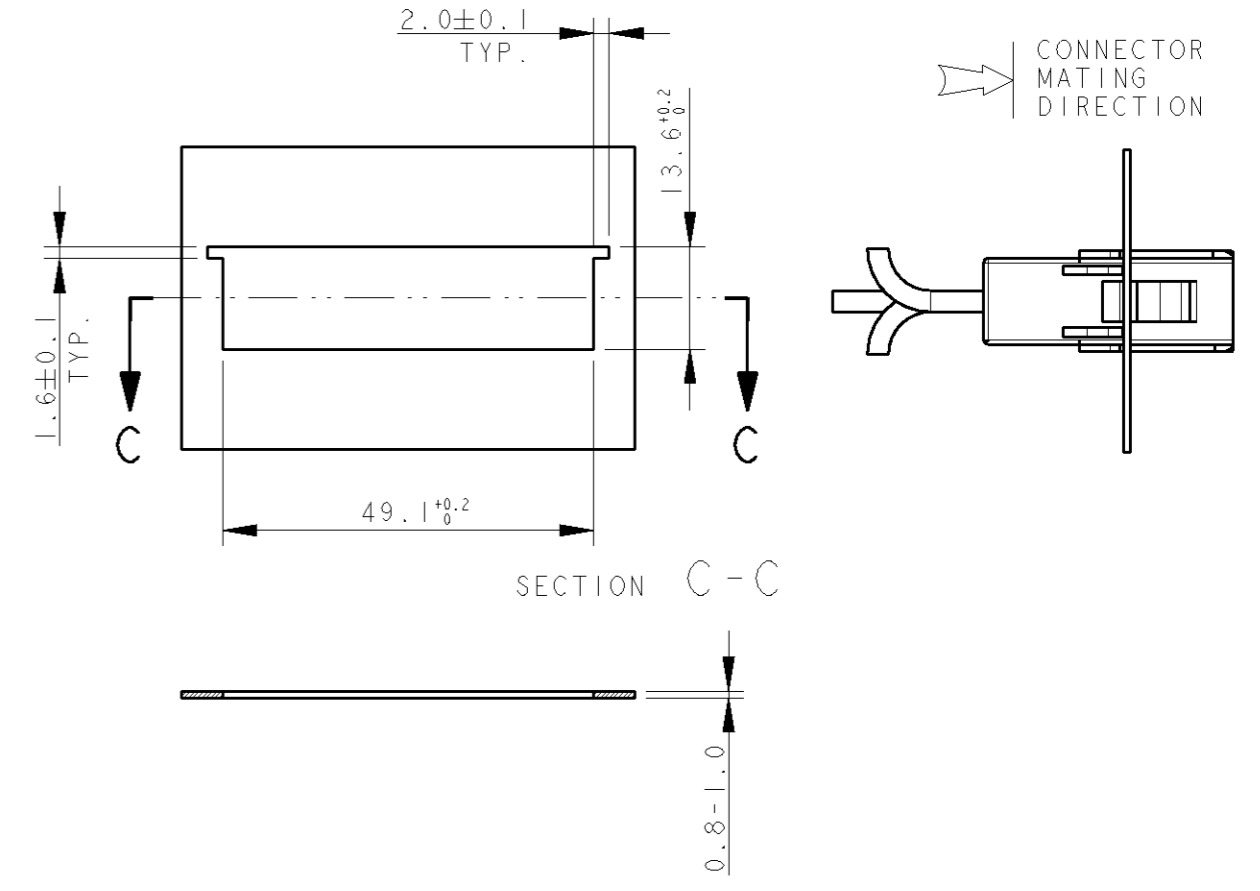
LOC	DIST	REVISIONS			
P	LTR	DESCRIPTION	DATE	DWN	APVD
A1		REDRAWN, ET00-0132-04	21 JUN 2004	HY	GT
B		RELEASED FOR ECR-05-001314	08 APR 2005	HY	GT
C		ADDED P/N 284986-2	17 FEB 2009	HY	GT

POLARIZATION KEYS SCHEME

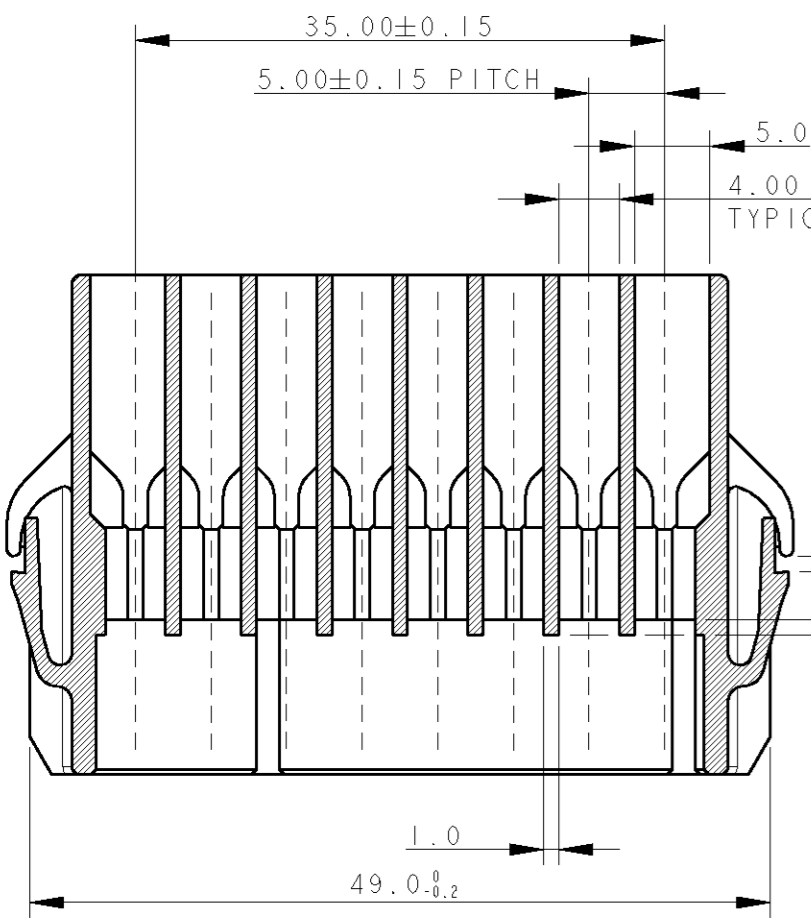


SCALE 1:1

PANEL MOUNT DIMENSIONS
SCALE 1:1

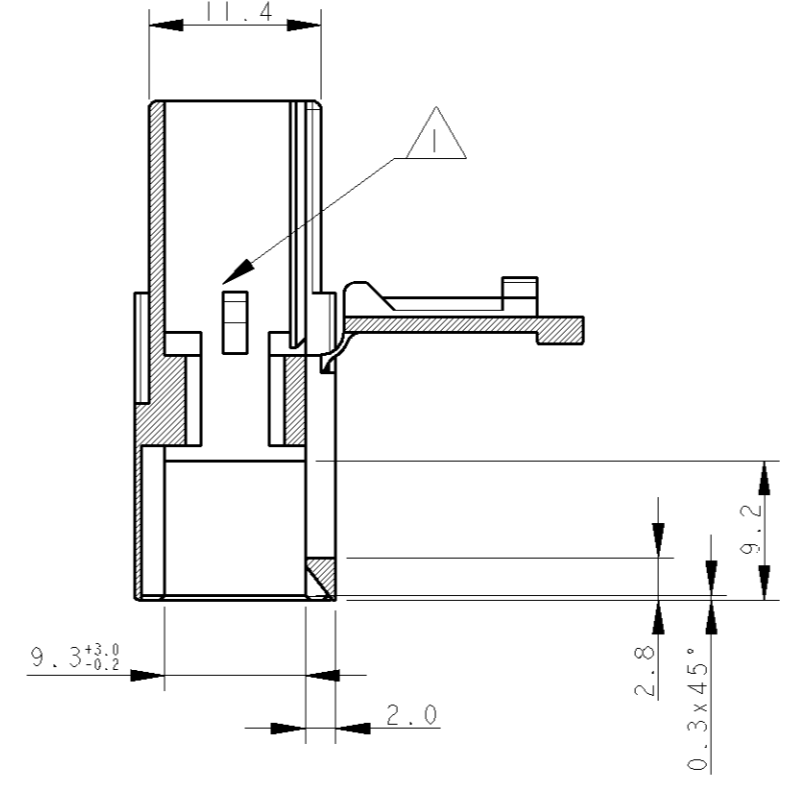


SECTION A-A



SUITABLE FOR
0.8-1.0 mm PANEL THK.

SECTION C-C

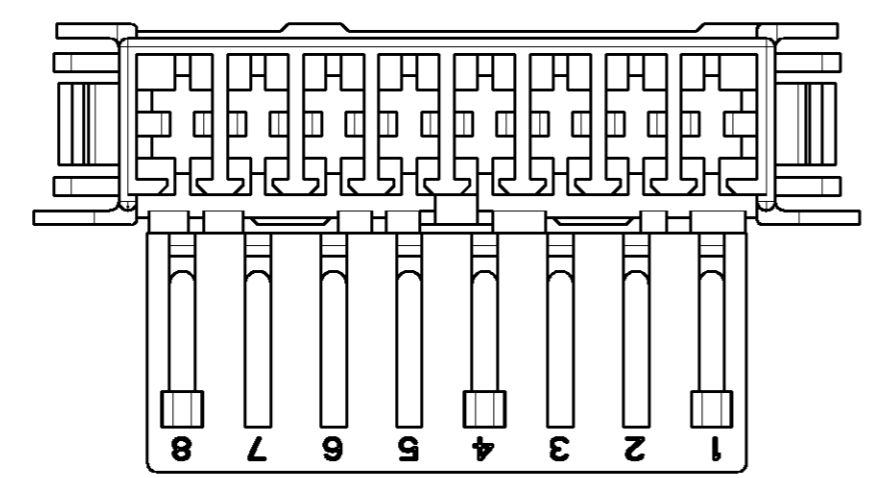


- ① TYPICAL CAVITY SUITABLE FOR:
FASTIN-FASTON TAB CONTACTS 6.3 mm SRS:
P/N: 60294, 0.3-0.8 mm² WIRE RANGE
160691, 0.3-0.8 mm² WIRE RANGE
AMPLIVAR CONTACTS:
P/N: 141051, 0.1-0.5 mm² WIRE RANGE
142411, 0.3-1.6 mm² WIRE RANGE
MAX. INSULATION DIA. 2.8 mm,
MAX. INSULATION CRIMP WIDTH 3.3 mm.
- ② PA6 UNFILLED, NATURE COLOUR
"SHULAMID 6MV 14 K1681"
- ③ TE TRADEMARK "LOGO" AND
TYCO ELECTRONICS "PART NUMBER"
OPTIONAL POSITION.
- ④ CIRCUIT IDENTIFICATION NUMBERS, 1 TO 8
- ⑤ POLARIZATION KEYS DIMENSIONS AND POSITIONS
ARE ACCORDING TO "RAST 5" NORM

P/N 284986-1 AS SHOWN

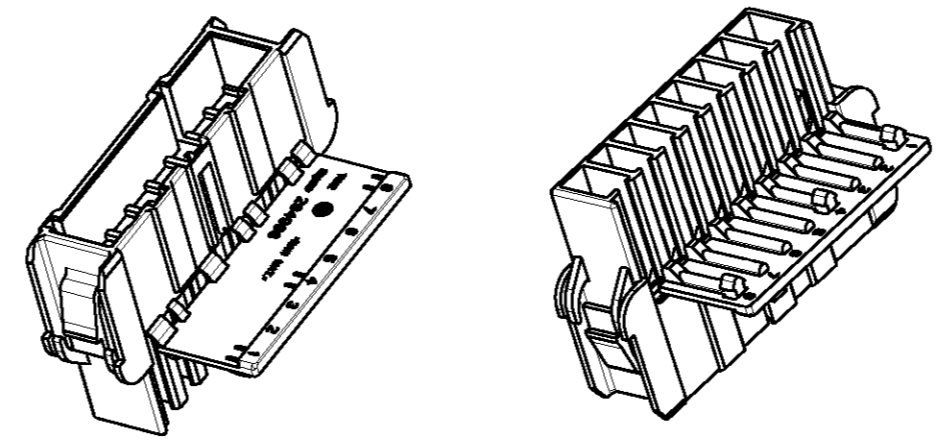
NOTE	COLORE (COLOUR)	MATERIALE (MATERIAL)	NUMERO (TE P/N)	REV
SEE SHEET 2 FOR DETAILS	NATURALE (NATUR)	VEDI NOTA 2 (SEE NOTE 2)	284986-2	C
	NATURALE (NATUR)	VEDI NOTA 2 (SEE NOTE 2)	284986-1	B

THIS DRAWING IS A CONTROLLED DOCUMENT FOR TYCO ELECTRONICS CORPORATION IT IS SUBJECT TO CHANGE AND THE CONTROLLING ENGINEERING ORGANIZATION SHOULD BE CONTACTED FOR THE LATEST REVISION.		DWN H. YAALI 16 JUN 2004 CHK C. TARTARI APVD -	tyco Electronics tyco Electronics AMP Italia S.p.A. C.so F. Cervi, 15 COLLEGGNO (TO)
DIMENSIONS: mm	TOLERANCES UNLESS OTHERWISE SPECIFIED: 0 PLC ± 1 PLC ±0.3 2 PLC ± 3 PLC ± 4 PLC ± ANGLES ±° FINISH	PRODUCT SPEC 108-20256 APPLICATION SPEC - WEIGHT 9.9 GR CUSTOMER DRAWING	NAME 8 POS. FASTIN-FASTON Connector TAB HOUSING, RAST 5 0.8-1.0 MM THK. PANEL MOUNT VERSION SIZE A2 CAGE CODE 00779 DRAWING NO. C-284986 RESTRICTED TO -
SEE TABLE		SCALE 2:1	SHEET 1 OF 2 REV C

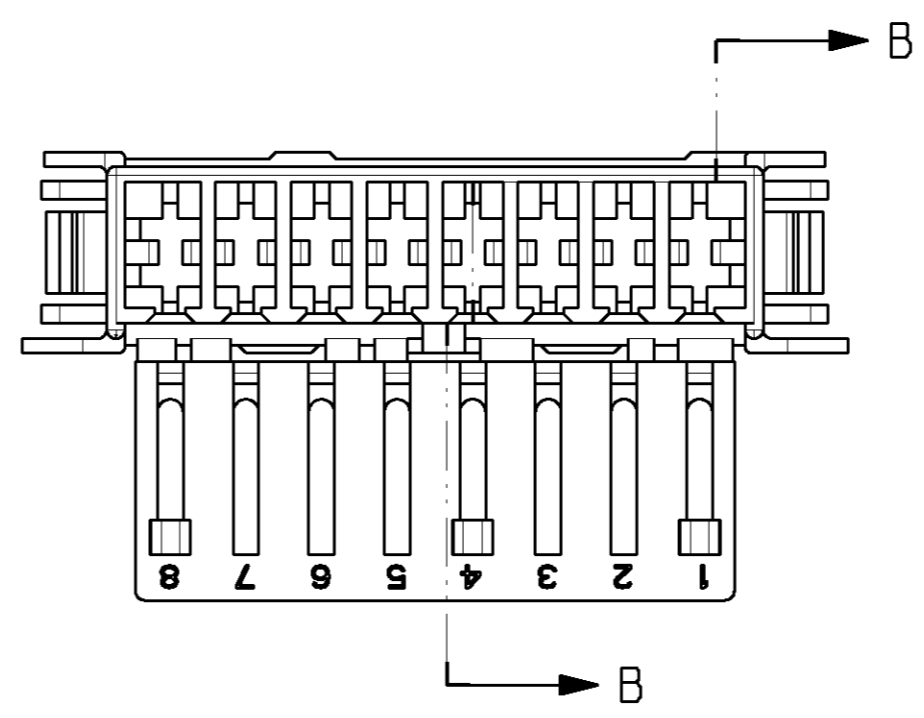
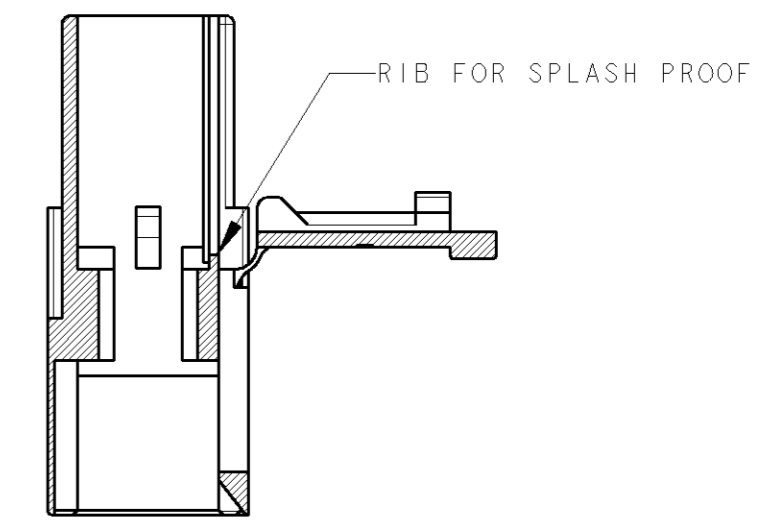
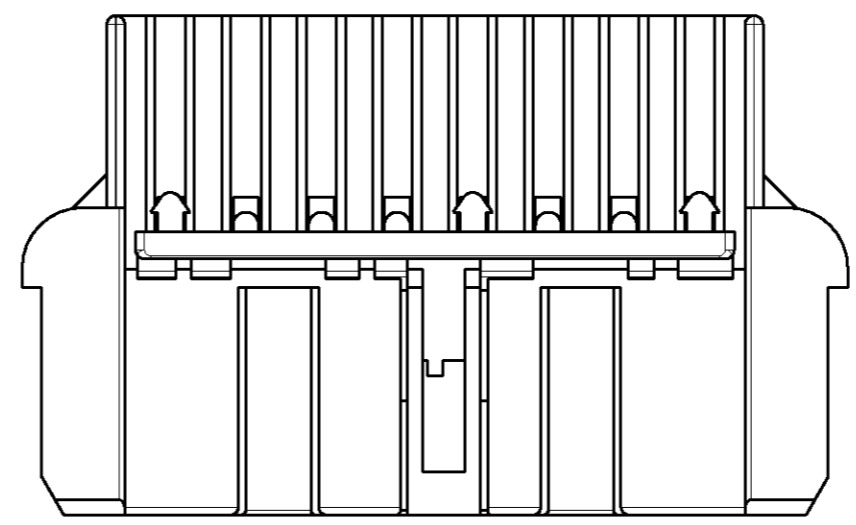


THIS DRAWING IS UNPUBLISHED. RELEASED FOR PUBLICATION 2003
 © COPYRIGHT 2003 BY TYCO ELECTRONICS CORPORATION. ALL RIGHTS RESERVED.

LOC	DIST	REVISIONS					
		P	LTR	DESCRIPTION	DATE	DWN	APVD
		-		SEE SHEET 1			



SECTION B-B



P/N 284986-2 AS SHOWN
 FOR OTHER DETAILS REFER TO SHEET 1

<small>THIS DRAWING IS A CONTROLLED DOCUMENT FOR TYCO ELECTRONICS CORPORATION IT IS SUBJECT TO CHANGE AND THE CONTROLLING ENGINEERING ORGANIZATION SHOULD BE CONTACTED FOR THE LATEST REVISION.</small>		DWN 16 JUN 2004 H. YAALI CHK C. TARTARI APVD -	tyco Electronics tyco Electronics AMP Italia S.p.A. C.so F. Cervi, 15 COLLEGNO (TO)
DIMENSIONS: mm	TOLERANCES UNLESS OTHERWISE SPECIFIED: 0 PLC ± 1 PLC ±0.3 2 PLC ± 3 PLC ± 4 PLC ± ANGLES ±° FINISH	PRODUCT SPEC 108-20256 APPLICATION SPEC - WEIGHT - CUSTOMER DRAWING	NAME 8 POS. FASTIN-FASTON Connector TAB HOUSING, RAST 5 0.8-1.0 MM THK. PANEL MOUNT VERSION SIZE A2 CAGE CODE 00779 DRAWING NO. C-284986 RESTRICTED TO - SCALE 2:1 SHEET 2 OF 2 REV C