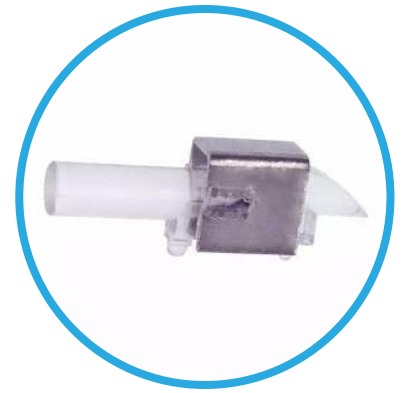




7520A10-TRLF

.640" Length

SMT Light Pipe



Right Angle on Tape and Reel Light Pipe .640" Length

Key Benefits

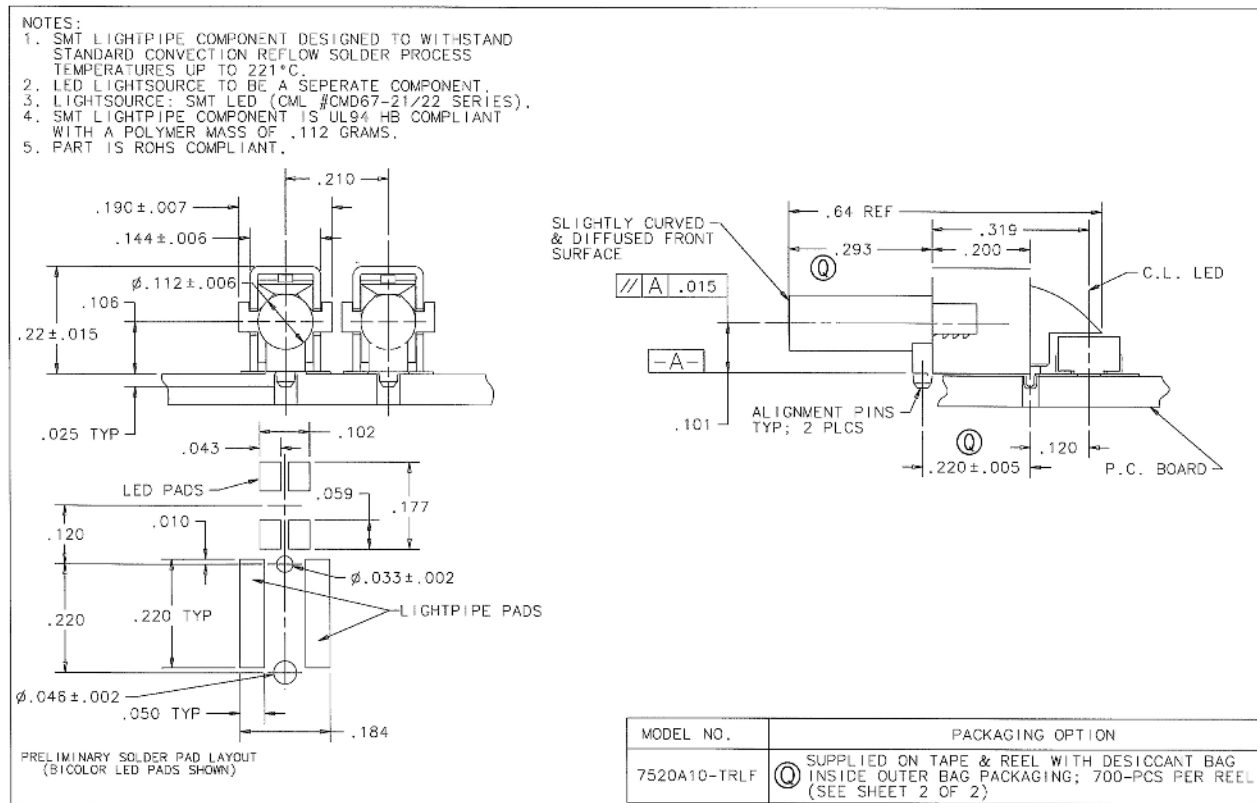
- SMT Lightpipe component designed to withstand standard convection reflow solder process temperatures up to 221°C
- ESD protection from circuitry for exceptional reliability
- LED light source to be a separate component.
- Light source: SMT LED (CMD67-21/22 series)
- SMT Lightpipe component is UL94 HB compliant with a polymer mass of 112 grams.
- 7520A10 is designed for use with CMD67-21/22 Series LEDs
- UL 94 V-2 & UL 94 HB compliant
- ROHS compliant

Compliances and Approvals



Product Dimensions

All dimensions are in inches



Tape and Reel Dimensions

All dimensions are in inches

