

TABLE 1

MOLEX P/N	ENG. NO.	CABLE LENGTH (mm)	LED
1202510001	BKB8000-FBW-05	5000	NO
1202510002	BKB8000-FBW-10	10000	NO
1202510003	BKB8000-FBW-15	15000	NO
1202510004	BKB800P-FBW-05	5000	YES
1202510005	BKB800P-FBW-10	10000	YES
1202510006	BKB800P-FBW-15	15000	YES
1202510007	BKB800N-FBW-05	5000	YES
1202510008	BKB800N-FBW-10	10000	YES
1202510009	BKB800N-FBW-15	15000	YES

TABLE 2 BILL OF MATERIAL

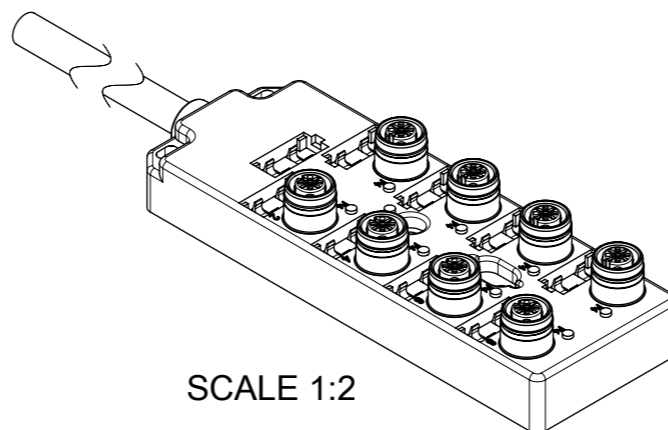
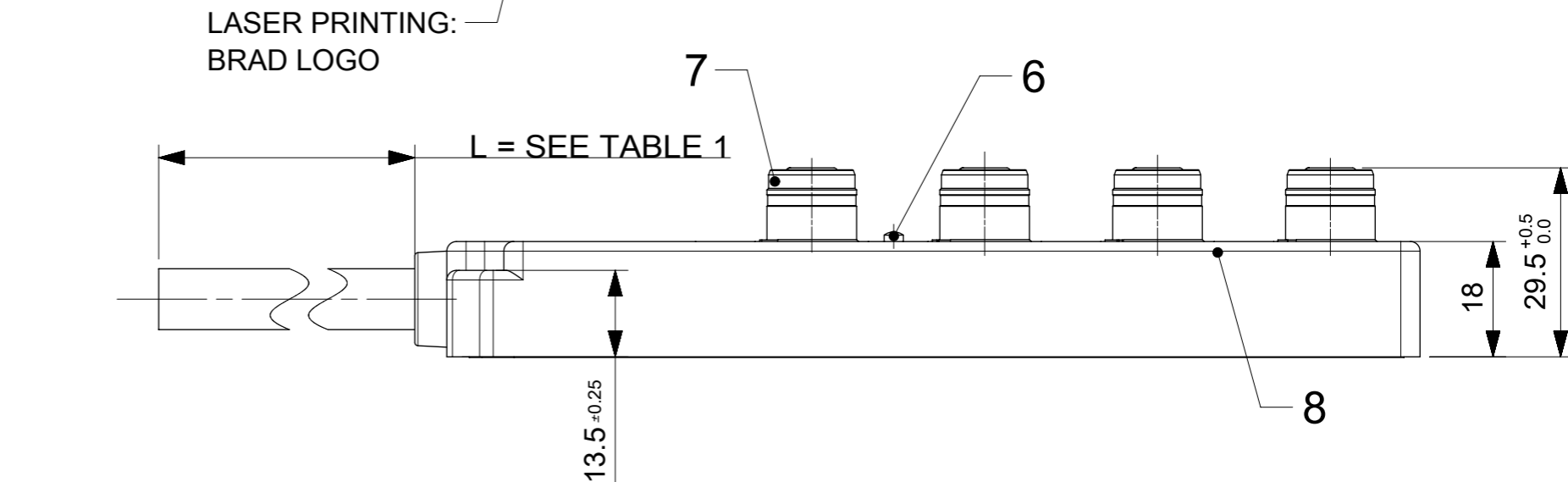
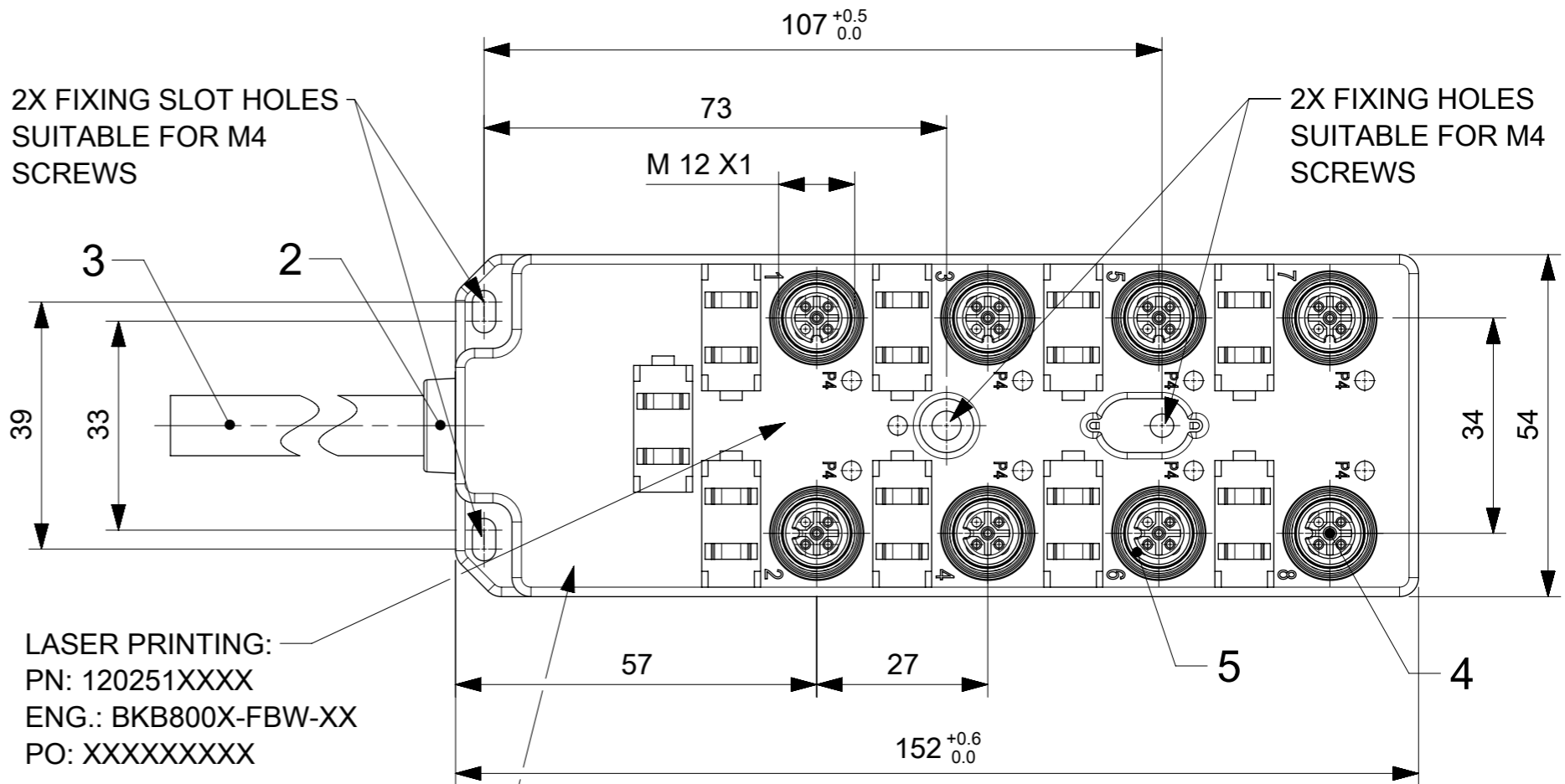
ITEM	DESCRIPTION	MATERIAL	FINISH
1	LABEL	ABS	WHITE
2	CABLE PLATE	PBT	BLACK
3	CABLE	TPU BASED	BLACK
4	CONTACT	BRONZE	GOLD OVER NICKEL
5	O-RING	FPM	RED
6	LED	NO LED = PA	BLACK
		WITH LED = PA	TRANSPARENT
7	SHELL	BRASS	NICKEL PLATED
8	HOUSING	PBT	BLACK



GENERAL CHARACTERISTICS:

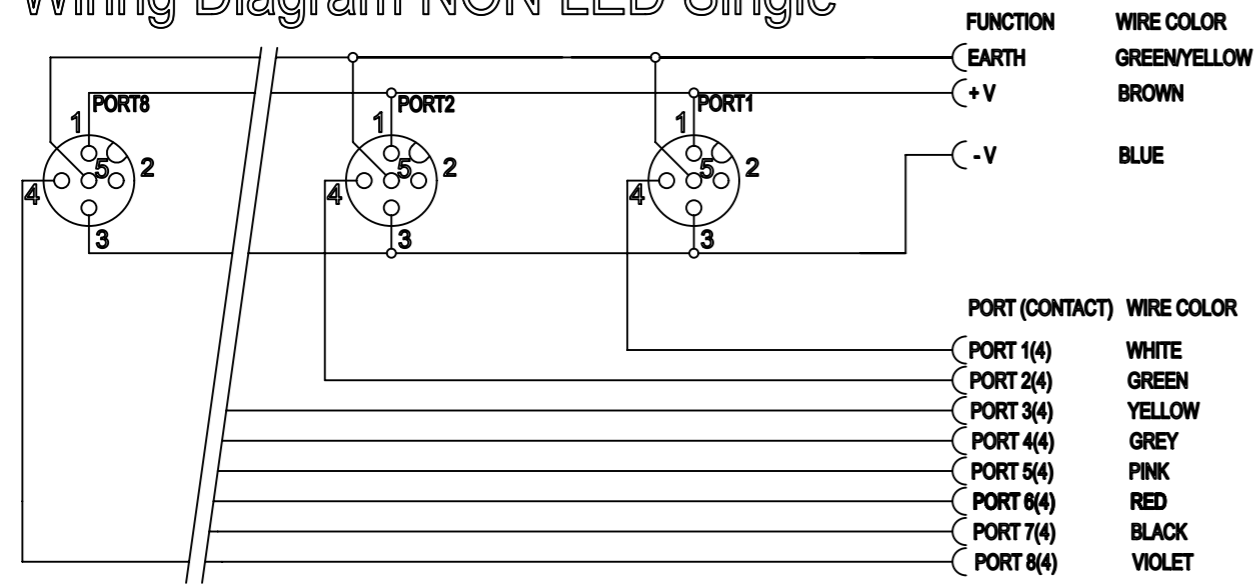
ELECTRICAL AND MECHANICAL DATA ACC. TO IEC 61076-2-101

NOMINAL VOLTAGE: 10-30 V DC
 AMPERE RATING: 4 A PER PORT / 12 A MAX
 AMPERE RATING WITH UL REGISTRATION: 3 A PER PORT / 9 A MAX
 IP DEGREE OF PROTECTION: IP 67
 TEMPERATURE RANGE: -25°C to + 85°C

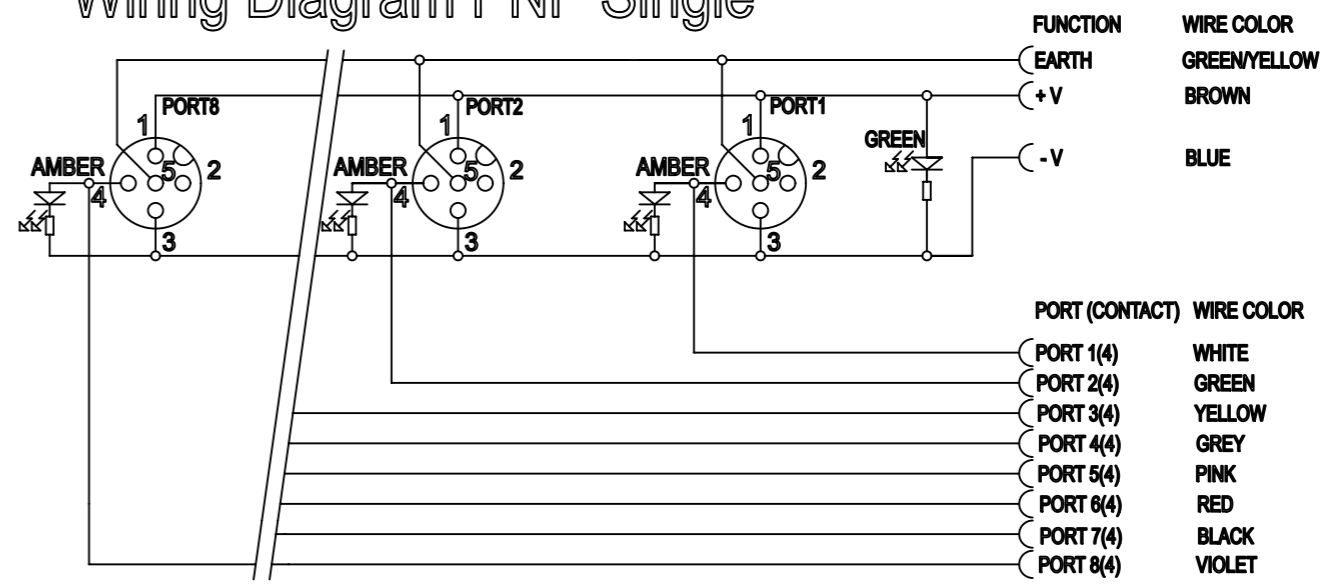


SYMBOLS		THIS DRAWING CONTAINS INFORMATION THAT IS PROPRIETARY TO MOLEX ELECTRONIC TECHNOLOGIES, LLC AND SHOULD NOT BE USED WITHOUT WRITTEN PERMISSION	
DIMENSION UNITS	SCALE	CURRENT REV DESC: INITIAL RELEASE	
mm	1:1	molex MPIS U12 NON PNP NPN 4P 8PT BK XM SINGLE	
GENERAL TOLERANCES (UNLESS SPECIFIED)			
ANGULAR TOL	± 1.0°	EC NO: 631635 DRWN: MDHARMANTI 2020/01/27 CHK'D: RSILLER 2020/02/05 APPR: RSILLER 2020/02/05	
4 PLACES	±	INITIAL REVISION: DRWN: SSM 2018/11/30 APPR: RSILLER 2020/01/17	
3 PLACES	±	PRODUCT CUSTOMER DRAWING DOCUMENT NUMBER: 1202510001 DOC TYPE: PSD DOC PART: 000 REVISION: A1	
2 PLACES	± 0.05	MATERIAL NUMBER: SEE TABLE 1 CUSTOMER: GENERAL MARKET SHEET NUMBER: 1 OF 2	
1 PLACE	± 0.3	DRAFT WHERE APPLICABLE MUST REMAIN WITHIN DIMENSIONS	
0 PLACES	± 0.5	THIRD ANGLE PROJECTION DRAWING: A3-SIZE SERIES: 120251	

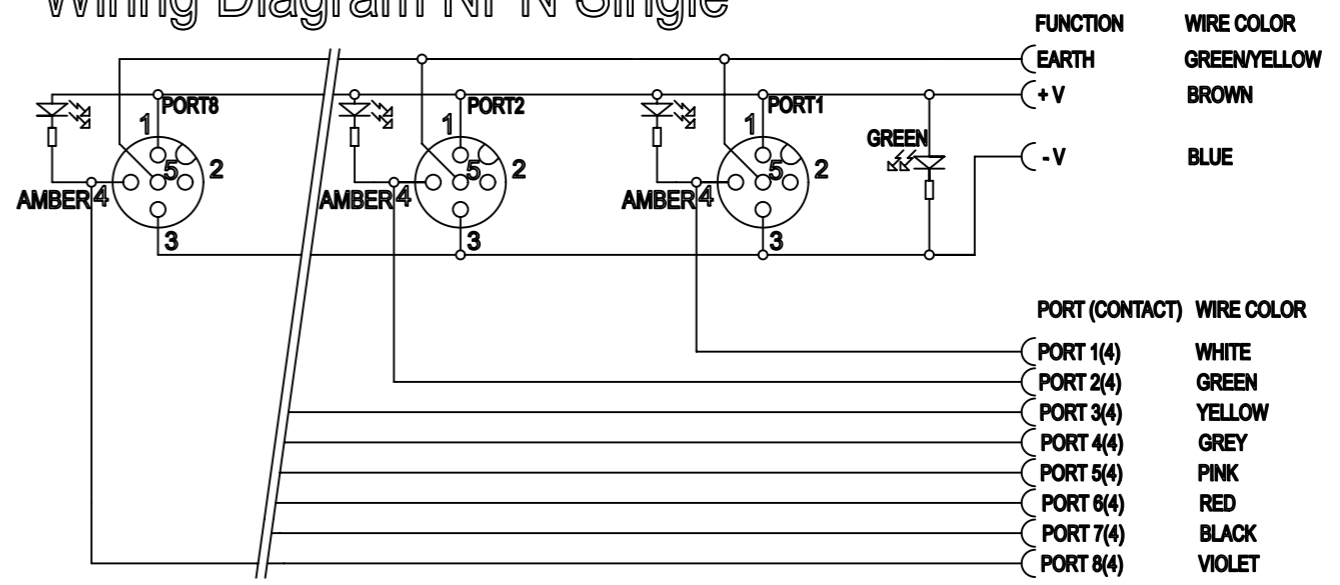
Wiring Diagram NON LED Single



Wiring Diagram PNP Single



Wiring Diagram NPN Single



CABLE LENGTH TOLERANCES

LENGTH [m]	TOLERANCE [mm]
0-1	+40
>1-5	+60
>5-10	+80
>10-20	+140
>20-30	+160
>30	+1% length

SYMBOLS	THIS DRAWING CONTAINS INFORMATION THAT IS PROPRIETARY TO MOLEX ELECTRONIC TECHNOLOGIES, LLC AND SHOULD NOT BE USED WITHOUT WRITTEN PERMISSION	CURRENT REV DESC: INITIAL RELEASE																			
	<table border="1"> <tr> <th>DIMENSION UNITS</th> <th>SCALE</th> </tr> <tr> <td>mm</td> <td>1:1</td> </tr> </table> <p>GENERAL TOLERANCES (UNLESS SPECIFIED)</p> <table border="1"> <tr> <td>ANGULAR TOL</td> <td>± 1.0°</td> </tr> <tr> <td>4 PLACES</td> <td>±</td> </tr> <tr> <td>3 PLACES</td> <td>±</td> </tr> <tr> <td>2 PLACES</td> <td>± 0.05</td> </tr> <tr> <td>1 PLACE</td> <td>± 0.3</td> </tr> <tr> <td>0 PLACES</td> <td>± 0.5</td> </tr> </table> <p>DRAFT WHERE APPLICABLE MUST REMAIN WITHIN DIMENSIONS</p>	DIMENSION UNITS	SCALE			mm	1:1	ANGULAR TOL	± 1.0°	4 PLACES	±	3 PLACES	±	2 PLACES	± 0.05	1 PLACE	± 0.3	0 PLACES	± 0.5	<p>EC NO: 631635</p> <p>DRWN: MDHARMANTI 2020/01/27</p> <p>CHK'D: RSILLER 2020/02/05</p> <p>APPR: RSILLER 2020/02/05</p> <p>INITIAL REVISION:</p> <p>DRWN: SSM 2018/11/30</p> <p>APPR: RSILLER 2020/01/17</p>	<p>MPIS U12 NON PNP NPN 4P 8PT BK XM SINGLE</p> <p>PRODUCT CUSTOMER DRAWING</p>
DIMENSION UNITS	SCALE																				
mm	1:1																				
ANGULAR TOL	± 1.0°																				
4 PLACES	±																				
3 PLACES	±																				
2 PLACES	± 0.05																				
1 PLACE	± 0.3																				
0 PLACES	± 0.5																				
<table border="1"> <tr> <th>THIRD ANGLE PROJECTION</th> <th>DRAWING</th> <th>SERIES</th> <th>MATERIAL NUMBER</th> <th>CUSTOMER</th> <th>SHEET NUMBER</th> </tr> <tr> <td></td> <td>A3-SIZE</td> <td>120251</td> <td>SEE TABLE 1</td> <td>GENERAL MARKET</td> <td>2 OF 2</td> </tr> </table>	THIRD ANGLE PROJECTION	DRAWING	SERIES	MATERIAL NUMBER	CUSTOMER	SHEET NUMBER		A3-SIZE	120251	SEE TABLE 1	GENERAL MARKET	2 OF 2	<table border="1"> <tr> <th>DOCUMENT NUMBER</th> <th>DOC TYPE</th> <th>DOC PART</th> <th>REVISION</th> </tr> <tr> <td>1202510001</td> <td>PSD</td> <td>000</td> <td>A1</td> </tr> </table>	DOCUMENT NUMBER	DOC TYPE	DOC PART	REVISION	1202510001	PSD	000	A1
THIRD ANGLE PROJECTION	DRAWING	SERIES	MATERIAL NUMBER	CUSTOMER	SHEET NUMBER																
	A3-SIZE	120251	SEE TABLE 1	GENERAL MARKET	2 OF 2																
DOCUMENT NUMBER	DOC TYPE	DOC PART	REVISION																		
1202510001	PSD	000	A1																		