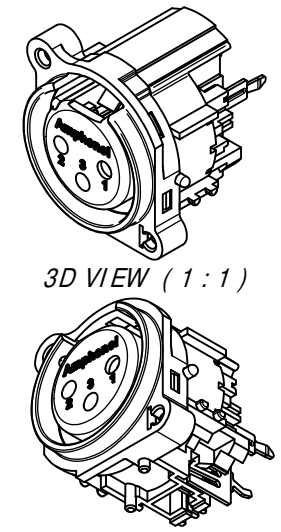
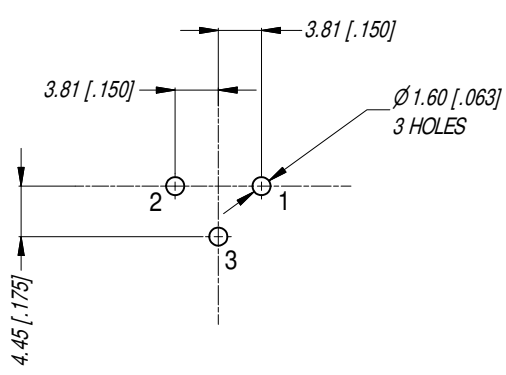


MIN MOUNTING PITCH (1:1)



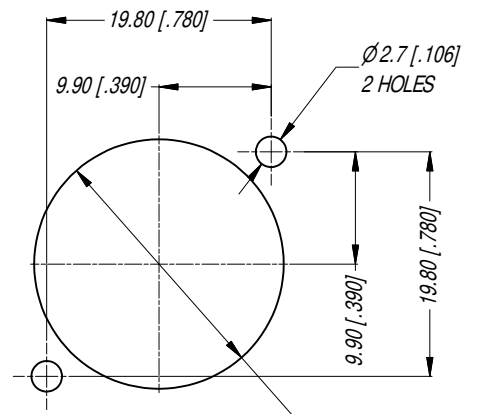
3D VIEW (1:1)



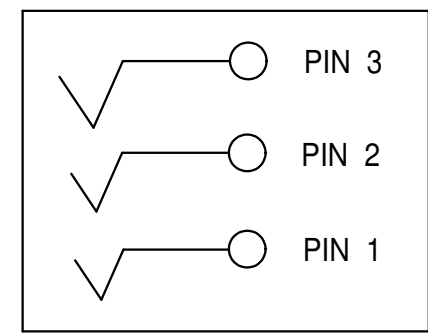
PCB LAYOUT

LAYOUT TOLERANCE : $\pm 0.05 [\pm .002 \text{ in}]$

NOTE: DIMENSIONS IN PARENTHESES ARE IN INCHES.



PANEL CUT OUT REAR VIEW



SCHEMATIC CHART

NOTE: SUFFIX "B" IN THE PART No INDICATES BULK PACK.

UNLESS OTHERWISE SPECIFIED TOLERANCE TO BE:		THIS DOCUMENT IS THE PROPERTY OF AMPHENOL AUSTRALIA PTY. LTD. NO PART THEREOF MAY BE REPRODUCED AND USED WITHOUT THE PRIOR WRITTEN CONSENT OF THE OWNER			
LINEAR	ANGULAR	CAD FILE	DRN:	DATE:	
X ±	X° ± 1	55010495000221	T.N	17/04/07	
X.X ±	X.X° ± 30°	MATL:	P.M	DATE:	07/04/09
X.XX ±	X.XX° ± 15°	DO NOT SCALE	FINISH:	APP'D:	P.M DATE: 07/04/09
BREAK ALL SHARP EDGES AND REMOVE ALL BURRS		THIRD ANGLE PROJECTION		SCALE:	3:2
DIMENSIONS IN MILLIMETRES		PART No:		SIZE:	A4

REV	DESCRIPTION	DATE	BY	CHG NO
2	ADD SUFFIX B TO PART No	27/08/15	T.N	9318
1	UPDATE FEMALE SHELL	2/4/2009	A.O	8793
0	FIRST ISSUE	03/09/07	T.N	8686

TITLE:		Amphenol	
XLR FEMALE B TYPE CONNECTOR CUSTOMER DWG		Amphenol Australia Pty.Ltd. 2 Fiveways Blvd. Keysborough, Vic3173	
DRAWING NO.		SHEET	
55010495-000-2		2/2	