

180940 ✓ ACTIVE

FASTIN-FASTON | FASTIN-FASTON 250

TE Internal #: 180940

Crimp Terminal Housings, Tab, Tab Housing, 3 Position, Straight, UL 94V-2, Natural, Polyamide, Mating Alignment, FASTIN-FASTON 250

[View on TE.com >](#)



Terminals & Splices > Terminal Housings, Insulation Sleeves & Blocks > Crimp Terminal Housings



Terminal Type: **Tab**

Connector & Housing Type: **Tab Housing**

Number of Positions: **3**

Terminal Orientation: **Straight**

UL Flammability Rating: **UL 94V-2**

Features

Product Type Features

Sealable	No
Connector & Contact Terminates To	Wire & Cable
Connector & Housing Type	Tab Housing

Configuration Features

Number of Positions	3
---------------------	---

Body Features

Primary Product Color	Natural
-----------------------	---------

Contact Features

Terminal Type	Tab
Terminal Orientation	Straight
Contact Mating Retention	Without

Mechanical Attachment

Mating Alignment	With
------------------	------

Connector Mounting Type

Cable Mount (Free-Hanging)

Housing Features

Housing Material

Polyamide

Centerline (Pitch)

6.35 mm[.25 in]

Dimensions

Product Length

31.7 mm[1.248 in]

Usage Conditions

Operating Temperature Range

-40 – 105 °C[-40 – 221 °F]

Industry Standards

UL Flammability Rating

UL 94V-2

Packaging Features

Packaging Quantity

2500

Packaging Method

Carton

Product Compliance

[For compliance documentation, visit the product page on TE.com>](#)

EU RoHS Directive 2011/65/EU

Compliant

EU ELV Directive 2000/53/EC

Compliant

China RoHS 2 Directive MIIT Order No 32, 2016

No Restricted Materials Above Threshold

EU REACH Regulation (EC) No. 1907/2006

Current ECHA Candidate List: JUNE 2023 (235)
Candidate List Declared Against: JUNE 2023 (235)
Does not contain REACH SVHC

Halogen Content

Low Halogen - Br, Cl, F, I < 900 ppm per homogenous material. Also BFR/CFR/PVC Free

Solder Process Capability

Not applicable for solder process capability

Product Compliance Disclaimer

This information is provided based on reasonable inquiry of our suppliers and represents our current actual knowledge based on the information they provided. This information is subject to change. The part numbers that TE has identified as EU RoHS compliant have a maximum concentration of 0.1% by weight in homogenous materials for lead, hexavalent chromium, mercury, PBB, PBDE, DBP, BBP, DEHP, DIBP, and 0.01% for cadmium, or qualify for an exemption to these limits as defined in the Annexes of Directive 2011/65/EU (RoHS2). Finished electrical and electronic equipment products will be CE marked as required by Directive 2011/65/EU. Components may not be CE marked. Additionally, the part numbers that TE has identified as EU ELV compliant have a maximum concentration of 0.1% by weight in homogenous materials for lead, hexavalent chromium, and mercury, and 0.01% for cadmium, or qualify for an exemption to these limits as defined in the Annexes of Directive 2000/53/EC (ELV). Regarding the REACH Regulation, the information TE provides on SVHC in articles for this part number is based on the latest European Chemicals Agency (ECHA) 'Guidance on

requirements for substances in articles' posted at this URL: <https://echa.europa.eu/guidance-documents/guidance-on-reach>

Compatible Parts

TE Part # 4-1377175-6
SMP 0-0180940-0

TE Part # 170340-1
FF 250 TAB 20-14AWG BR WITHOUT LATCH

TE Part # 170341-3
FF 250 TAB 14-12AWG PTBR WITHOUT LATCH

TE Part # 170349-2
FF 250 TAB 22-20AWG TPBR WITHOUT LATCH

TE Part # 170340-3
FF 250 TAB 20-14AWG PTBR WITHOUT LATCH

TE Part # 170341-1
FF 250 TAB 14-12AWG BR WITHOUT LATCH

TE Part # 170349-1
FF 250 TAB 22-20AWG BR WITHOUT LATCH

TE Part # 2348943-1
FF 187&250 TAB HSG 9P NYLON NAT

Also in the Series | FASTIN-FASTON 250

Crimp Terminal Housings(211)

Insertion & Extraction Tools(2)

PCB Terminals(2)

Quick Disconnects(254)

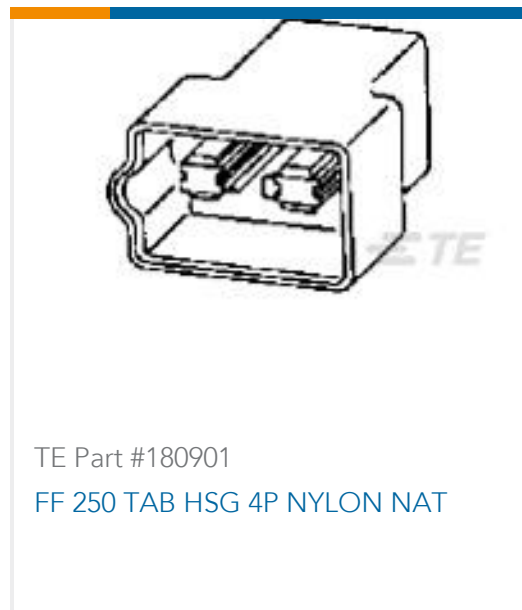
Customers Also Bought

TE Part #170054-1
FF 250 REC 20-14AWG BR LP

TE Part #163008
FF 250 TAB HSG 8P NYLON CLEAR

TE Part #180904
FF 250 REC HSG 6P NYLON NAT

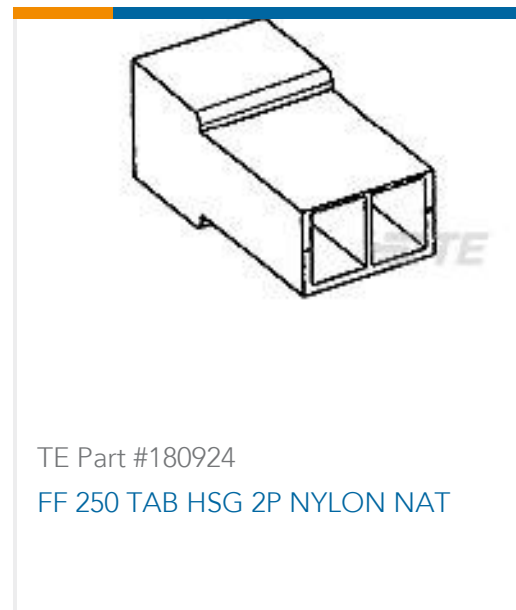
TE Part #163007
FF 250 REC HSG 8P NYLON CLEAR



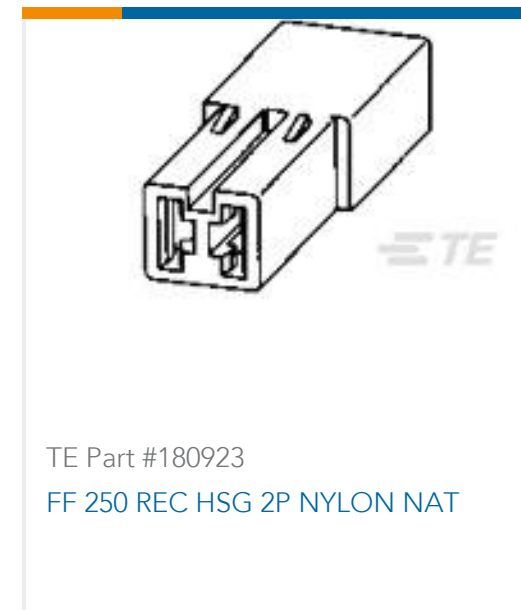
TE Part #180901
FF 250 TAB HSG 4P NYLON NAT



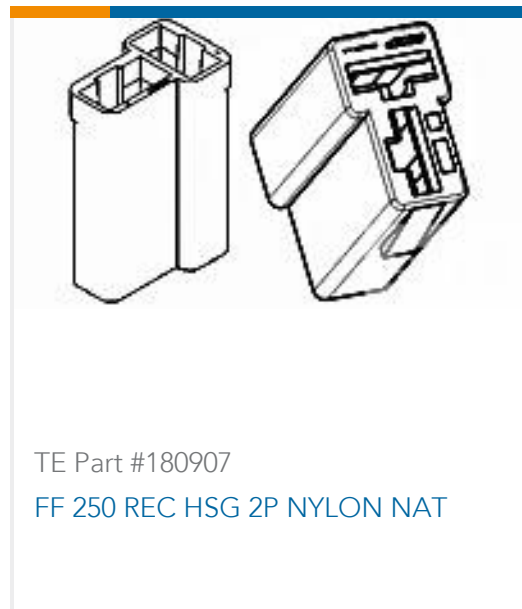
TE Part #180908
FF 250 TAB HSG 2P NYLON NAT



TE Part #180924
FF 250 TAB HSG 2P NYLON NAT



TE Part #180923
FF 250 REC HSG 2P NYLON NAT



TE Part #180907
FF 250 REC HSG 2P NYLON NAT



TE Part #180352-2
FF 250 TAB 4-6MM2 PTBR

Documents

Product Drawings

[FF 250 TAB HSG 3P NYLON NAT](#)

English

CAD Files

[3D PDF](#)

3D

Customer View Model

[ENG_CVM_CVM_180940_T_c-180940-t.2d_dxf.zip](#)

English

Customer View Model

[ENG_CVM_CVM_180940_T_c-180940-t.3d_igs.zip](#)

English

Customer View Model

[ENG_CVM_CVM_180940_T_c-180940-t.3d_stp.zip](#)

English

By downloading the CAD file I accept and agree to the [Terms and Conditions](#) of use.

Datasheets & Catalog Pages

[FASTIN_FASTON_Product_Line](#)

English

[White Paper: Nylon Discoloration](#)

English

Product Specifications

[Application Specification](#)

English



Product Environmental Compliance

TE Material Declaration

English

Agency Approvals

UL Report

English