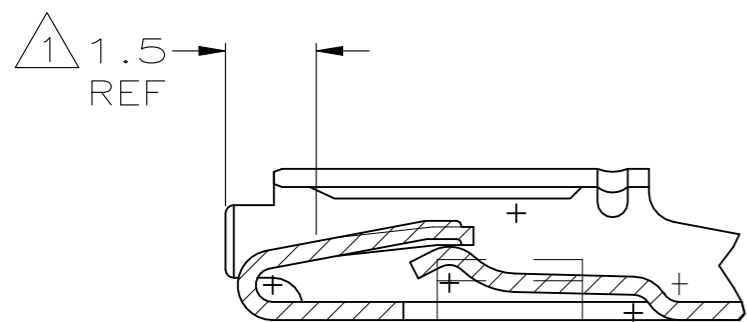
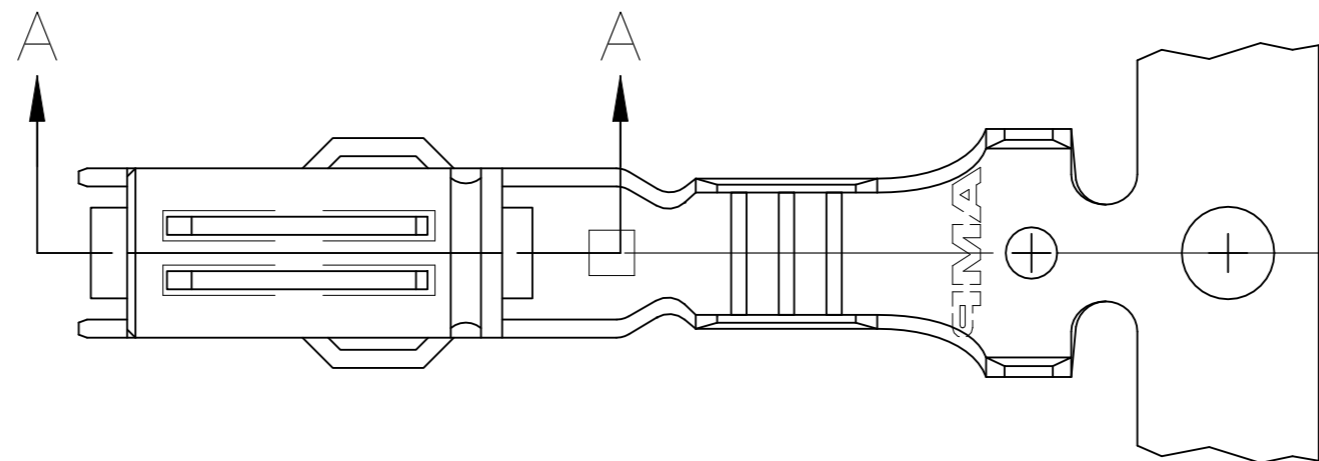
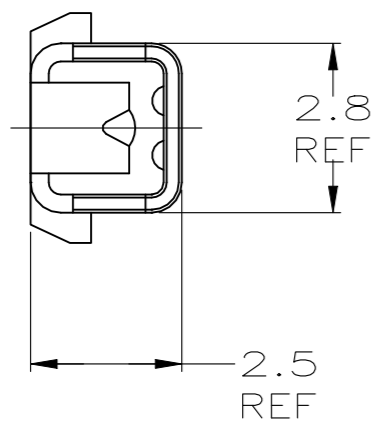
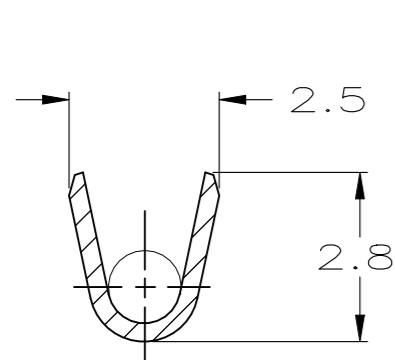
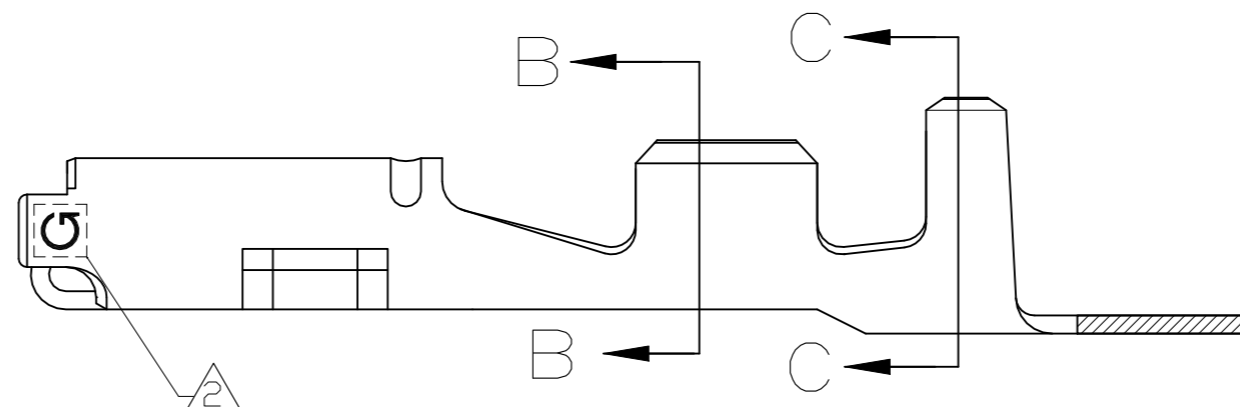


P	LTR	DESCRIPTION	DATE	DWN	APVD
	B	REVISED PER ECO-21-002133	15APR2021	SM	AH

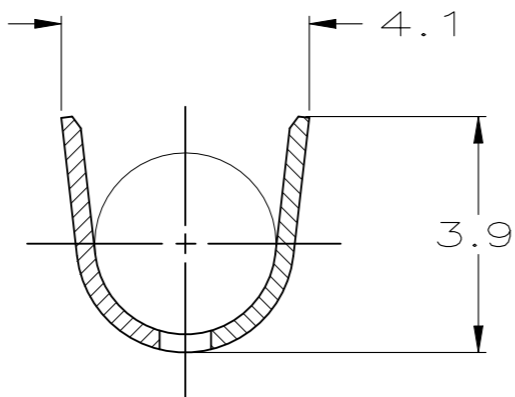
- ① NYE FLUOROETHER GREASE
- ② FOR GOLD PLATED PART ONLY - AT LEAST ONE "G" INDICATOR MUST BE VISIBLE IN THIS LOCATION ON EITHER SIDE INDICATING GOLD PLATED CONTACT



SECTION A-A  
SCALE 8:1



SECTION B-B



SECTION C-C

TIN	1.2 - 2.1 $\phi$	AVS 0.3 - 1.0mm <sup>2</sup> (#22 - #18 AWG)	184373-2
SELECT GOLD	1.2 - 2.1 $\phi$	AVS 0.3 - 1.0mm <sup>2</sup> (#22 - #18 AWG)	184373-1
FINISH	INSULATION DIAMETER	WIRE RANGE	PART NUMBER

THIS DRAWING IS A CONTROLLED DOCUMENT.		DWN P. COLLINS 8-14-00	<b>STE</b> TE Connectivity	
		CHK M. HUDDLESTON 8-14-00		
		APVD M. HUDDLESTON 8-14-00	NAME CONTACT, RECEPTACLE, .070	
DIMENSIONS: mm		PRODUCT SPEC -		APPLICATION SPEC -
TOLERANCES UNLESS OTHERWISE SPECIFIED:		SIZE A3		CAGE CODE 00779
0 PLC ± -		DRAWING NO C-184373		RESTRICTED TO -
1 PLC ± 0.3		SCALE 8:1		SHEET 1 OF 1
2 PLC ± -		CUSTOMER DRAWING		REV B
3 PLC ± -				
4 PLC ± -				
ANGLES ± 2'				
MATERIAL PH BRZ (0.3 THK)				
FINISH -				