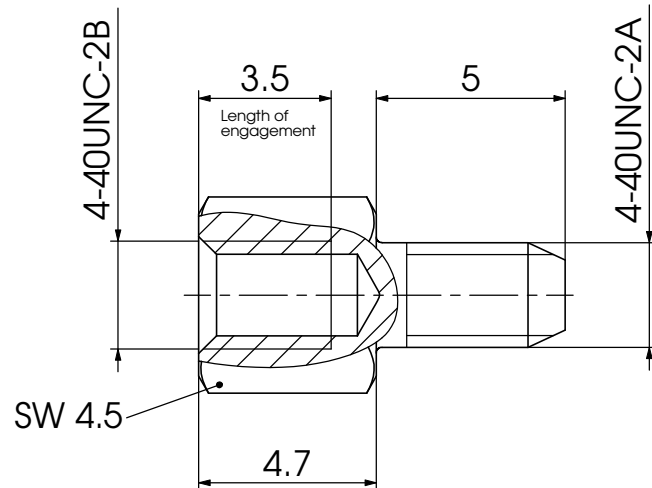


COMMENT:
 ALL RIGHTS ARE RESERVED BY US FOR THIS DRAWING. WITHOUT OUR PRIOR CONSENT,
 IT MAY NEITHER BE DUBLICATED NOR MADE AVAILABLE TO A THIRD PARTY,
 AND IT ALSO MAY NOT BE IMPROPERLY USED BY TE RECEIVER, OR A THIRD PARTY.

1	2	3	4	5	6			
	Material	Surface	Screw (quantity)	Washer (quantity)	Spring washer (quantity)	Nut (quantity)	Package	Notice
F-GSCH1/5-K835	Brass	tin plated	2	2	-	-	in pairs	Packed together in a bag
F-GSCH1/5-K835S	Brass	tin plated	max. 5000	max. 5000	-	-	bulk packed	Individually packed in bags
F-GSCH1/5-K1561	Brass	tin plated / blank	2 Brass	-	2 stainless steel	2 stainless steel	in pairs	Packed together in a bag
F-GSCH1/5-4494 ②	Brass	tin plated	2	-	-	-	in pairs	Packed together in a bag



RoHS compliant

				Measurement without tolerance acc. to ISO 2768-m	SCALE 5:1	TITLE Female Screw Lock F-GSCH1/5	
			DRAWN	Denzinger 21-10-2002	DWG.NO. F62M063_D		
			CHECKED	sschref 13-09-2010	REV. 2		
2	13-09-2010	22692	 fctgroup.com		REPLACEMENT FOR:		
1	19-12-1994	2 0133			PAGES 1		
REV.	DATE	CH.-NO.	ORIGINAL: DIN A4-DRAWING AS A FILE				