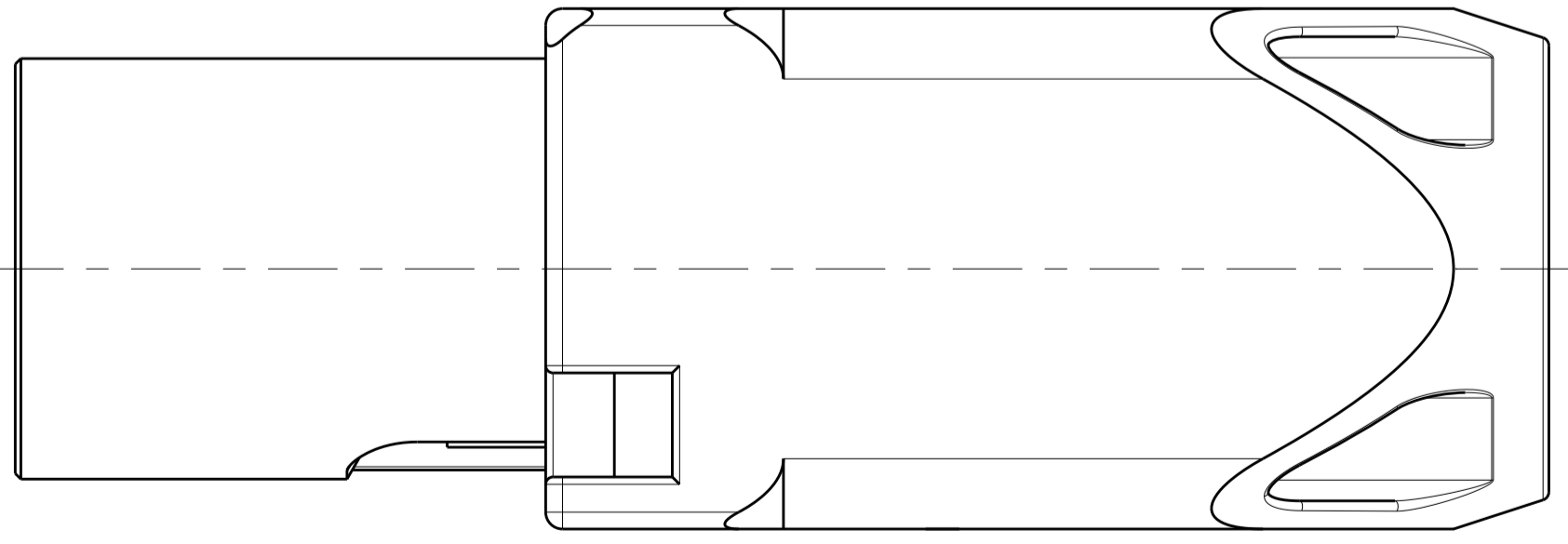
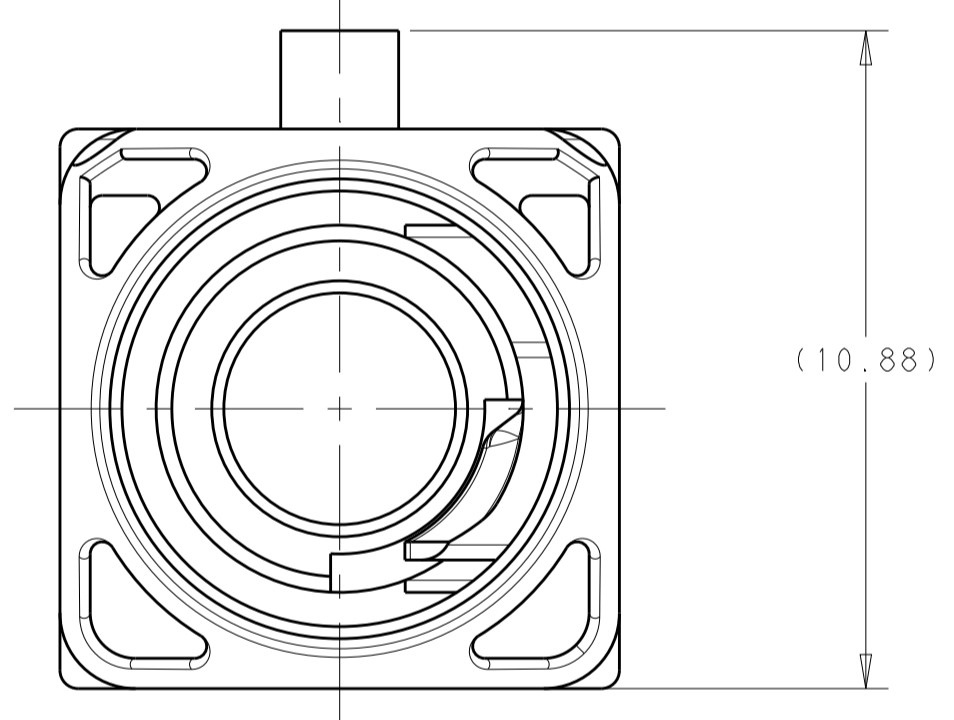
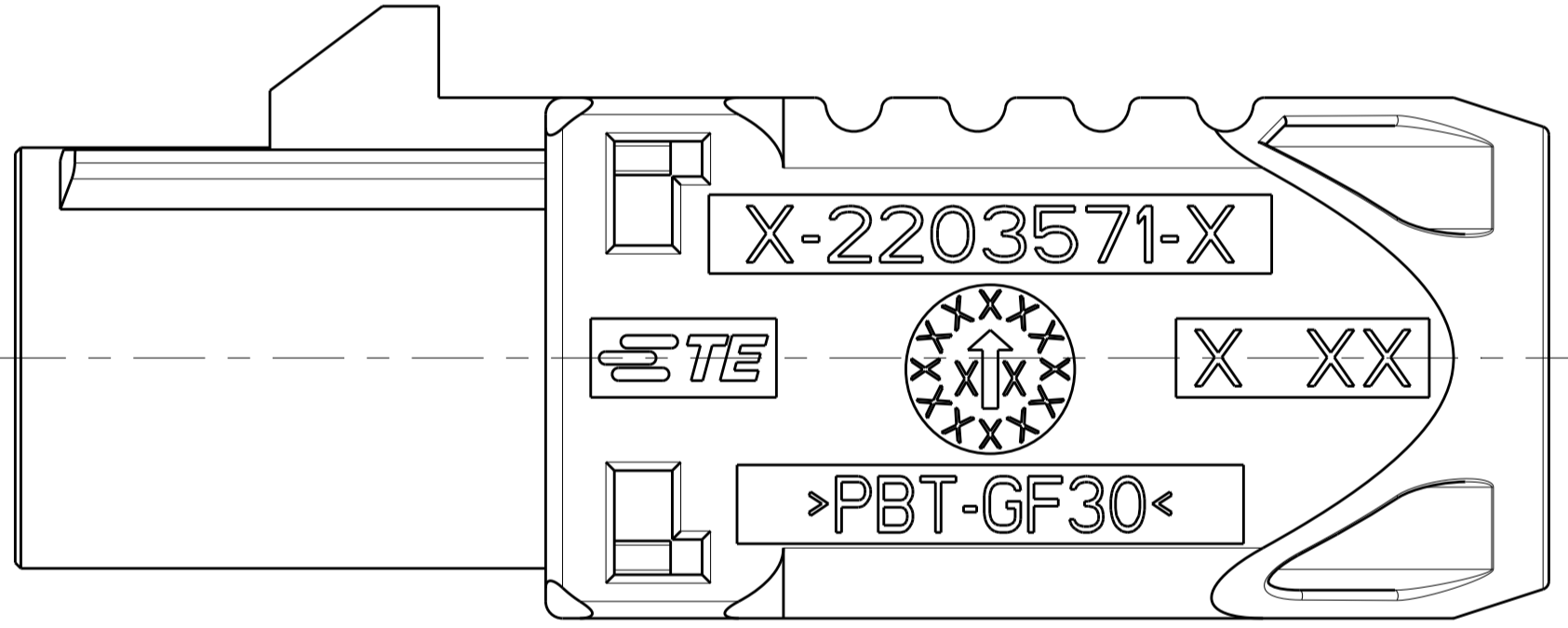
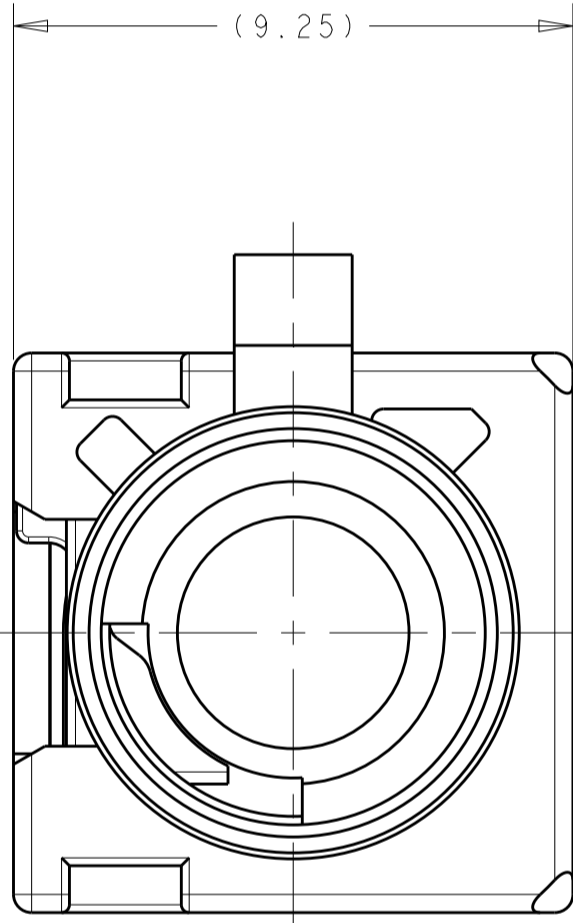
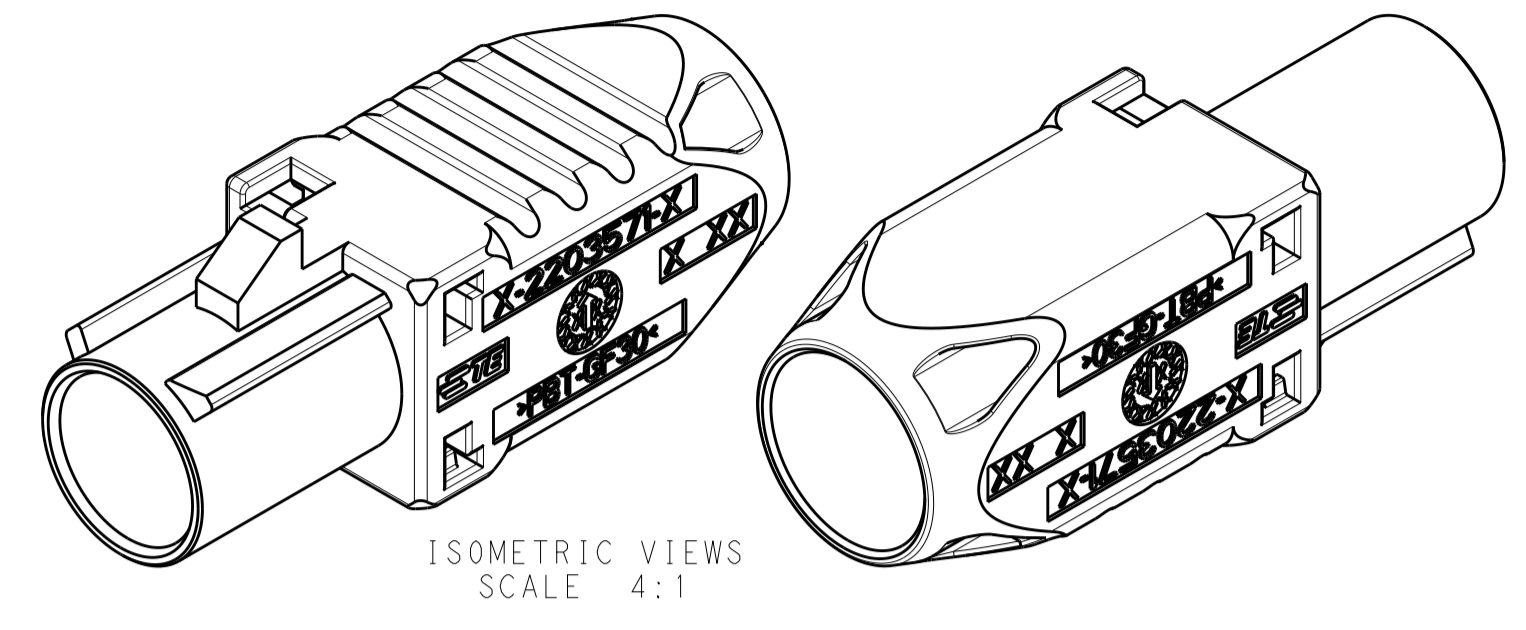
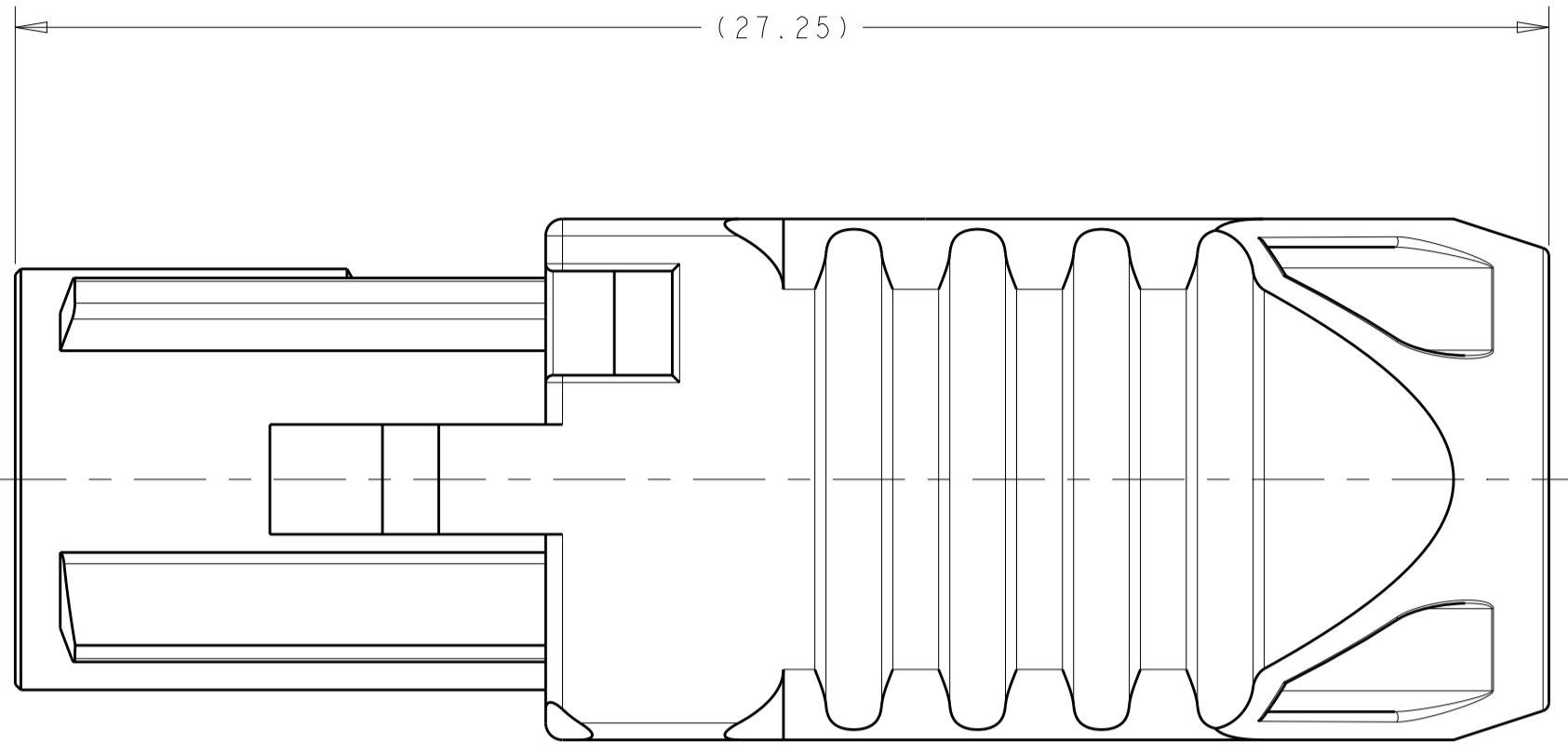


REVISIONS				
P.	LTN	DESCRIPTION	DATE	DWN APVD
1		INITIAL DRAWING.	07APR2017	JAB ERL



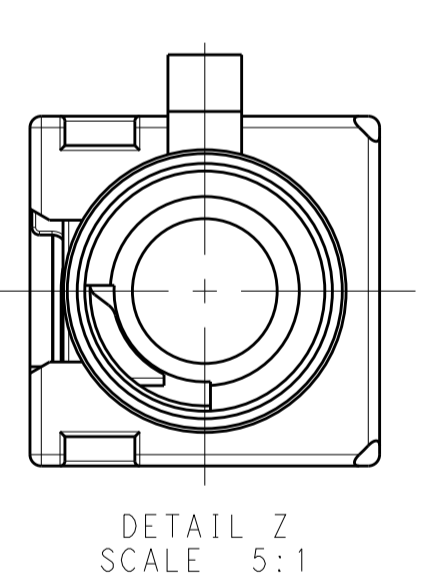
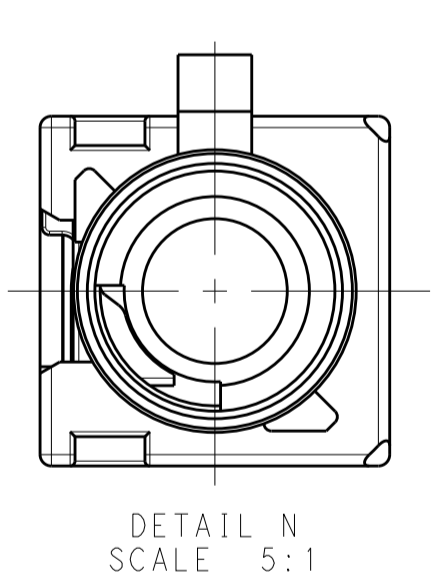
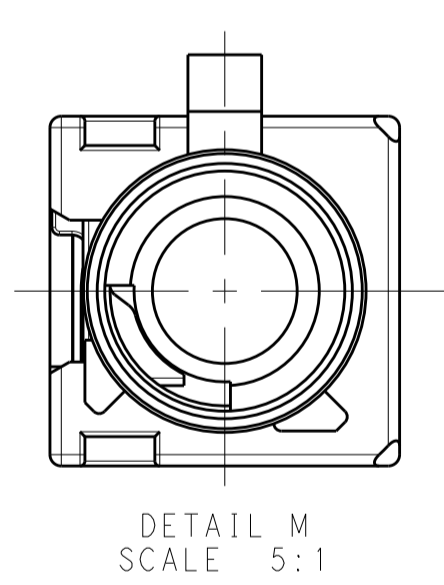
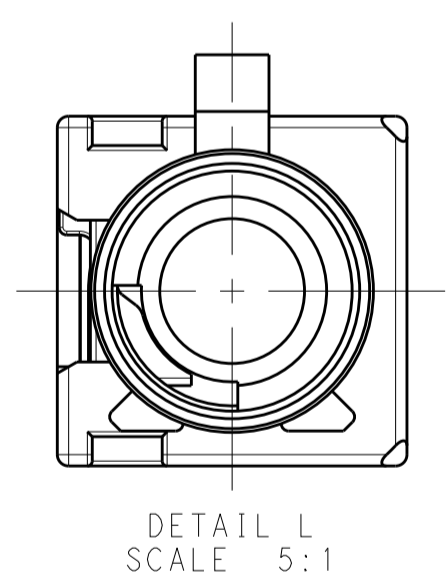
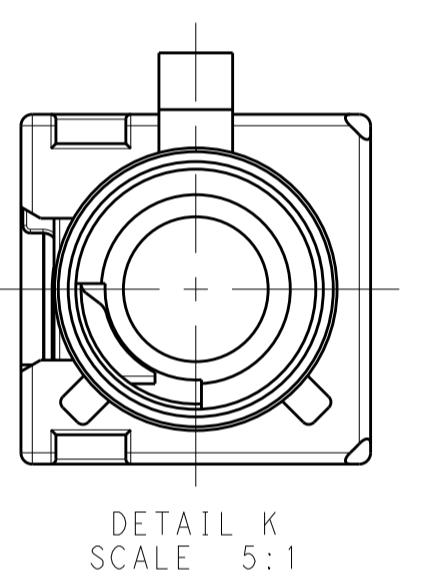
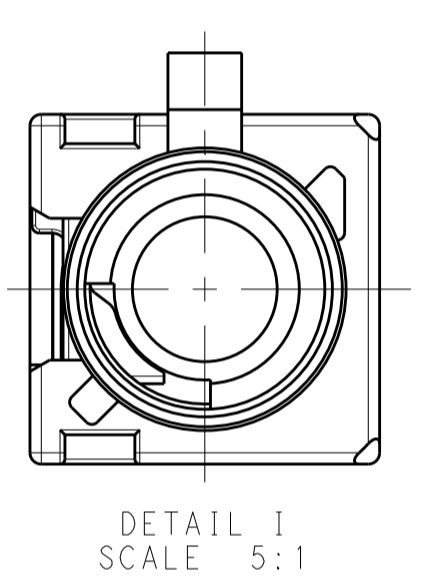
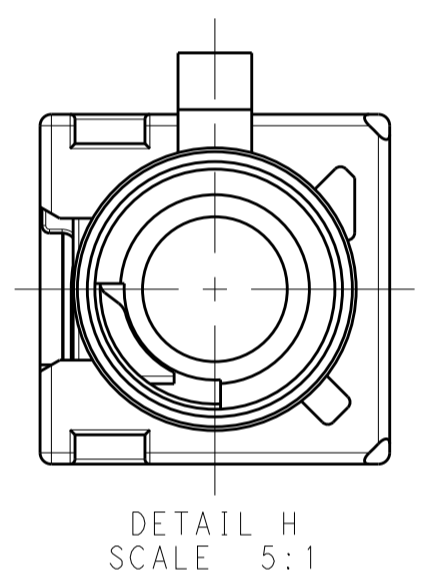
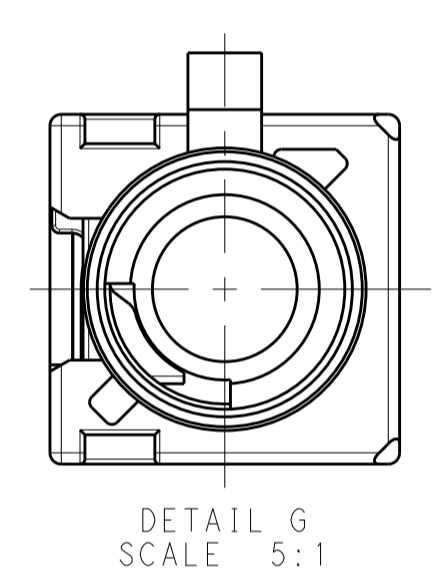
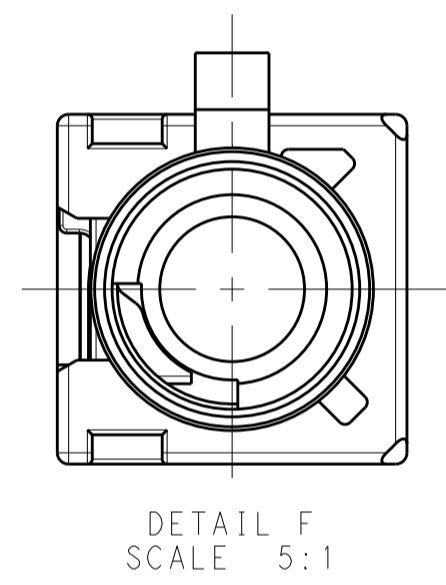
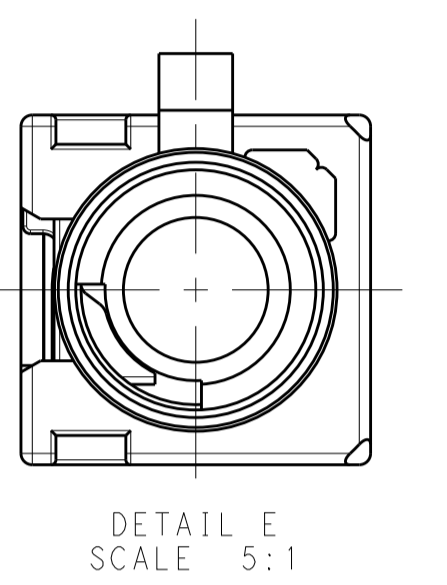
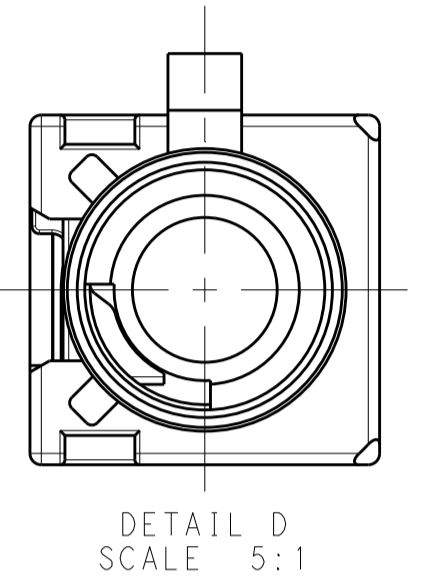
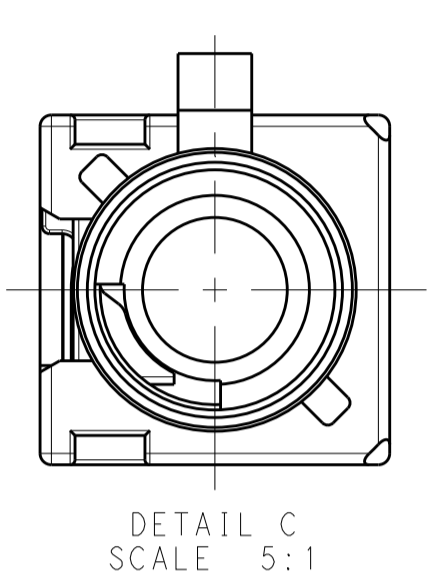
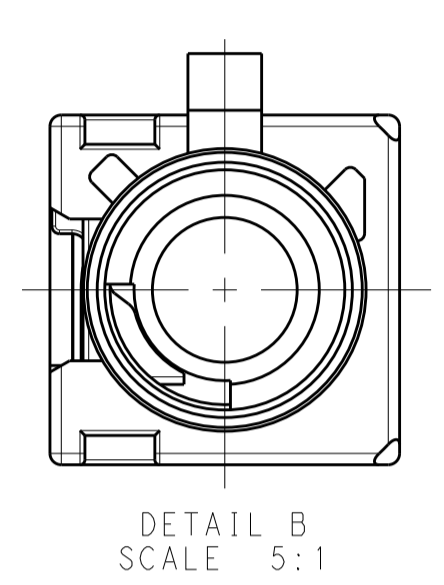
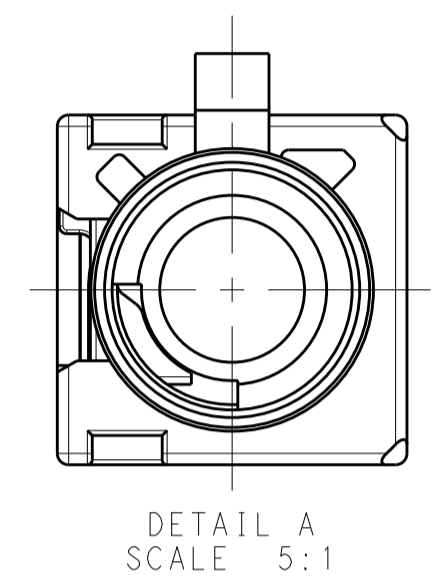
Z	PER DETAIL Z	WATER BLUE	2-2203571-0
N	PER DETAIL N	PASTEL GREEN	1-2203571-3
M	PER DETAIL M	PASTEL ORANGE	1-2203571-2
L	PER DETAIL L	CARMINE RED	1-2203571-1
K	PER DETAIL K	CURRY	1-2203571-0
I	PER DETAIL I	BEIGE	2203571-9
H	PER DETAIL H	HEATHER VIOLET	2203571-8
G	PER DETAIL G	BLUE GREY	2203571-7
F	PER DETAIL F	NUT BROWN	2203571-6
E	PER DETAIL E	LEAF GREEN	2203571-5
D	PER DETAIL D	CLARET VIOLET	2203571-4
C	PER DETAIL C	SIGNAL BLUE	2203571-3
B	PER DETAIL B	CREAM	2203571-2
A	PER DETAIL A	JET BLACK	2203571-1
KEY CODE	KEYING	CODING COLOR	PART NUMBER

- 1. 2203571-1 AS SHOWN.
- 2 MATERIAL, POLYESTER PBT, COLOR SEE TABLE.
- 3 MALE INTERFACE PER ISO-20860-1, ISO-20860-2, SAE/USCAR-17, SAE/USCAR-18.

THIS DRAWING IS A CONTROLLED DOCUMENT.		DWN J. A. BAKER 07APR2017	TE Connectivity	
DIMENSIONS:		CHK E. R. LOVE 28JUL2017	NAME MALE HOUSING, 1 POSITION, FAKRA	
TOLERANCES UNLESS OTHERWISE SPECIFIED:		APVD E. R. LOVE 28JUL2017	PRODUCT SPEC -	
mm		108-32137	APPLICATION SPEC -	
0 PLC ±		114-32145	SIZE A1	
1 PLC ±		WEIGHT	CAGE CODE -	
2 PLC ±		FINISH	DRAWING NO C=2203571	
3 PLC ±			RESTRICTED TO	
4 PLC ±			SCALE 8:1	
ANGLES ±			SHEET 1 OF 2	
FINISH			REV A	
MATERIAL		CUSTOMER DRAWING		

THIS DRAWING IS UNPUBLISHED. RELEASED FOR PUBLICATION. COPYRIGHT copyright.dbr- ALL RIGHTS RESERVED.

REVISIONS				
P.	LTN	DESCRIPTION	DATE	APVD
-		SEE SHEET 1	-	-



THIS DRAWING IS A CONTROLLED DOCUMENT.		DWN J.A. BAKER 07APR2017	
DIMENSIONS:		CHK E.R. LOVE 28JUL2017	
mm	TOLERANCES UNLESS OTHERWISE SPECIFIED:	APVD E.R. LOVE 28JUL2017	NAME MALE HOUSING, 1 POSITION, FAKRA
	0 PLC ±	PRODUCT SPEC	SIZE A1
	1 PLC ±	108-32137	CAGE CODE -
	2 PLC ±	APPLICATION SPEC	DRAWING NO C=2203571
	3 PLC ±	114-32145	RESTRICTED TO
	4 PLC ±	WEIGHT	SCALE 8:1
	ANGLES ±	CUSTOMER DRAWING	SHEET 2 OF 2
MATERIAL	FINISH		REV A