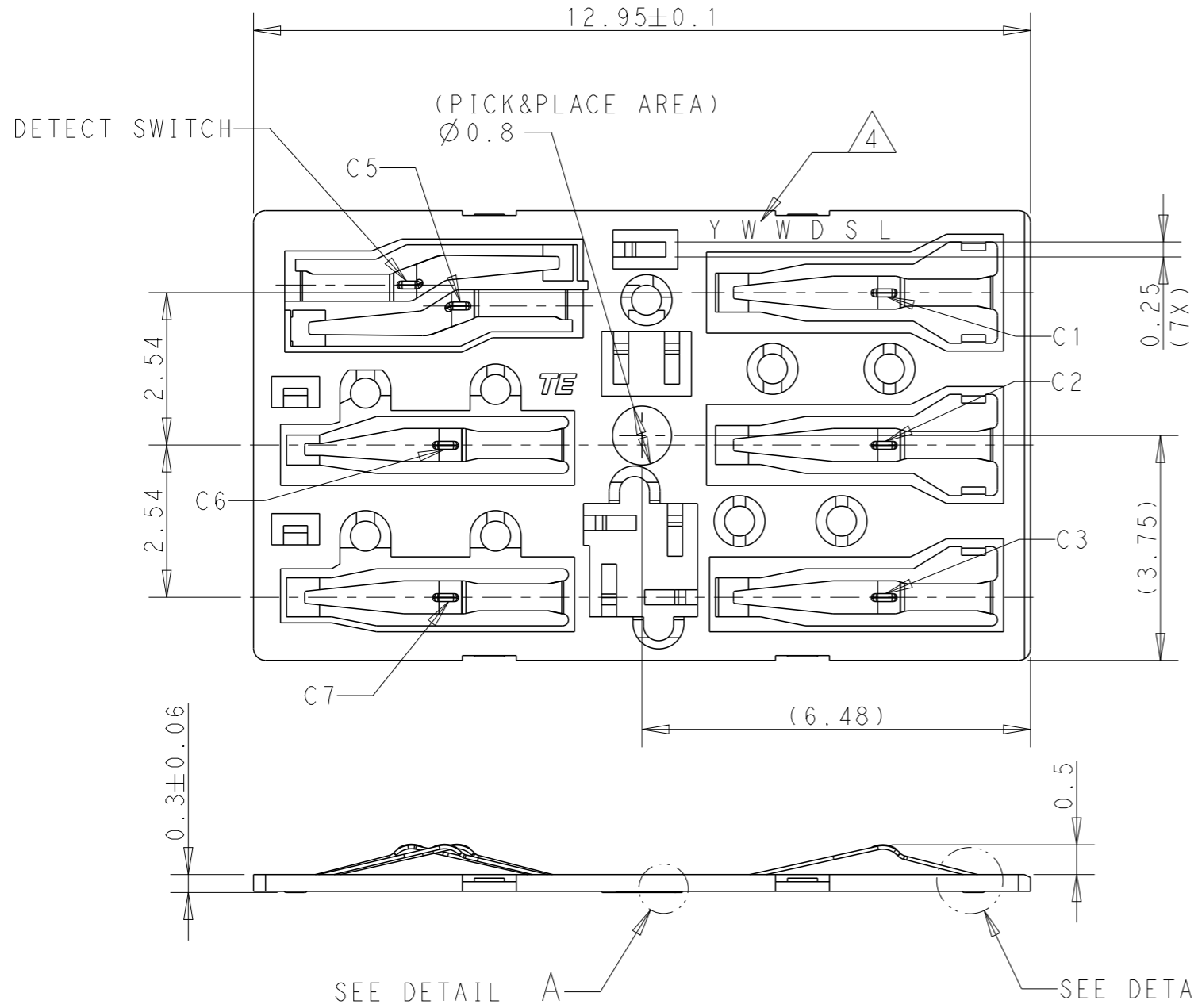
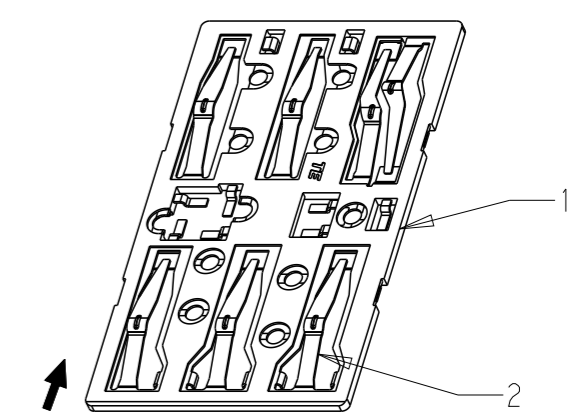


THIS DRAWING IS UNPUBLISHED. RELEASED FOR PUBLICATION 20  
 © COPYRIGHT 20 BY - ALL RIGHTS RESERVED.

REVISIONS					
P	LTR	DESCRIPTION	DATE	DWN	APVD
	B	REVISED PER ECR-15-014913	12OCT2015	R.Z.	C.W.
	B1	REVISED PER ECR-16-004567	16JUN2016	R.Z.	C.W.
	B2	REVISED PER ECR-17-011288	03AUG2017	R.Z.	S.L.



- NOTES:
- 1. HOUSING MATERIAL: THERMO PLASTIC RESIN.
  - 2. CONTACT MATERIAL: COPPER ALLOY.
  - 3. FINISH :  
 50u" MIN. NICKEL UNDERPLATING ALL OVER,  
 GOLD PLATING 2u" MIN. ON CONTACT AREA  
 12u" MIN. PD/Ni ON CONTACT AREA  
 GOLD PLATING 1u" MIN. ON SOLDER AREA
  - 4. COPLANARITY: 0.08MAX. (BEFORE IR)
  - 5. DATE CODE:  
 YWWSL (YEAR, WEEK, DAY, SHIFT, LINE)
  - 6. ASSISTANT PAD FOR CONTACT



CARD INSERTION DIRECTION

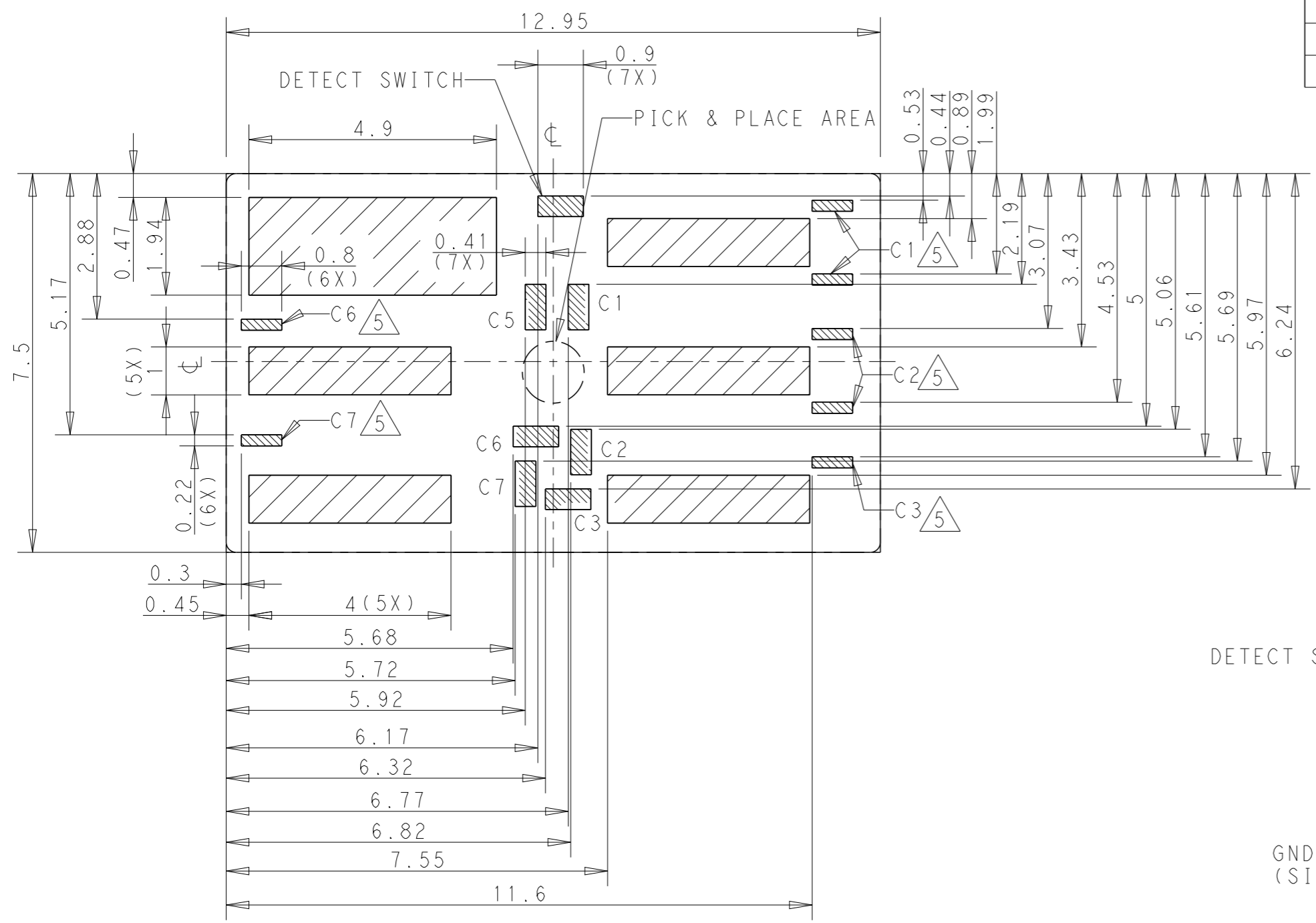


THIS DRAWING IS A CONTROLLED DOCUMENT.

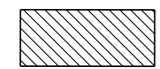
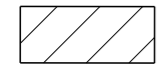
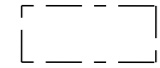
DIMENSIONS:	TOLERANCES UNLESS OTHERWISE SPECIFIED:
mm	
0 PLC	±-
1 PLC	±0.1
2 PLC	±0.05
3 PLC	±-
4 PLC	±-
ANGLES	±3°
MATERIAL	FINISH
-	-

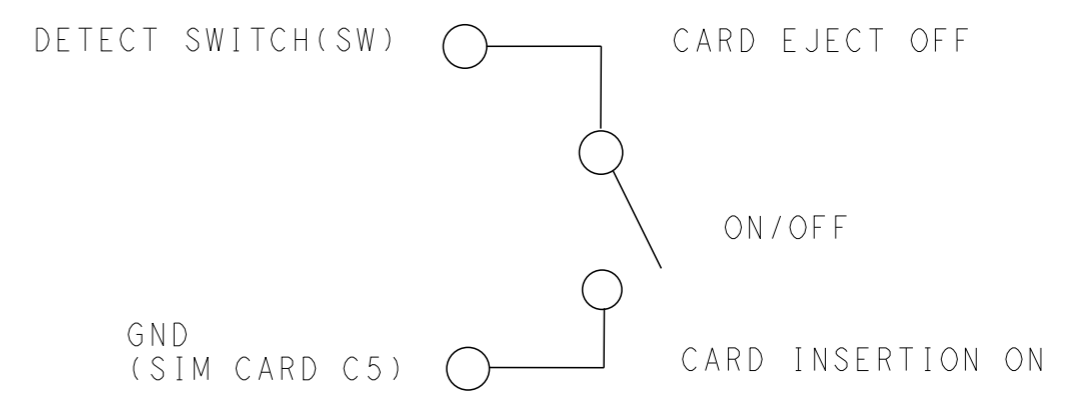
2286237-1	2	CONTACT	2
	1	HOUSING	1
P/N	ITEM	COMPONENT	MATERIAL/FINISH
 TE Connectivity			
NAME ANTI-BUCKLING BLOCK SIM CONNECTOR			
PRODUCT SPEC	108-115089	SIZE	CAGE CODE
APPLICATION SPEC	-	DRAWING NO	RESTRICTED TO
WEIGHT	0.048g	A300779	C-2286237
CUSTOMER DRAWING	SCALE	SHEET 1 OF 4	REV B2

REVISIONS					
P	LTR	DESCRIPTION	DATE	DWN	APVD
	-	SEE SHEET 1	-	-	-




REFERENCE P.C. BOARD LAYOUT  
 (P.C.B. TOLERANCE: ±0.05)

-  SOLDER AREA
-  NO WIRE AREA
-  CONNECTOR BOUNDARY

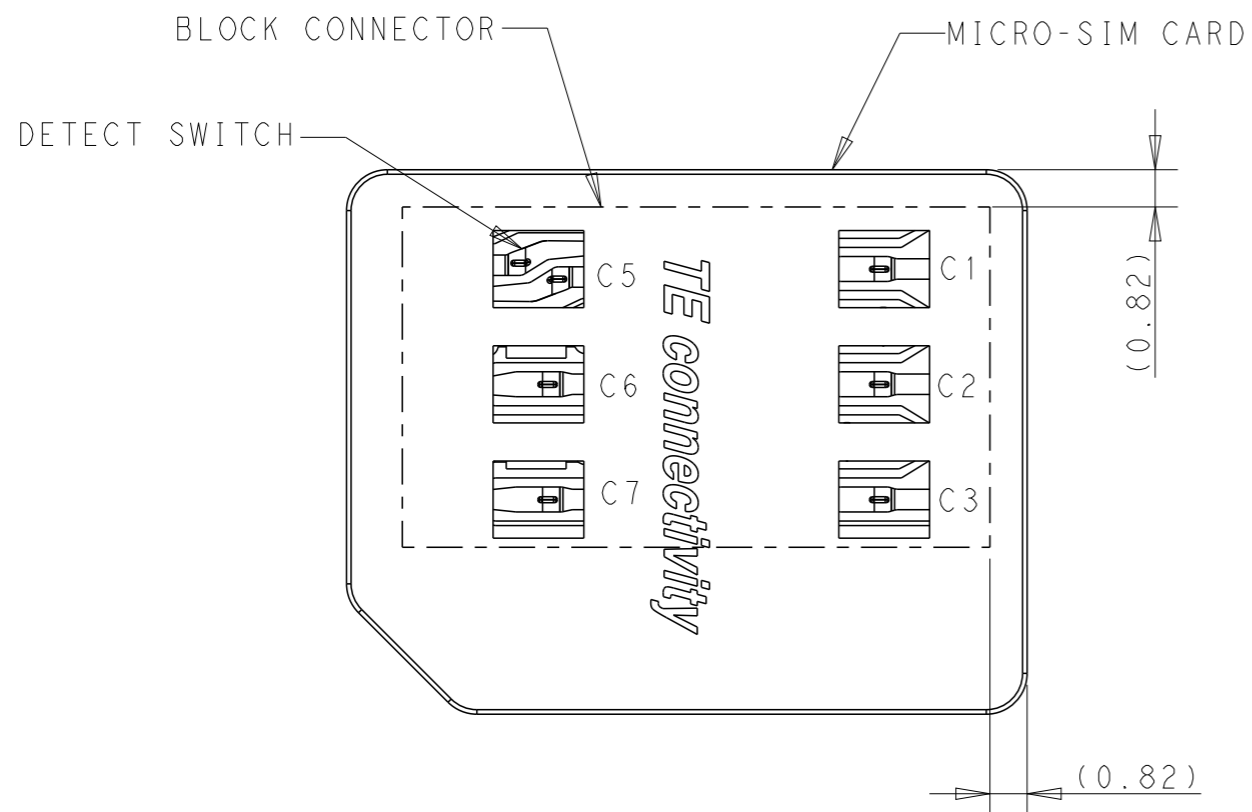


CIRCUIT DRAWING OF SWITCH

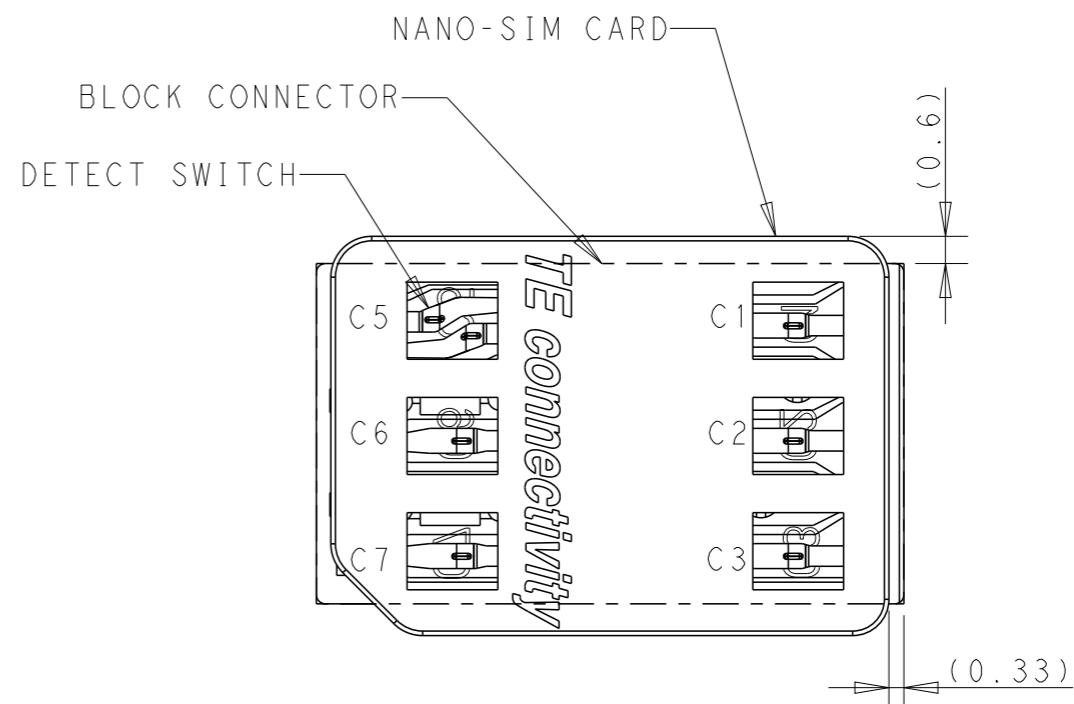
THIS DRAWING IS A CONTROLLED DOCUMENT.		DWN E.F.	11-Mar-15	 TE Connectivity	
DIMENSIONS: mm		CHK S.L.	11-Mar-15		
TOLERANCES UNLESS OTHERWISE SPECIFIED: 0 PLC ±- 1 PLC ±0.3 2 PLC ±0.1 3 PLC ±- 4 PLC ±- ANGLES ±3°		APVD C.W.	11-Mar-15		
MATERIAL		PRODUCT SPEC 108-115089		NAME ANTI-BUCKLING BLOCK SIM CONNECTOR	
		APPLICATION SPEC -		SIZE A3	CAGE CODE 00779
		WEIGHT 0.048g		DRAWING NO C-2286237	
		CUSTOMER DRAWING		SCALE -	SHEET 2 OF 4
				RESTRICTED TO -	
				REV B2	

REVISIONS


P	LTR	DESCRIPTION	DATE	DWN	APVD
-	-	SEE SHEET 1	-	-	-



REFERENCE INSERTION SITUATION  
MICRO-SIM CARD



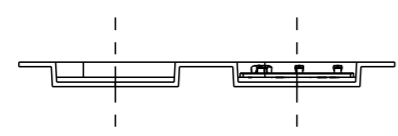
REFERENCE INSERTION SITUATION  
NANO-SIM CARD

THIS DRAWING IS A CONTROLLED DOCUMENT.		DWN E.F.	11-Mar-15	 <b>TE Connectivity</b>	
DIMENSIONS: mm		CHK S.L.	11-Mar-15		
TOLERANCES UNLESS OTHERWISE SPECIFIED:		APVD C.W.	11-Mar-15	NAME ANTI-BUCKLING BLOCK SIM CONNECTOR	
<ul style="list-style-type: none"> <li>0 PLC ±-</li> <li>1 PLC ±0.3</li> <li>2 PLC ±0.1</li> <li>3 PLC ±-</li> <li>4 PLC ±-</li> <li>ANGLES ±3°</li> </ul>		PRODUCT SPEC 108-115089		SIZE A3	
MATERIAL -		FINISH -		APPLICATION SPEC -	
		WEIGHT 0.048g		CAGE CODE 300779	
		CUSTOMER DRAWING		DRAWING NO C-2286237	
		SCALE -		RESTRICTED TO -	
		SHEET 3 OF 4		REV B2	

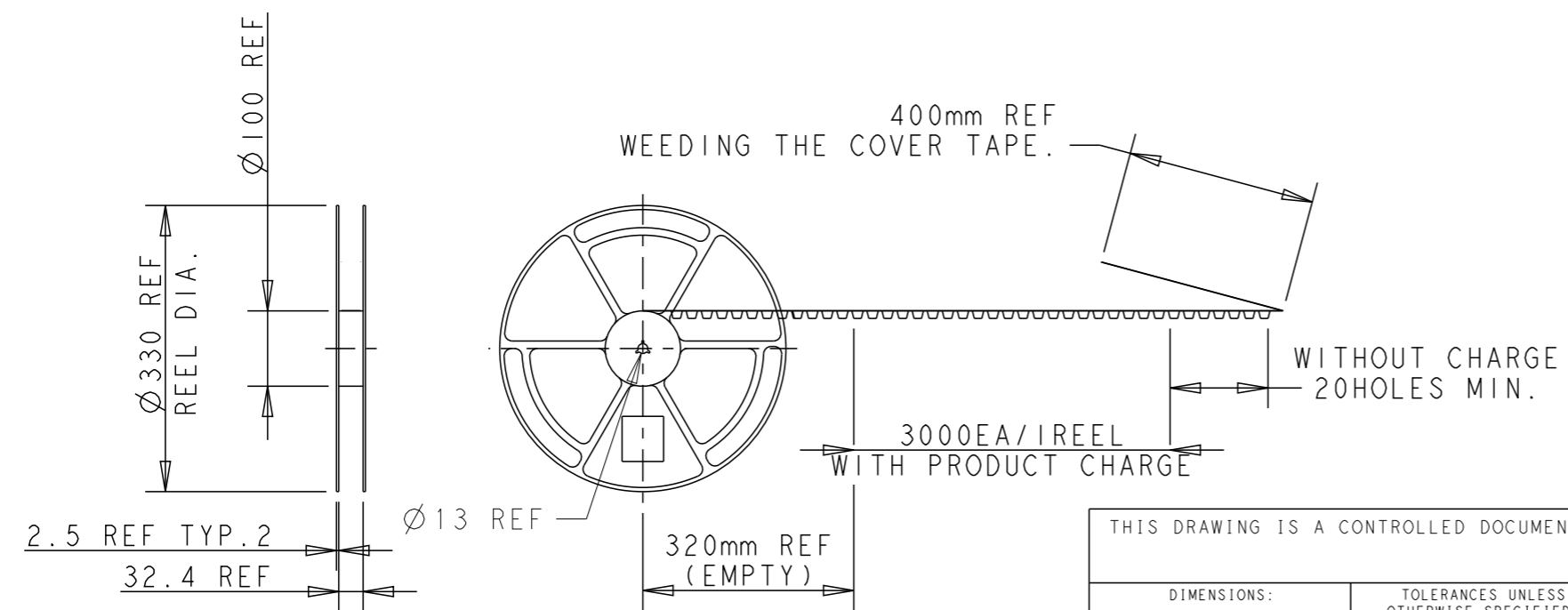
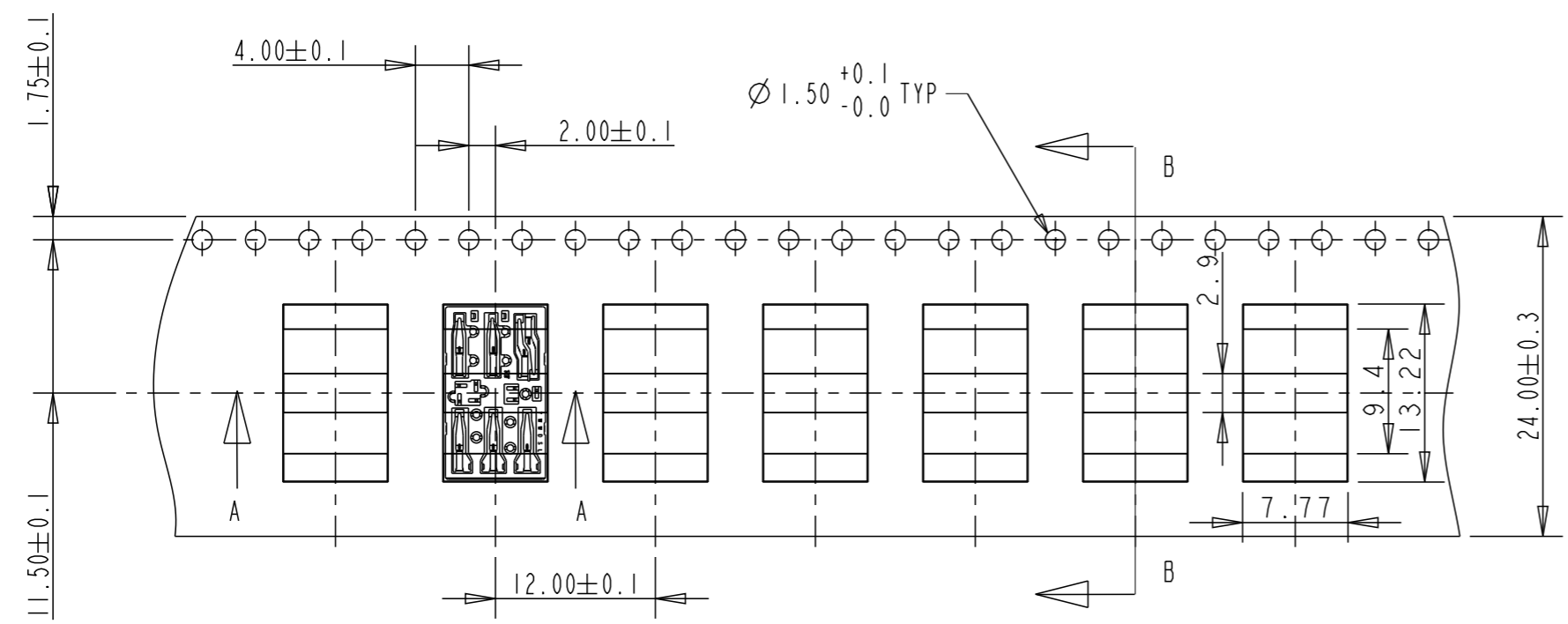
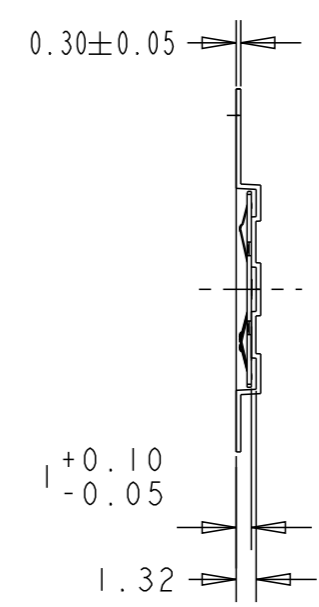
THIS DRAWING IS UNPUBLISHED. RELEASED FOR PUBLICATION 20  
 © COPYRIGHT 20 BY - ALL RIGHTS RESERVED.

REVISIONS					
P	LTR	DESCRIPTION	DATE	DWN	APVD
-	-	SEE SHEET 1	-	-	-

SECTION A-A



SECTION B-B



THIS DRAWING IS A CONTROLLED DOCUMENT.		DWN E.F. 11-Mar-15	TE Connectivity	
DIMENSIONS: mm		CHK S.L. 11-Mar-15		
TOLERANCES UNLESS OTHERWISE SPECIFIED:		APVD C.W. 11-Mar-15	NAME ANTI-BUCKLING BLOCK SIM CONNECTOR	
0 PLC ±-		PRODUCT SPEC 108-115089	SIZE CAGE CODE DRAWING NO RESTRICTED TO	
1 PLC ±0.3		APPLICATION SPEC -	A300779 C-2286237	
2 PLC ±0.1		WEIGHT 0.048g	SCALE 4:1 SHEET 4 OF 4 REV B2	
3 PLC ±-		CUSTOMER DRAWING		
4 PLC ±-				
ANGLES ±3°				
FINISH -				