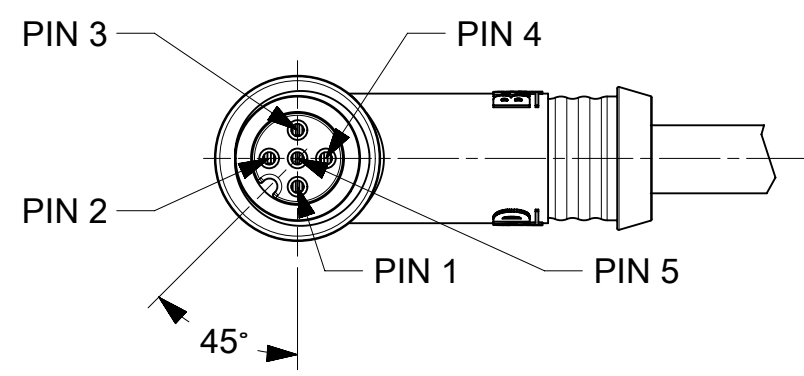
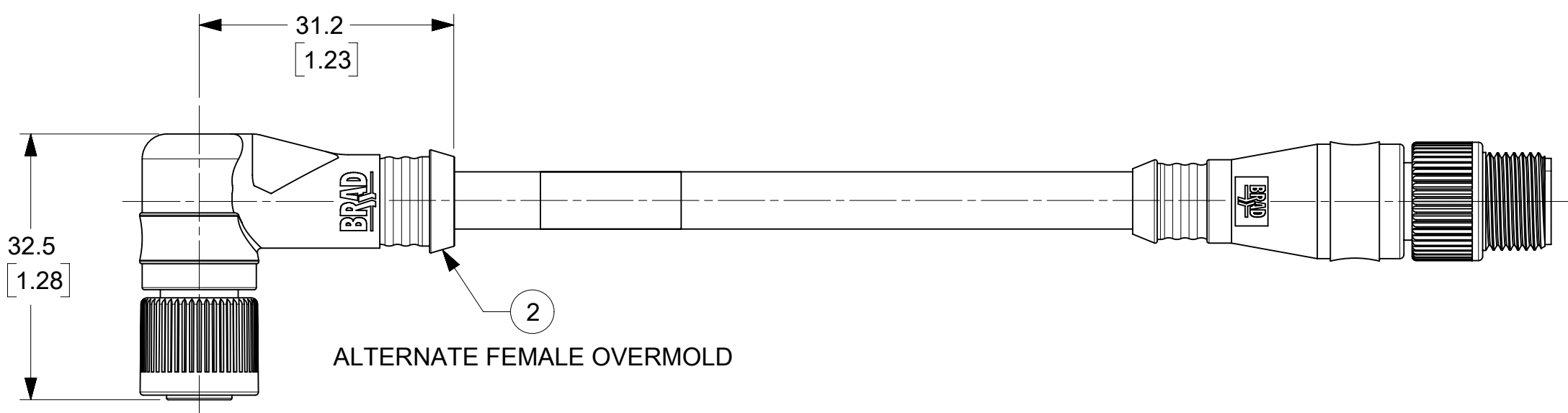


DND32A-M006

LENGTH
M001 = .1 METERS
M010 = 1.0 METERS
M100 = 10 METERS

CABLE LENGTH TOLERANCES	
<.3M [1FT]:	+19mm-0 [+.75in-0]
.3 - .9M [1 - 3FT]:	+44.5mm-0 [+1.75in-0]
.9 - 1.8M [3 - 6FT]:	+55.6mm-0 [+2.19in-0]
1.8 - 3.7M [6 - 12FT]:	+88.9mm-0 [+3.50in-0]
3.7 - 7.3M [12 - 24FT]:	+165.1mm-0 [+6.50in-0]
7.3-14.6M [24 - 48FT]:	+317.5mm-0 [+12.50in-0]
14.6 - 30.5M [48-100FT]:	+622.3mm-0 [+24.50in-0]
OVER 30M [100FT]	+2% OF FINISHED LENGTH

PART NUMBER LEGEND



FINISHED LENGTH		
MOLEX PN	ENGINEERING NO	LENGTH M [FT]
1300280003	DND32A-M006	0.6 [1.97]
1300280080	DND32A-M002	0.2 [.66]
1300280081	DND32A-M003	0.3 [.98]
1300280082	DND32A-M004	0.4 [1.31]
1300280083	DND32A-M005	0.5 [1.64]
1300280084	DND32A-M007	0.7 [2.30]
1300280085	DND32A-M010	1.0 [3.28]
1300280086	DND32A-M015	1.5 [4.92]
1300280088	DND32A-M025	2.5 [8.20]
1300280089	DND32A-M030	3.0 [9.84]
1300280091	DND32A-M050	5.0 [16.4]

ITEM	DESCRIPTION	MATERIAL	FINISH/COLOR
10	WRAP LABEL	VINYL	BLACK/YELLOW
9	O-RING	FPM (VITON)	RED
8	COUPLING NUT FEMALE M12	E-COAT	BLACK
7	CONTACT FEMALE	Cu ALLOY	GOLD PLATED
6	INSERT M12 5P FEMALE	NYLON	BLACK
5	COUPLING NUT MALE M12	E-COAT	BLACK
4	CONTACT PIN	Cu ALLOY	GOLD PLATED
3	INSERT M12 5P MALE AC KEY	NYLON	BLACK
2	OVERMOLDS	TPC	GRAY
1	DEV-NET DROP CABLE 4x0.34mm ² (22AWG)	PVC JACKET	GRAY

- NOTES:**
1. MATERIAL: AS NOTED
 2. FINISH: AS NOTED
 3. ELECTRICAL:
VOLTAGE; 250V AC/DC
CURRENT: 4A
 4. TEMP RATING: -20°TO +80°C
 5. PROTECTION: IP67 (WHEN MATED)
 6. COUPLING THREAD: M12 X 1.0
 7. UL LISTED FILE: E152210
CANADIAN LISTED FILE: LR6837
 8. ALL DIMS ARE FOR REFERENCE UNLESS TOLERANCED OR NOTED OTHERWISE

FUNCTIONAL SYMBOLS	THIS DRAWING CONTAINS INFORMATION THAT IS PROPRIETARY TO MOLEX ELECTRONIC TECHNOLOGIES, LLC AND SHOULD NOT BE USED WITHOUT WRITTEN PERMISSION		CURRENT REV DESC: REMOVED LEADING PIN NOTE	
	DIMENSION UNITS	SCALE		
$\frac{F}{A} = 0$	MM/INCH	1.5:1		
$\frac{F}{C} = 0$	GENERAL TOLERANCES (UNLESS SPECIFIED)			
DIVISIONAL SYMBOLS	4 PLACES	±	MM	INCH
	3 PLACES	±		
	2 PLACES	±		
	1 PLACE	±		
	0 PLACES	±		
	ANGULAR TOL	±	°	
	DRAFT WHERE APPLICABLE MUST REMAIN WITHIN DIMENSIONS	THIRD ANGLE PROJECTION	DRAWING	SERIES
			C-SIZE	130028

EC NO: 700917	2022/03/25	 MICRO-CHANGE EXT CORD DEV-NET DROP MALE90/FEMALE STR, 22AWG			
DRWN: RSTONE	2022/03/25				
CHK'D: MZIELINSKI	2022/03/25				
APPR: BWOODMAN	2022/03/29	PRODUCT CUSTOMER DRAWING			
INITIAL REVISION:		DOCUMENT NUMBER	DOC TYPE	DOC PART	REVISION
DRWN: MKOWALCZYK01	2018/10/09	1300280080	PSD	000	B2
APPR: MIWASIECZKO	2018/10/12	SEE P/N CHART	GENERAL MARKET		1 OF 1