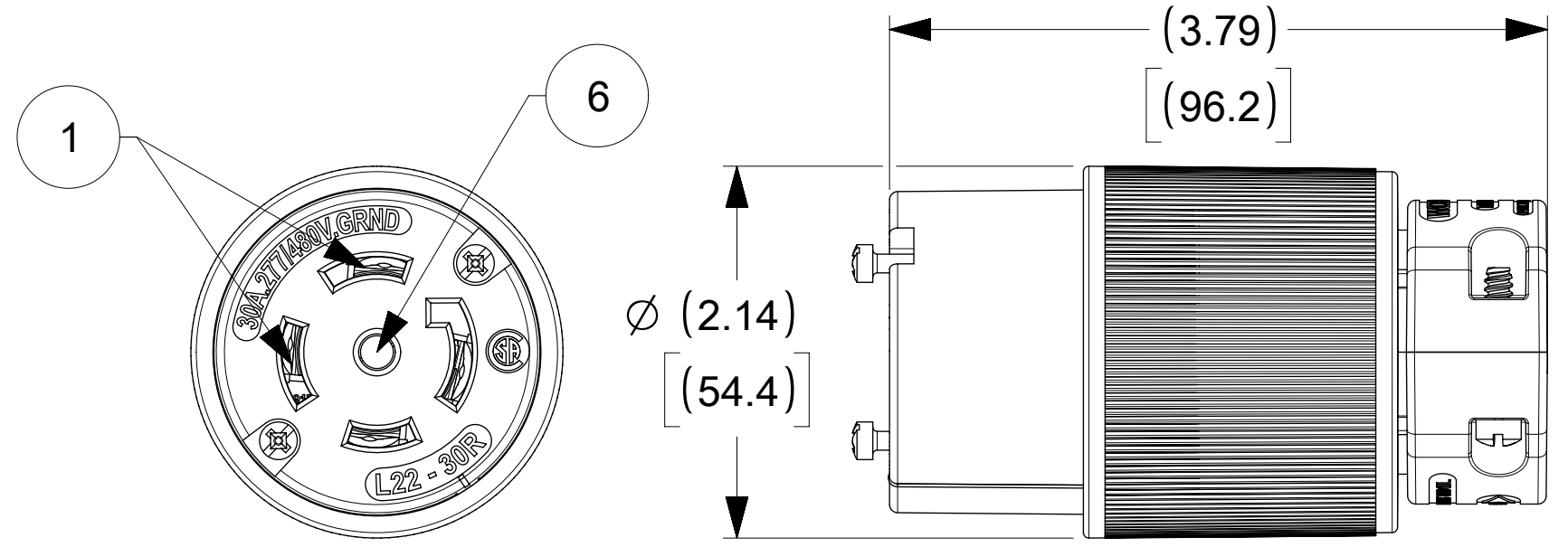
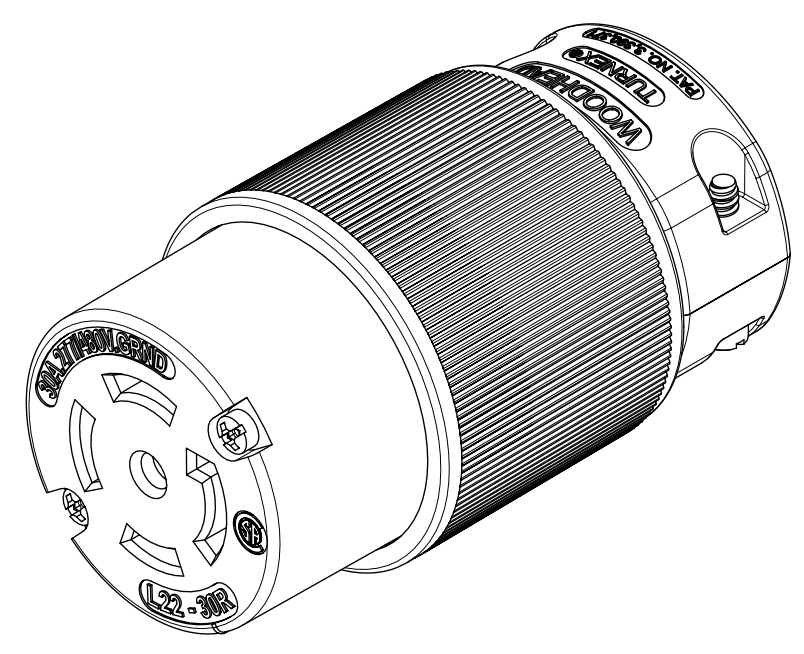
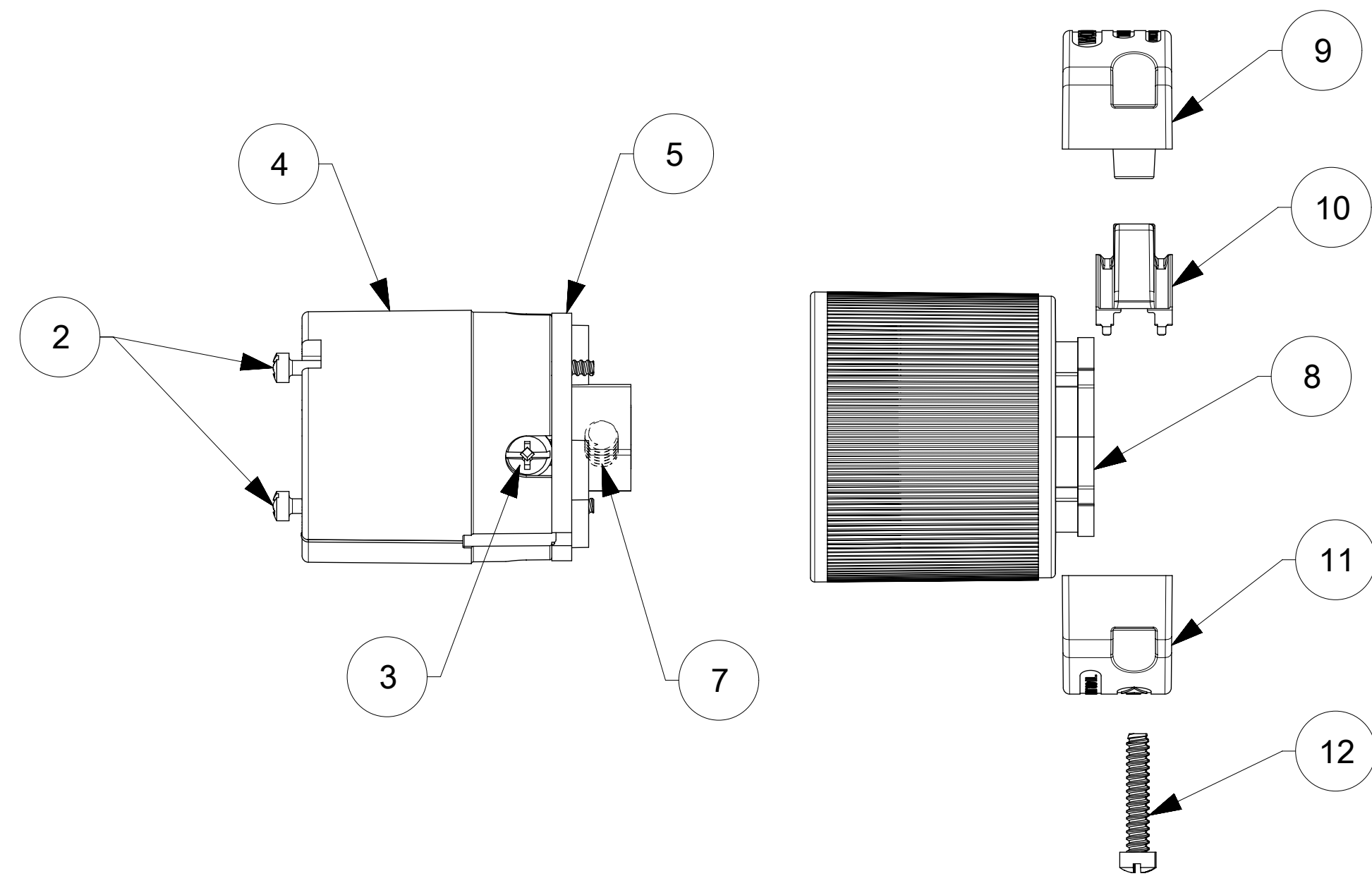
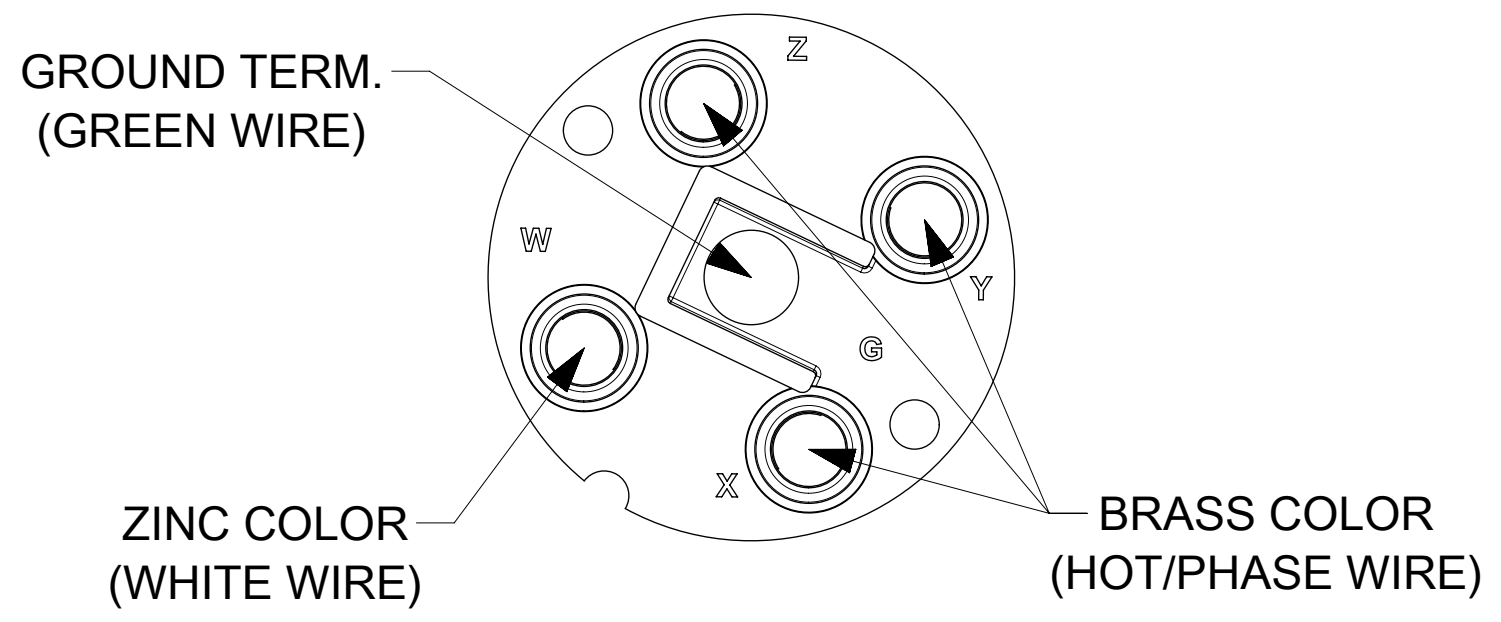


ORDER NO.	WOODHEAD NO.	COLOR
130145-0086	29T82	BLACK



WIRING TERMINATION



ITEM NO.	DESCRIPTIONS	MATERIAL	QTY.
1	BLADES	BRASS, NICKEL PLATED	4
2	RETAINING SCREWS	STAINLESS STEEL	2
3	TERMINAL SCREWS/CLAMP ASSEMBLY	BRASS, ZINC PLATED	4
4	INSERT	NYLON	1
5	TERMINAL COVER	POLYCARBONATE	1
6	GROUND PIN	BRASS, NICKEL PLATED	1
7	SET SCREW	STAINLESS STEEL	1
8	HOUSING	NYLON	1
9	CLAMP CORD MALE	NYLON	1
10	CLAMP CORD INSERT	NYLON	1
11	CLAMP CORD FEMALE	NYLON	1
12	RETAINING SCREWS	STAINLESS STEEL	2

FUNCTIONAL SYMBOLS FA = 0 FC = 0 FP = 0 DIVISIONAL SYMBOLS	THIS DRAWING CONTAINS INFORMATION THAT IS PROPRIETARY TO MOLEX ELECTRONIC TECHNOLOGIES, LLC AND SHOULD NOT BE USED WITHOUT WRITTEN PERMISSION		CURRENT REV DESC: NEW RELEASE		
	DIMENSION UNITS: INCH SCALE: NTS	GENERAL TOLERANCES (UNLESS SPECIFIED) 4 PLACES ± ± 3 PLACES ± ± 2 PLACES ± ± 1 PLACE ± ± 0 PLACES ± ±			EC NO: 628514 DRWN: VBASUTHKARP CHK'D: DNGUYEN62 APPR: HKNEELAND
	ANGULAR TOL: ± ° DRAFT WHERE APPLICABLE MUST REMAIN WITHIN DIMENSIONS	THIRD ANGLE PROJECTION	DRAWING: C-SIZE SERIES: 130145	2018/12/12 2021/09/20 2021/10/06 2018/12/12 2021/10/06	molex SAFEWAY CONNECTOR TURNEX 4P5W L22-30 PRODUCT CUSTOMER DRAWING
	DOCUMENT NUMBER: 1301450086 MATERIAL NUMBER: SEE TABLE		CUSTOMER: GENERAL MARKET DOC TYPE: PSD DOC PART: 000 REVISION: A		SHEET NUMBER: 1 OF 1