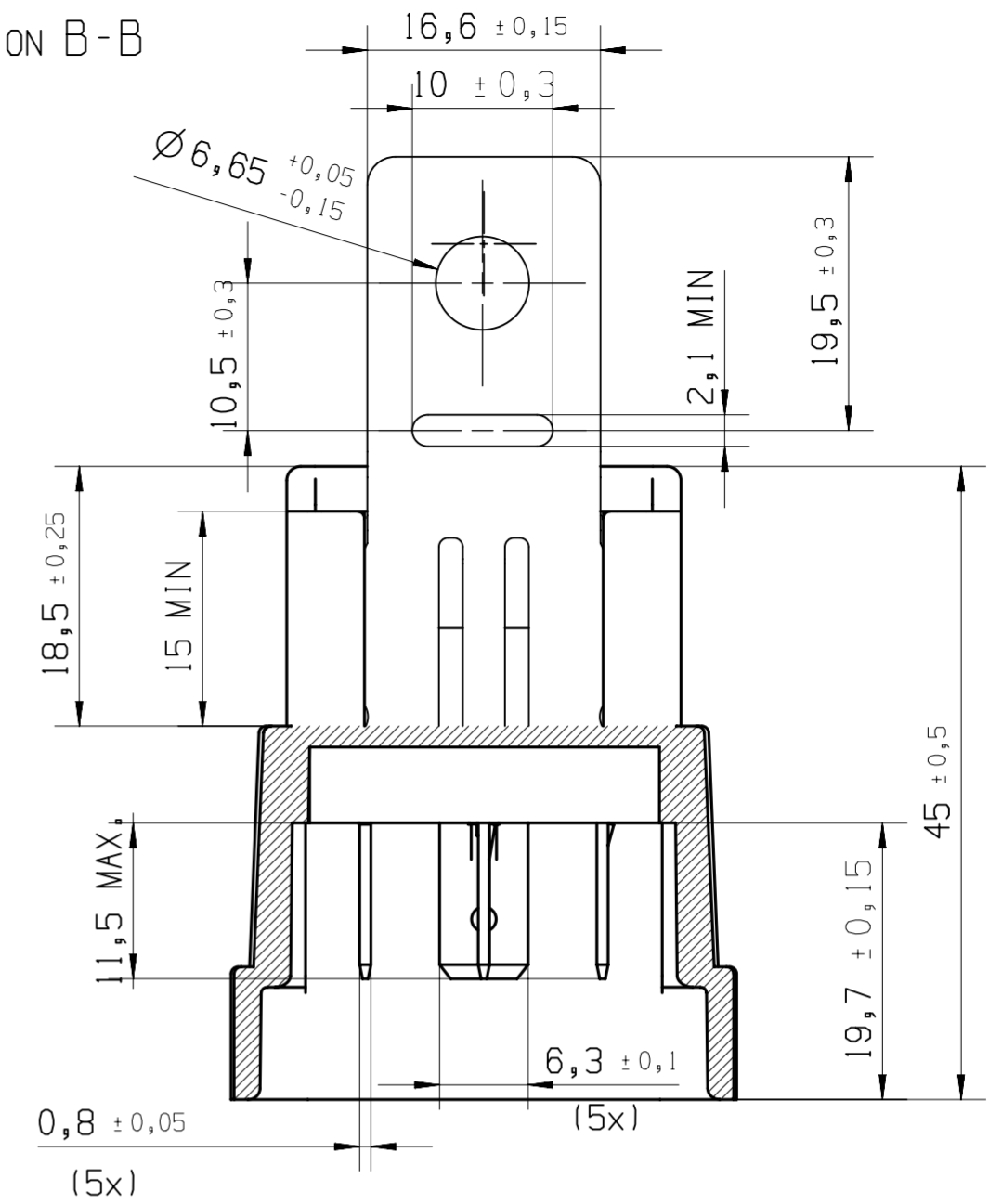


SECTION B-B

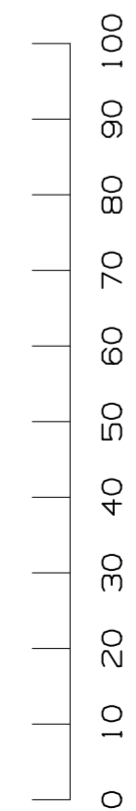


* TERMINAL LOCATIONS APPLY AT THE BASE OF THE TERMINAL

MARKING LASER MARKED OR WITH INK PRINTED OR INJECTION MOLDED TO INCLUDE: MANUFACTURER'S NAME, MANUFACTURER'S PART NUMBER, SCHEMATIC, COIL VOLTAGE, COUNTRY OF ORIGIN AND DATE CODE

Part Names
 Manufacturer Logo
 Nominal Voltage
 VF4-65H11-S08 0202202C PT
 V23134-A4064-X551
 TE Date Code
 Country of Origin
 Schematic Diagram
 24VDC

TE P/N	PART NAME
3-1904131-7	V23134-A4064-X551



PROPRIETARY THE REPRODUCTION, TRANSMISSION OR USE OF THIS DOCUMENT OR IT'S CONTENTS IS NOT PERMITTED WITHOUT EXPRESSED WRITTEN AUTHORITY. OFFENDERS WILL BE LIABLE FOR ALL DAMAGES. ALL RIGHTS, INCLUDING RIGHTS CREATED BY REGISTERED PATENT(S) GRANTED FOR A UTILITY MODEL OR DESIGN, ARE RESERVED.		CHANGES TO THIS DRAWING MUST BE DONE ONLY IN CAD	PAPER SIZE A2
APPLICABLE SPEC.: Replacement for VF4-65H11-S08		FINISH DIMENSIONS APPLY PLATING SCALE 2:1 WEIGHT	
TOLERANCE UNLESS SPECIFIED OTHERWISE DIMENSIONS IN MM		MATERIAL PART NAME POWER F RELAY CHANGE OVER	
DWN. 11NOV2016 L.Sandoval APP. REV. LOCATION PE EVORA		DWG NO. C - V23134-A4064-X551	
B ECO-19-010387 06FEB2019 L.Sand	A1 Initial Release 30NOV2016 L.Sand	SHT. 1 OF 1	
REV. CHANGE ORDER DATE APP.		CUSTOMER DRAWING	

