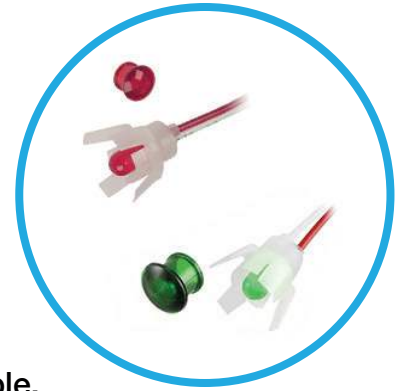
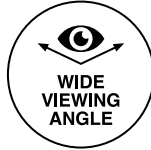


5400 Series Ø.315" (8.0mm) LED Panel Mount Indicator



A two-piece unit consisting of a lens and the housing-LED assembly. Simple, fast installation. Available in colors: Red, Amber, Green and Yellow.



Applications

- Industrial
- Transportation
- Food Services
- People Movers
- Automation and Control
- Status indication
- Professional Electrical Appliance
- Electro Medical Devices
- Aircraft/Military Instrumentation

Key Features

- For panel hole diameter: 0.315" (8.0mm)
- Low profile, damage-resistant lens
- Panel thickness: .062" to .125" (1.6 to 3.2mm)
- Available in four single illumination colors: red, green, yellow, amber
- Wide viewing angle
- Simple and fast installation
- Discharge protection
- 8mm panel mounting LED Indicator
- Unique design in a two piece unit
- For custom cable length, voltage, connectors, for colors, contact VCC
- RoHS and REACH Compliant

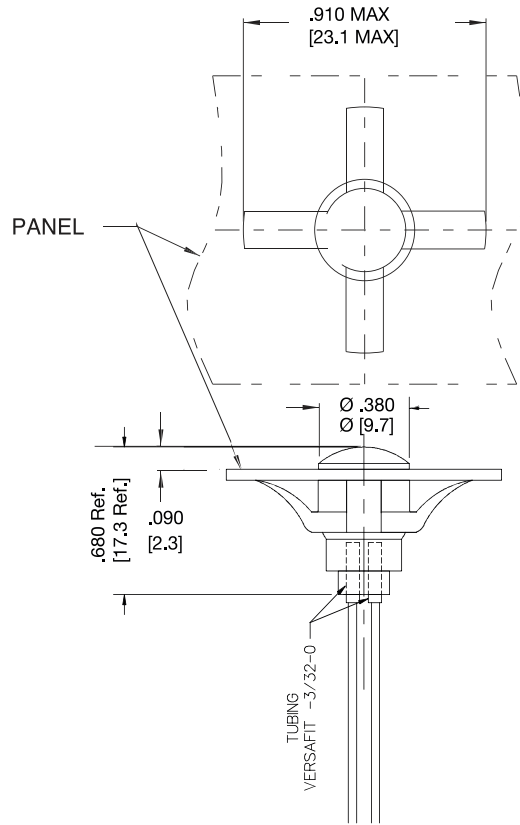
Ordering Data

Electrical-Optical Characteristics

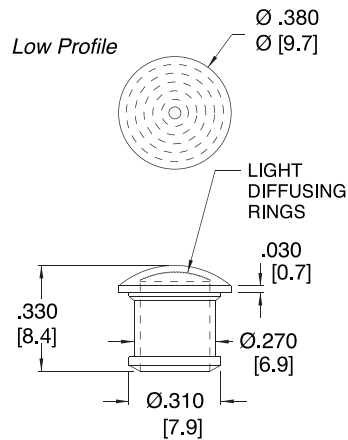
| Part Number | Color | Type Intensity (mcd) | Rated Current (mA) | Continuous Forward Current Max. (mA) | Forward Voltage Typ. (V) | Forward Voltage Max. (V) | Current @ 1ms-Peak Forward 300pps (A) | Reverse Break-down Voltage Min. (V) | Included Lens Model No. | LED Package Color |
|-------------|--------|----------------------|--------------------|--------------------------------------|--------------------------|--------------------------|---------------------------------------|-------------------------------------|-------------------------|-------------------|
| 5400A1 | Red | 120 | 20 | 35 | 2.0 | 3.0 | 1.0 | 5 | 4741 | Water Clear |
| 5400A3 | Amber | 120 | 20 | 35 | 2.0 | 3.0 | 1.0 | 5 | 4743 | Amber |
| 5400A5 | Green | 120 | 20 | 20 | 2.1 | 2.5 | - | 4 | 4745 | Green |
| 5400A7 | Yellow | 120 | 20 | 35 | 2.1 | 3.0 | 1.0 | 5 | 4747 | Yellow |

Product Dimensions

Body



Lens



Notes:

1. All dimensions are in inches [millimeters]
2. Tolerance is $\pm 0.25''$ unless otherwise noted.
3. The specifications, characteristics and technical data described in the datasheet are subject to change without prior notice.

Product Specifications

| Materials | |
|--------------------|----------------------------------------------------------|
| Housing | Natural Nylon |
| Lens | Polycarbonate |
| Wire Leads | 24 AWG PVC (105oC) 4.4/4.8" long, stripped .430/.570" |
| Heat Shrink Tubing | Black, Polyolefin VW-1 600V |

| Installation Specifications | |
|-----------------------------|----------------------------|
| Mounting Hole | .312/.317" (7.9/8.1mm) |
| Panel Thickness | .062 to .125" (1.6/3.2mm) |
| Operating Temperature | -25°C/+85°C (-13°F/+185°F) |
| Anode | Red Lead |

Installation Instructions

- The panel mount LED indicator light consists of one lens and one body in lead wires terminations.
- The fast installation is provided by inserting the lens into mounting hole in the front display panel and snapping the housing assembly onto the lens from the rear.
- Allows pre-wiring into the circuit and testing before installation.

Compliances and Approvals

