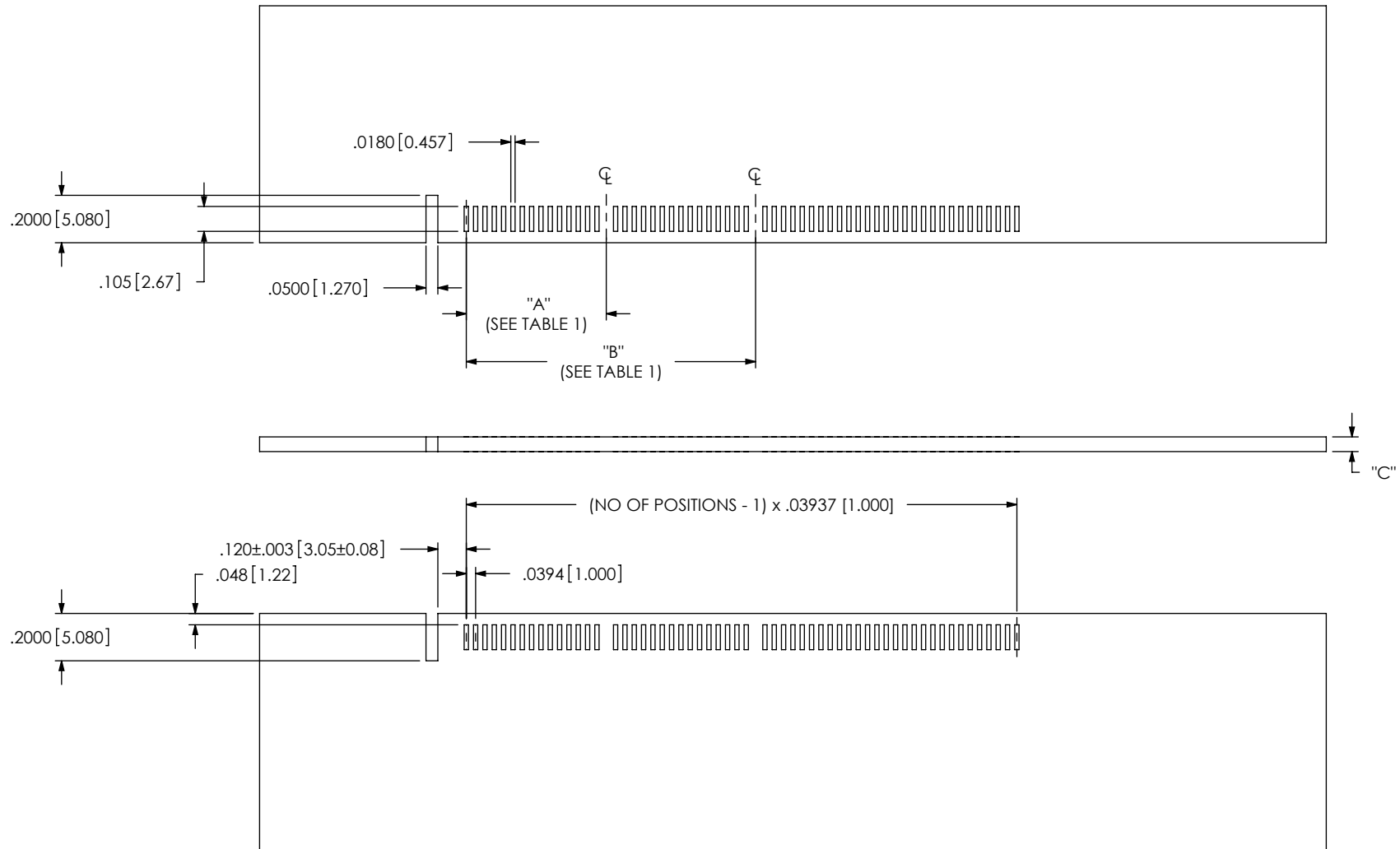


11/30/2010 ECN-143923



MEC1-160-02-X-D-EMX
(POLARIZED OPTION SHOWN)

TABLE 2	
EDGE MOUNT OPTION	"C"
-EM1	.031 [.79]
-EM2	.062 [1.57]

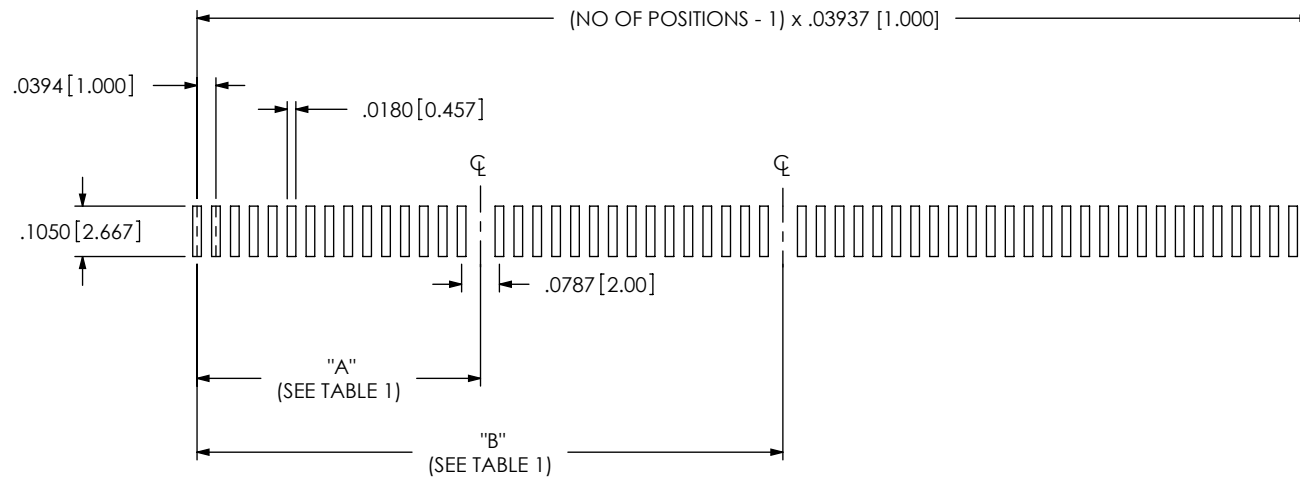
UNLESS OTHERWISE SPECIFIED,
DIMENSIONS ARE IN INCHES.
TOLERANCES ARE:
DECIMALS ANGLES
.XX: ±.01 2°
.XXX: ±.005
.XXXX: ±.0020

PROPRIETARY NOTE
THIS DOCUMENT CONTAINS INFORMATION
CONFIDENTIAL AND PROPRIETARY TO
SAMTEC, INC. AND SHALL NOT BE REPRODUCED
OR TRANSFERRED TO OTHER DOCUMENTS OR
DISCLOSED TO OTHERS OR USED FOR ANY
PURPOSE OTHER THAN THAT WHICH IT WAS
OBTAINED WITHOUT THE EXPRESSED WRITTEN
CONSENT OF SAMTEC, INC.

samtec
520 PARK EAST BLVD, NEW ALBANY, IN 47150
PHONE: 812-944-6733 FAX: 812-948-5047
e-Mail: info@SAMTEC.com code: 55322

NOTE:
STENCIL TO BE .0060[.152] THICK.

MEC1-160-02-X-D-EMX
(POLARIZED OPTION SHOWN)



PROPRIETARY NOTE

THIS DOCUMENT CONTAINS INFORMATION
CONFIDENTIAL AND PROPRIETARY TO
SAMTEC, INC. AND SHALL NOT BE REPRODUCED
OR TRANSFERRED TO OTHER DOCUMENTS OR
DISCLOSED TO OTHERS OR USED FOR ANY
PURPOSE OTHER THAN THAT WHICH IT WAS
OBTAINED WITHOUT THE EXPRESSED WRITTEN
CONSENT OF SAMTEC, INC.



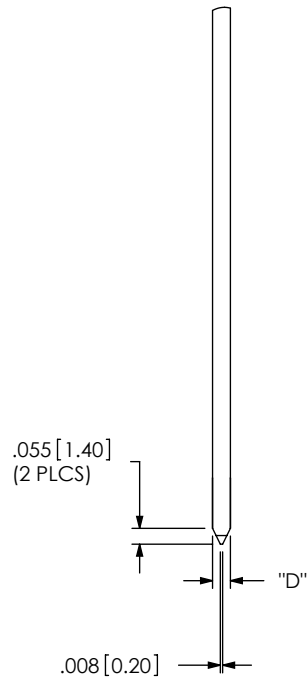
520 PARK EAST BLVD, NEW ALBANY, IN 47150
PHONE: 812-944-6733 FAX: 812-948-5047
e-Mail: info@SAMTEC.com code: 55322

TABLE 1

POSITION	"A" (CARD SLOT 1)	"B" (CARD SLOT 2)	POSITIONS POLARIZED
-05	.0394 [1.000]	N/A	3, 4
-08	.0787 [1.998]	N/A	5, 6
-20	.2756 [7.000]	N/A	15, 16
-30	.3937 [9.999]	N/A	21, 22
-40	.5906 [15.000]	N/A	31, 32
-50	.7874 [19.999]	N/A	41, 42
-60	.5906 [15.000]	1.2204 [30.998]	31, 32, 63, & 64
-70	1.0236 [25.999]	2.2441 [56.998]	53, 54, 115, & 116

TABLE 3

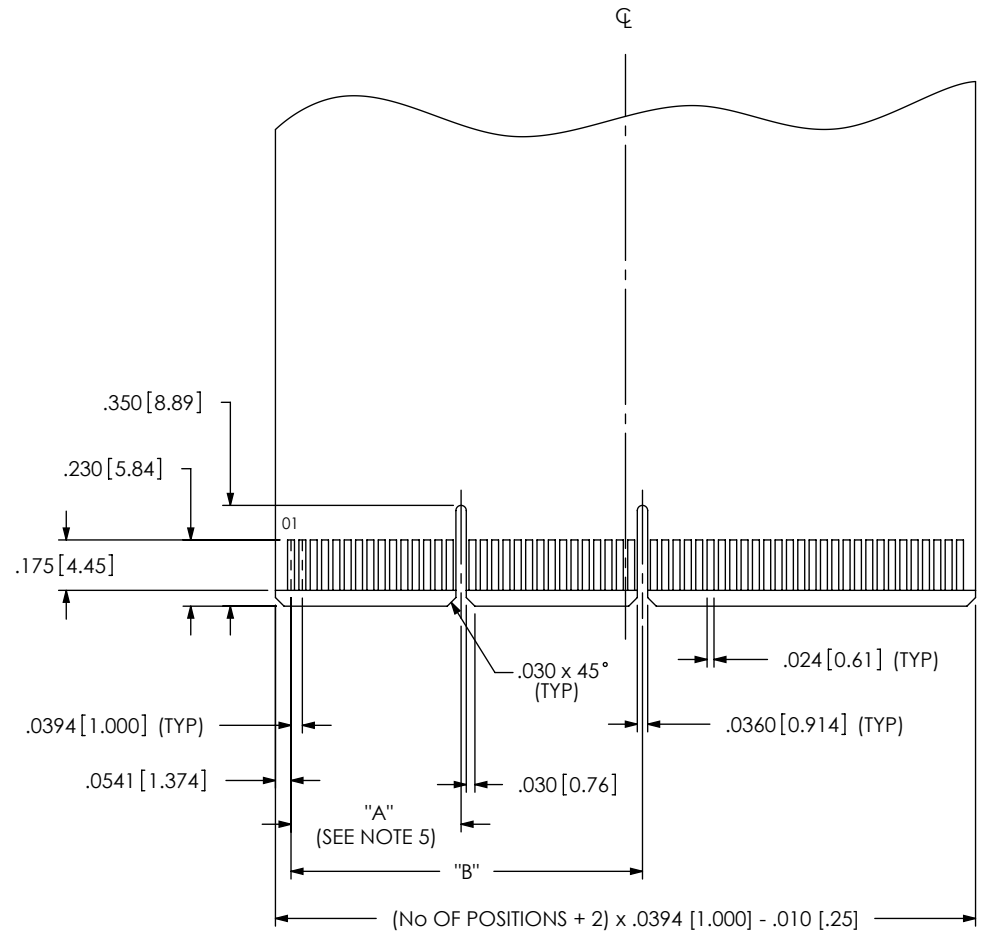
EDGE MOUNT OPTION	"D"
-01	.031 [.79]
-02	.062 [1.57]



NOTES:

1. -60 AND -70 ARE THE ONLY TWO CARDS THAT HAVE TWO SLOTS.
2. MIRROR IMAGE FOOTPRINT ON THE OTHER SIDE OF PCB.
3. FOR NON-POLARIZED OPTION, REPLACE SLOTS WITH TRACES.
4. ALL DIMENSIONS ARE SYMMETRIC ABOUT THE CENTERLINE.
5. POSITIONS -05, -08, -20, -30 ARE POLARIZED UNLESS OTHERWISE NOTED WITH OPTION -NP.
6. PLATING TO BE .000030 INCHES GOLD WITH HARDNESS OF 120-200 KNOOP PER ASTM B488 TYPE 2, GRADE C.
7. PLATING BUS TIES FOR EDGE FINGERS TO BE THE WIDTH OF THE EDGE FINGER.

MEC1-160-02-X-D-EMX
(POLARIZED OPTION SHOWN)



PROPRIETARY NOTE

THIS DOCUMENT CONTAINS INFORMATION CONFIDENTIAL AND PROPRIETARY TO SAMTEC, INC. AND SHALL NOT BE REPRODUCED OR TRANSFERRED TO OTHER DOCUMENTS OR DISCLOSED TO OTHERS OR USED FOR ANY PURPOSE OTHER THAN THAT WHICH IT WAS OBTAINED WITHOUT THE EXPRESSED WRITTEN CONSENT OF SAMTEC, INC.



520 PARK EAST BLVD, NEW ALBANY, IN 47150
PHONE: 812-944-6733 FAX: 812-948-5047
e-Mail: info@SAMTEC.com code: 55322