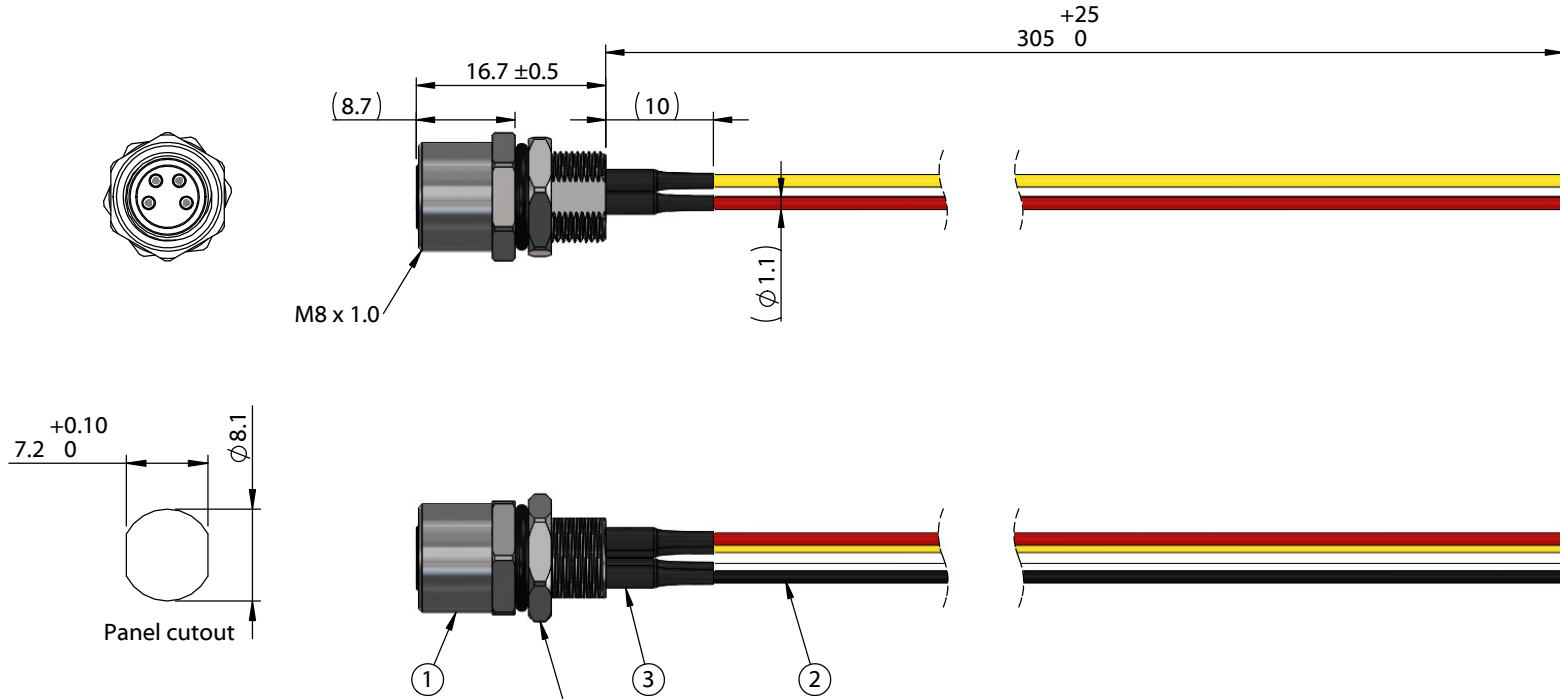


ITEM NO.	PART NUMBER	DESCRIPTION	QTY.	COMPONENT NOTES
1	54-00297	Connector, 4 pin M8 A-code socket, 8x18.7 mm, gold plated, panel mount, solder cup, IP67	1	nut and o-ring included
2	Wire	Wire, hook-up, TS, 24 AWG, UL 11028, 600V, 105C, 1.1 mm, mPPE	4	color: red, yellow, black, white
3	Heat shrink	Heat shrink, UL, black	4	covers solder joints

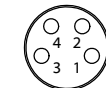


Install from outside of the panel, attach nut and tighten from within.

**Notes:**  
Cable rated for 30 V, 3 A  
Temperature: -40 ~ 105 °C

IP67 waterproof rating when mated with corresponding (IP67) connector and installed properly in panel

Cables individually packaged in PE bag  
Functionally equivalent components may be substituted



Front View  
Not to Scale

Wiring Diagram	
54-00297	wire color (P/N)
1	red (30-01762)
2	yellow (30-01765)
3	black (30-01763)
4	white (30-01764)

Revision:	Date:	Description:	Prepared:	Notes:	<h1>TENSILITY</h1> tel 1.541.323.3228 800 877.670.7118 fax 1.541.323.4202 web tensility.com
A	10/21/2022	Initial release	PB <small>Digitally signed by PB Date: 2022.12.20 11:29:47 -08'00'</small>		
			Verified:	Function test: no open, no short circuit, no intermittent	Size: A
			JD <small>Digitally signed by JD Date: 2022.12.20 16:53:04 -08'00'</small>	Description:	Part number: 10-05204
			Dimensions are in millimeters. Tolerances: X: ± 0.5 mm X.X: ± 0.3 mm X.XX: ± 0.05 mm	Cable, 305 mm, M8 4C socket panel mount 54-00297 to blunt cut, 24 AWG, UL 11028 hook-up wire	Scale: 1.5:1
					Sheet 1 of 1