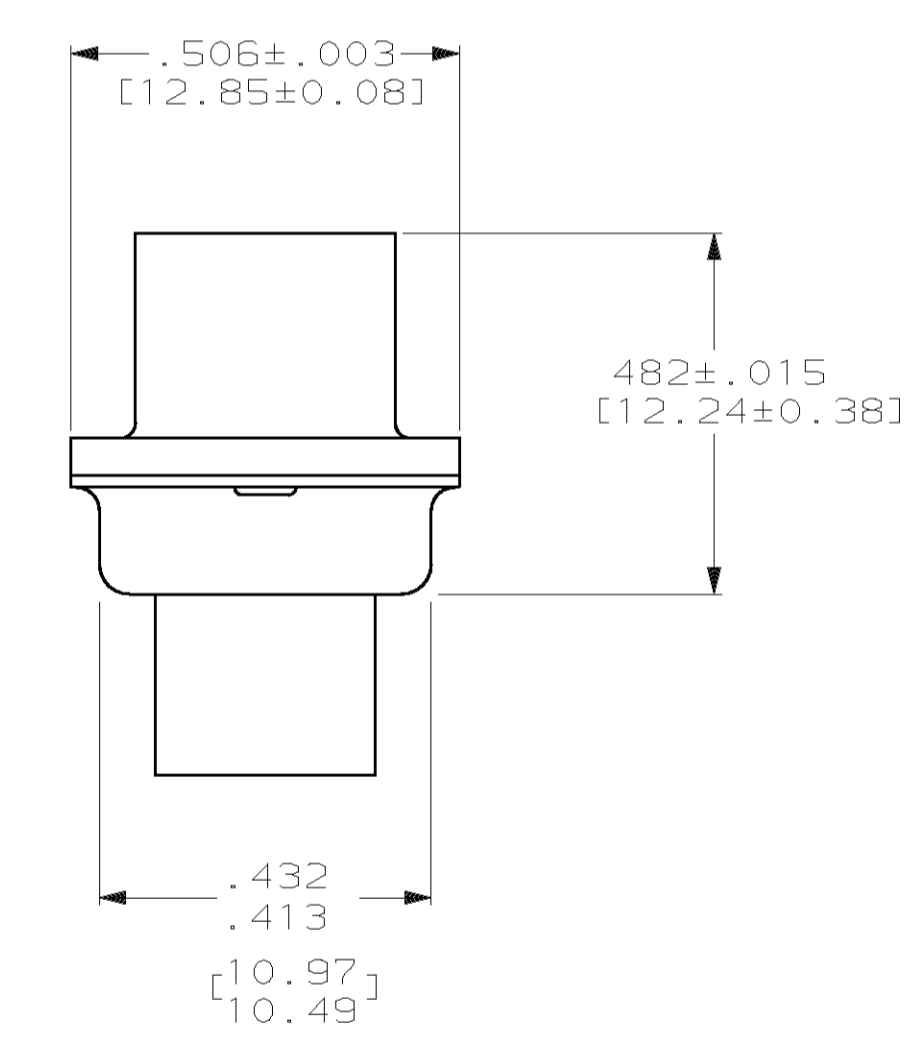
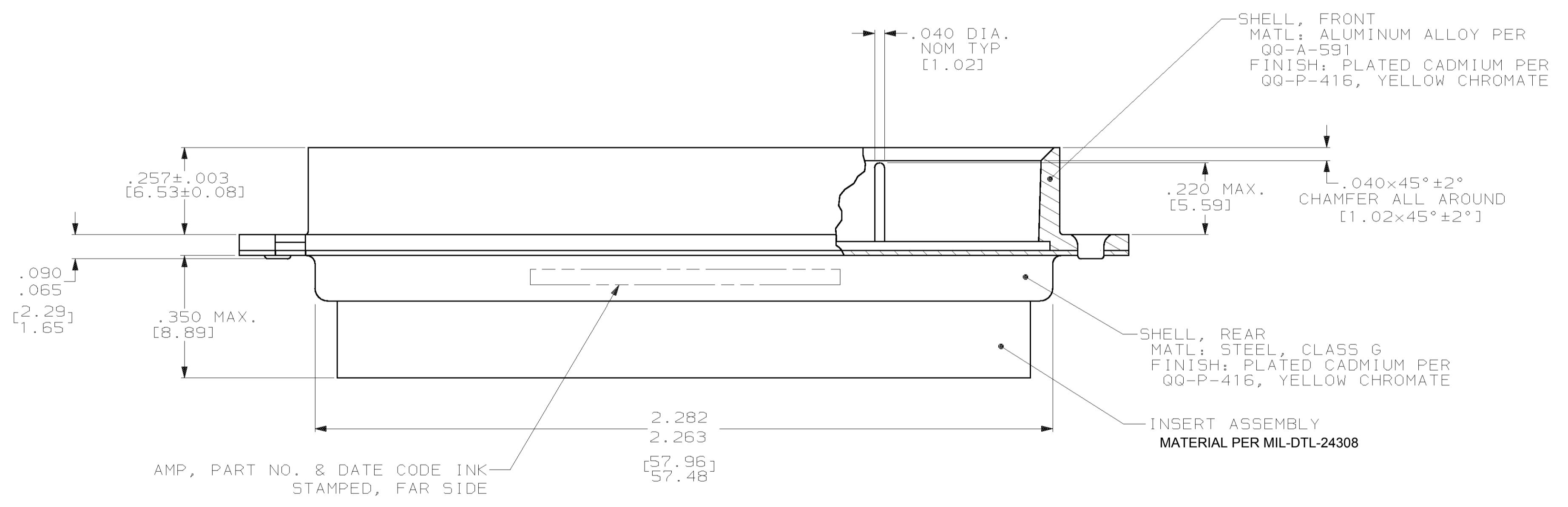
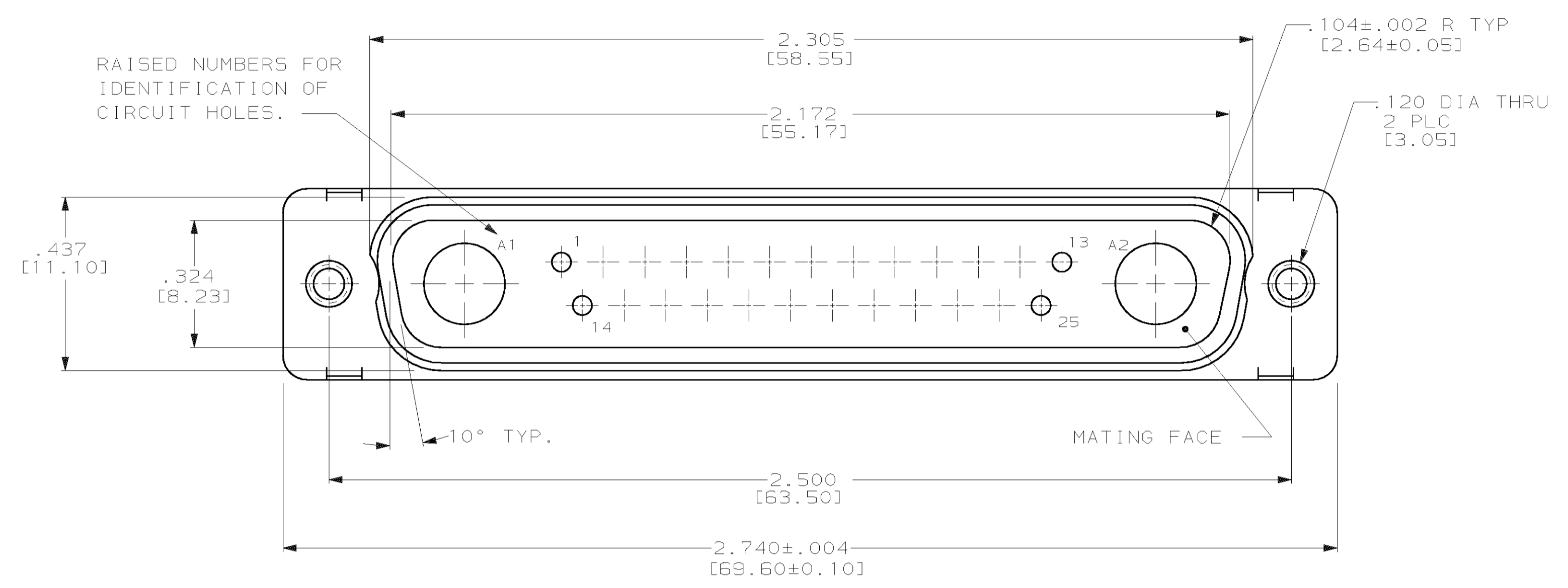


| LOC | DIST | REVISIONS | | | | |
|-----|------|-----------|--------------------------|--------|-----|------|
| DF | DO | REV | DESCRIPTION | DATE | OWN | APVD |
| | | 0 | RELEASED PER NPR 90-0542 | 2-91 | PY | FK |
| | | A | REV PER ECO 15-005922 | 6-1-15 | CT | DM |



1. THIS PLUG WILL MATE WITH ANY 27C2, SIZE 4 RECEPTACLE IN AMPLIMITE SERIES.
2. SST RETENTION CLIPS ARE INCLUDED IN INSERTS AT POSITIONS 1 THRU 25
3. THIS PLUG IS DESIGNED TO CONFORM TO THE LATEST ISSUE OF MIL-C-24308.
4. CONNECTOR SUPPLIED WITHOUT CONTACTS; SHOWN FOR ILLUSTRATION ONLY.
5. POSITIONS 1 THRU 25 WILL ACCEPT SIZE 20 DM PIN CONTACT M39029/64-369 OR ANY AMP SIZE 20 DF PIN CONTACT

447732-1
PART NO.

| | | | |
|--|------------------------|----------------------------------|--|
| THIS DRAWING IS A CONTROLLED DOCUMENT. | | DWN P. YEAGER 2-14-91 | AMP Incorporated Harrisburg, PA 17105-3608 |
| DIMENSIONS: INCHES (mm) | | CHK F. KENSEY 2-14-91 | |
| TOLERANCES UNLESS OTHERWISE SPECIFIED: | | APVD F. KENSEY 2-14-91 | NAME PLUG ASSY, AMPLIMITE, COAX MIX, 27C2, SIZE 4 SERIES 109, BLINDMATE |
| 0 PLC ±. 1 PLC ±. 2 PLC ±. 3 PLC ±.005 (0.13) 4 PLC ±. ANGLES 40°-30° | | PRODUCT SPEC APPLICATION SPEC | |
| MATERIAL SEE CALLOUTS | FINISH SEE CALLOUTS | WEIGHT - | SIZE A1 |
| CUSTOMER DRAWING | | SCALE 4:1 | SHEET 1 OF 1 |