

THIS DRAWING IS UNPUBLISHED. VERBODEN DE UNVEROFFENTLICHE ZEICHNUNG RELEASED FOR PUBLICATION FREI FÜR VERÖFFENTLICHUNG 2014 DATED WITHIN PASSEND ZU  
 © COPYRIGHT 2014 Tyco Electronics AMP GmbH ALL RIGHTS RESERVED. ALLE RECHTE VORBEHALTEN.

PROJECT NO.: PRJ-14-00000805

| REVISIONS |  | DATE      | DWN | APVD |
|-----------|--|-----------|-----|------|
| NO.       | DESCRIPTION  |           |     |      |
| A2        | DESCRIPTION CORRECTED FROM SOLDER TO SCREW TERMINAL IN TITLE BLOCK | 13NOV2014 | CR  | JK   |

1 MATERIAL: ITEM NO. 1: HOUSING - PBT  
 ITEM NO. 2: CONTACT BODY - PA  
 ITEM NO. 3: CONTACT - CuZn

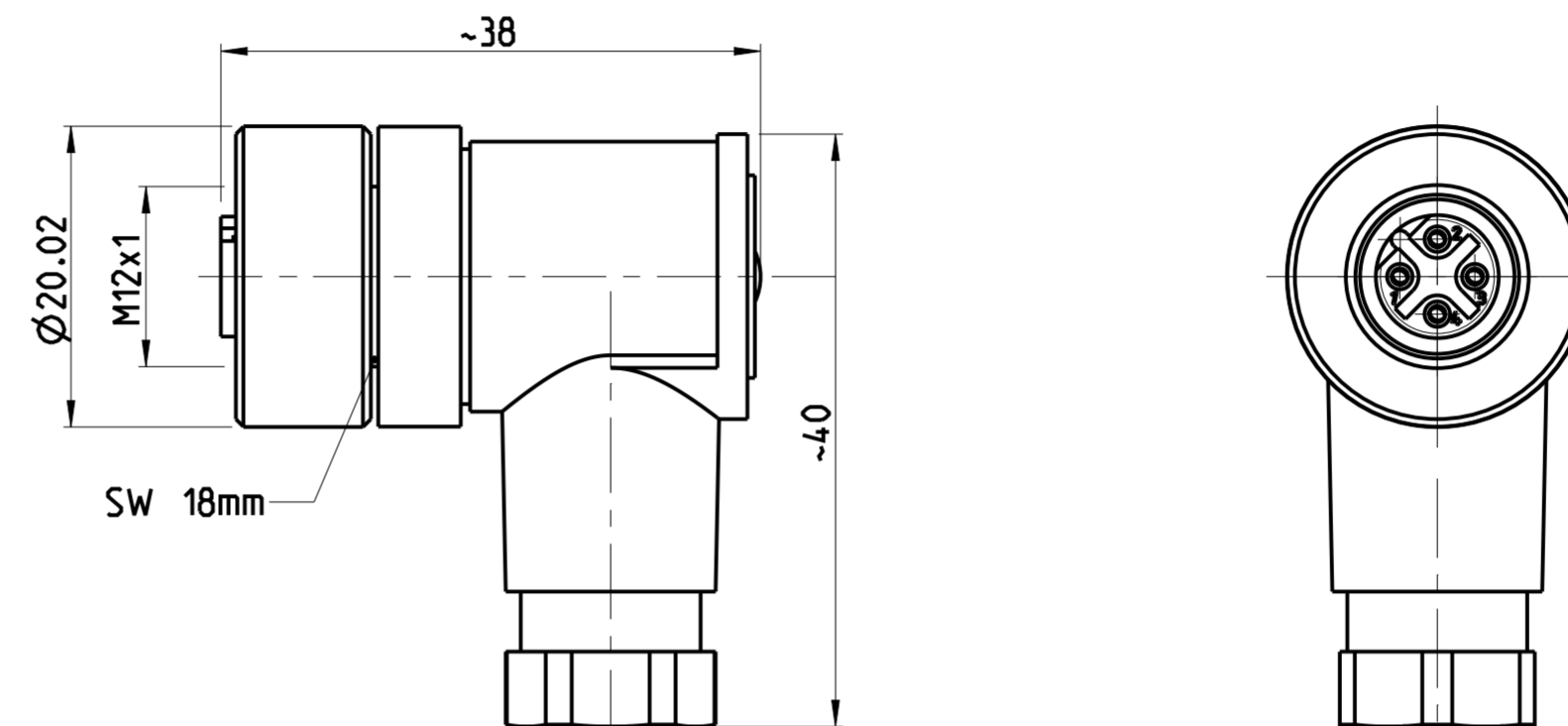
2 CONTACT FINISH - CuSnZn

3 CONTACT FINISH - Au

4 ALL DIMENSIONS ARE FOR NOMINAL REFERENCE ONLY UNLESS OTHERWISE STATED

5 MEASUREMENT REFERENCE ONLY

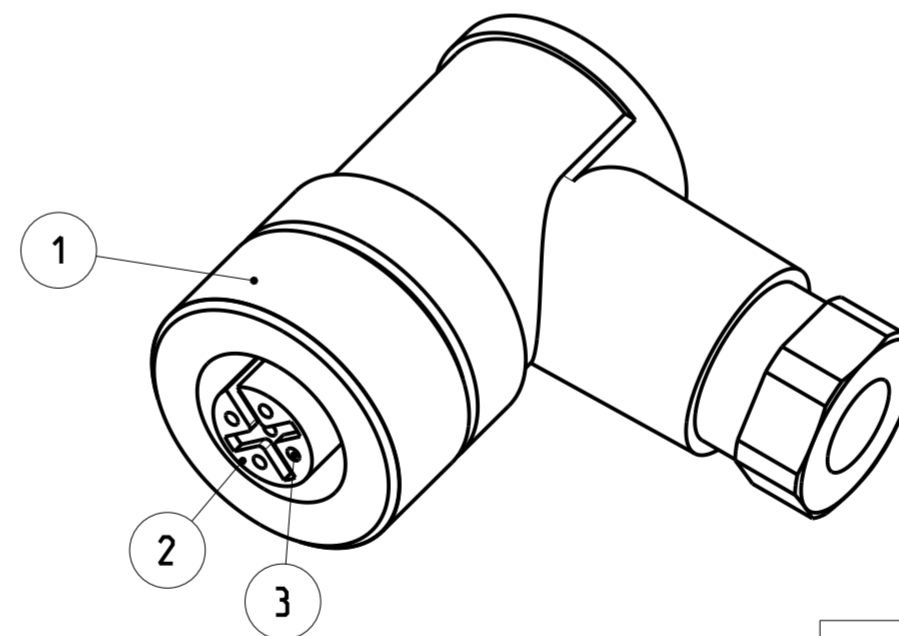
6 PACKAGING: 1 PIECE IN A BAG



| TECHNICAL DATA        | 3-2271130-1 | 3-2271130-2 | 4-2271130-1 | 4-2271130-2 |
|-----------------------|-------------|-------------|-------------|-------------|
| RATED VOLTAGE         | 250V        | 250V        | 125V        | 30V         |
| RATED IMPULSE VOLTAGE | 2500V       | 2500V       | 1500V       | 500V        |
| POLLUTION DEGREE      | 3           | 3           | 3           | 3           |
| OVERVOLTAGE CATEGORY  | II          | II          | II          | II          |
| MATERIAL GROUP        | II          | III         | III         | III         |
| RATED CURRENT         | 4A          | 4A          | 4A          | 2A          |
| VOLUME RESISTIVITY    | ≤ 3mΩ       | ≤ 3mΩ       | ≤ 3mΩ       | ≤ 3mΩ       |
| DEGREE OF PROTECTION  | IP67        | IP67        | IP67        | IP67        |
| UPPER TEMPERATURE     | +85 °C      | +85 °C      | +85 °C      | +85 °C      |
| LOWER TEMPERATURE     | -40 °C      | -40 °C      | -40 °C      | -40 °C      |

PIN ARRANGEMENT B-CODING (SCALE 2:1)

| 3-2271130-1 | 3-2271130-2 | 4-2271130-1 | 4-2271130-2 |
|-------------|-------------|-------------|-------------|
|             |             |             |             |



3-1 AS SHOWN WIE GEZEICHNET

| CABLE FEED-THROUGH mm | WIRES AWG / mm² | MATERIAL | NUMBER OF POLES | TE-PART-NO. |
|-----------------------|-----------------|----------|-----------------|-------------|
| 6-8                   | 24 / 0.25mm²    | 1 3      | 5               | 4-2271130-2 |
| 4-6                   | 18 / 0.75mm²    | 1 2      | 5               | 4-2271130-1 |
| 6-8                   | 18 / 0.75mm²    | 1 2      | 4               | 3-2271130-2 |
| 4-6                   | 18 / 0.75mm²    | 1 2      | 4               | 3-2271130-1 |

DIESE ZEICHNUNG IST EIN KONTROLLIERTES DOKUMENT. BEMASSUNGEN UND TOLERANZEN GEMAESS GPS (ISO STANDARDS).

THIS DRAWING IS A CONTROLLED DOCUMENT. DIMENSIONING AND TOLERANCING PER GPS (ISO STANDARDS).

|                                   |  |                         |                            |                                |
|-----------------------------------|--|-------------------------|----------------------------|--------------------------------|
| DIMENSIONS: MASSE/MASSSTAB: IT/IT | TOLERANCES UNLESS OTHERWISE SPECIFIED: ALLGEMEINTOLERANZEN | DWN YASHKUMAR 21MAY2014 | CHK M.STRELOW 21MAY2014    | APVD C.SCHREITLINGER 21MAY2014 |
| 0 PLC ±                           | 1 PLC ±  | 2 PLC ±                 | 3 PLC ±                    | 4 PLC ±                        |
| ANGLES/WINKEL                     | FINISH/OBERFLAECHE/FARBE                                   | PRODUCT SPEC 108-19483  | APPLICATION SPEC 114-32127 | WEIGHT GEWICHT                 |
| MATERIAL                          |  | Customer Drawing        | /KUNDENZEICHNUNG           | SCALE MASSSTAB 2:1             |

STE TE Connectivity

M12 RECEPTACLE, 90 DEG ANGLED FIELD INSTALLABLE, UNSHIELDED CONNECTOR, SCREW TERMINALS, B-CODING

|                    |                 |                                      |                        |
|--------------------|-----------------|--------------------------------------|------------------------|
| SIZE A2            | CAGE CODE 00779 | DRAWING NO. ZEICHNUNGS-NR. C-2271130 | RESTRICTED TO MUR FUER |
| SHEET BLATT 1 OF 1 |                 | REV A2                               |                        |

SIZE ISO 14405 (E)