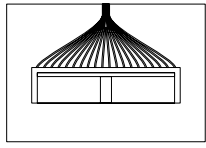
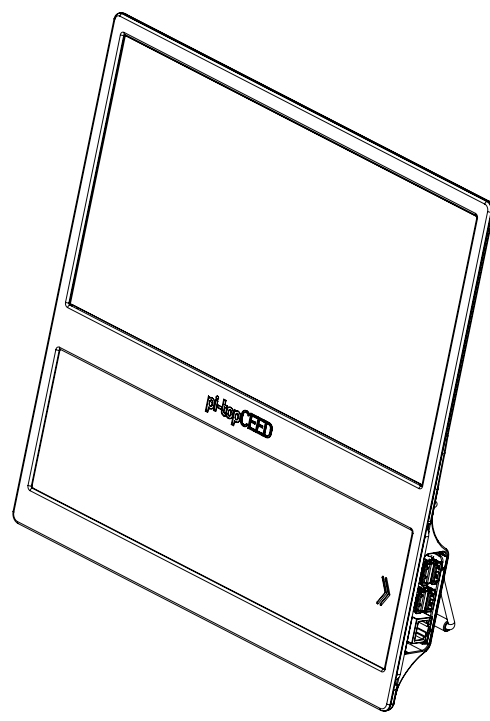


INSTRUCTION MANUAL

Follow this side if your pi-topCEED has a GPIO Breakout Cable.



This cable makes your pi-topCEED compatible with pi-top Add-ons.



Welcome

Welcome to the pi-top family!

pi-topCEED is very special to us (and so are you, of course!). We are hugely passionate about this product and are thrilled to provide excellent content so you can learn to make anything. Your support has helped to make this a reality and we thank you for joining us on this exciting maker journey!

We believe pi-topCEED is the best way to get started with hardware and software. Open up your box and immediately immerse yourself in a new way of exploring computing – unlocking a world of possibilities. As you grow and learn, pi-topCEED will be part of your journey to expand your knowledge - the only limit is your imagination!

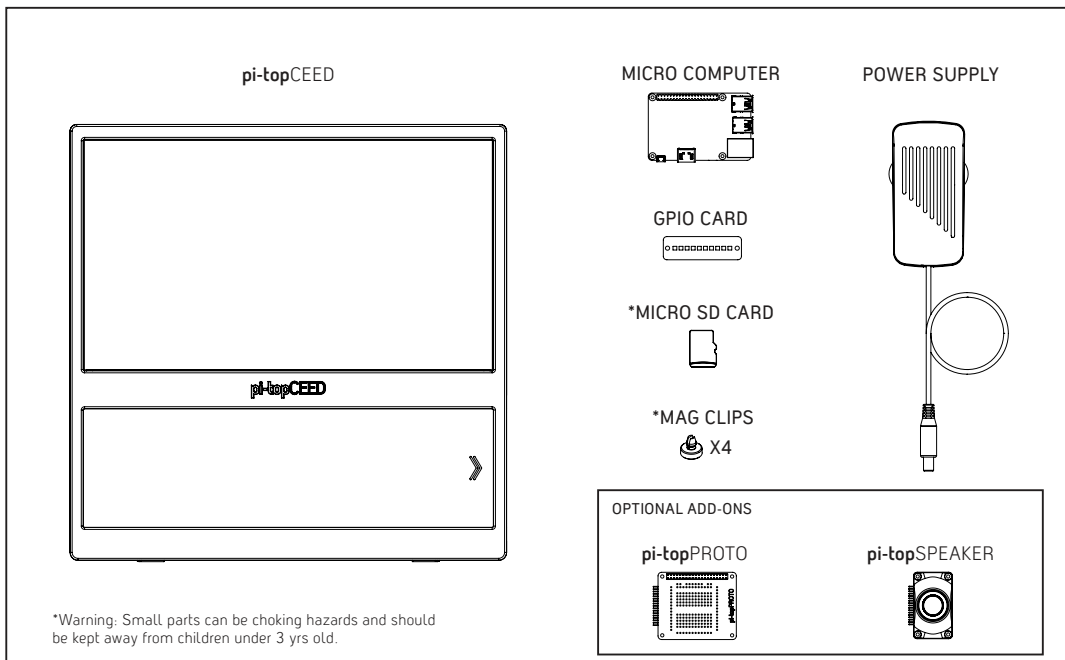
So, let's get started! Set up your pi-topCEED following our manual so you can log-in and start your own cool projects, play our educational game CEEDuniverse and more!

Step through the world's gateway to technology.

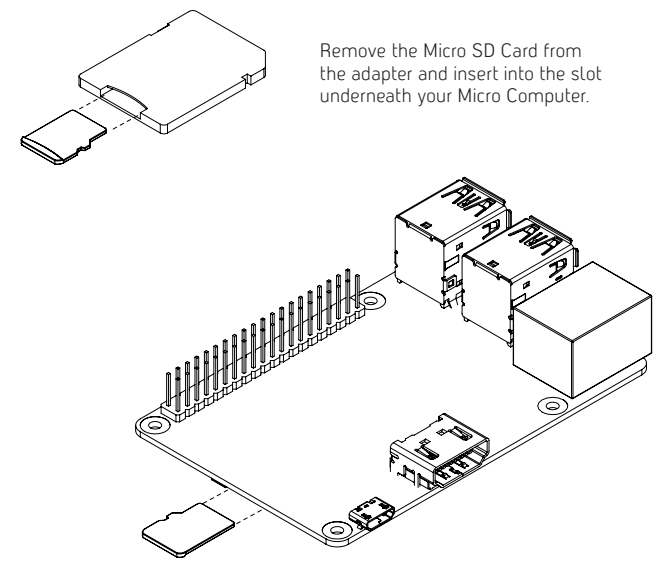
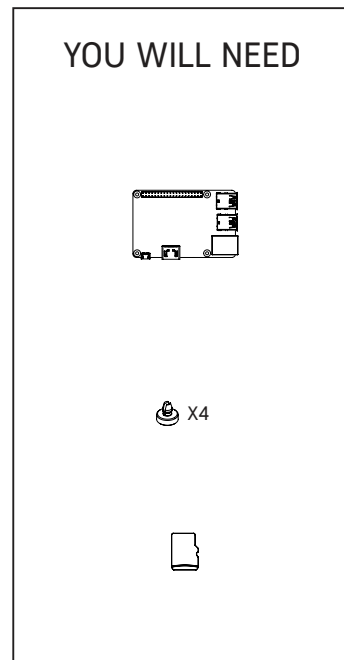
With love,

The pi-top Team

Getting Ready: What's in the Box?

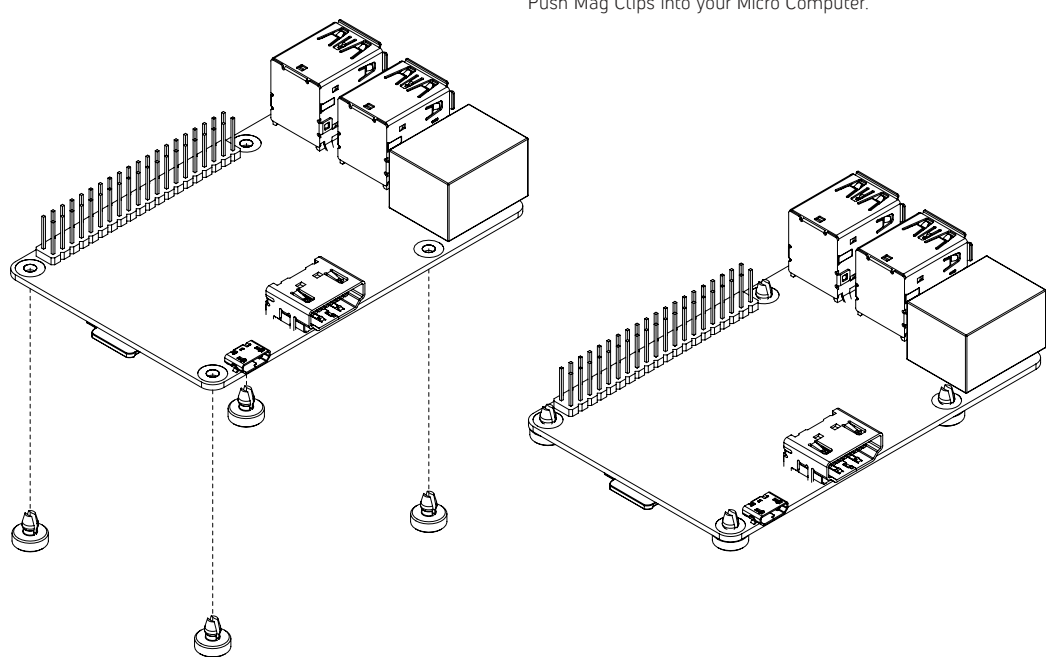


Step 1: Inserting MicroSD Card



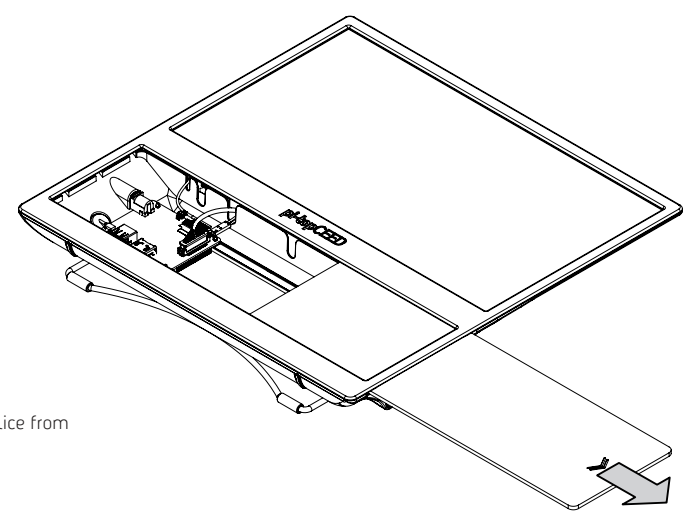
Step 2: Inserting Mag Clips

Push Mag Clips into your Micro Computer.



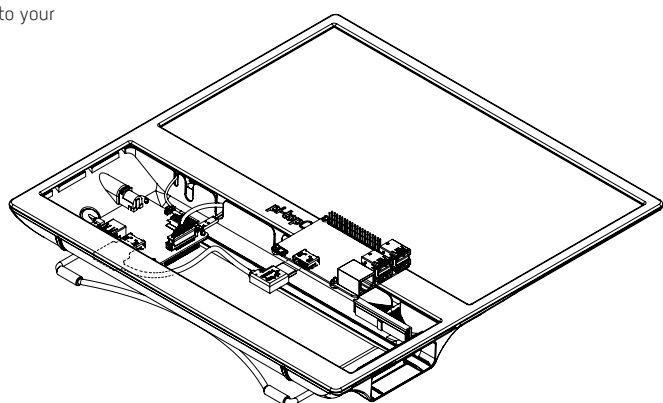
Step 3: Preparing pi-topCEED

Remove the Acrylic Slice from your pi-topCEED.



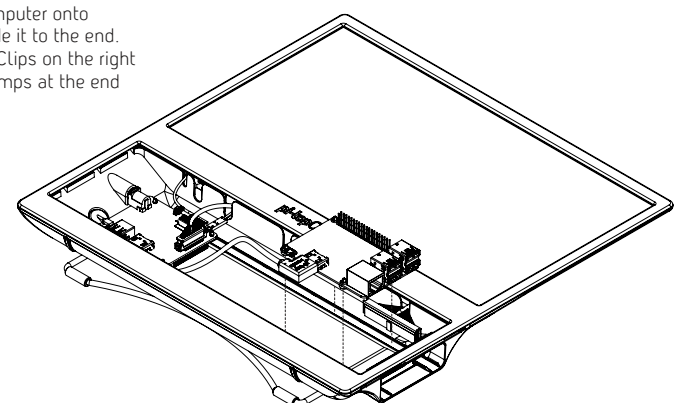
Step 4: Connecting HDMI Cable

Connect the HDMI Cable into your Micro Computer.

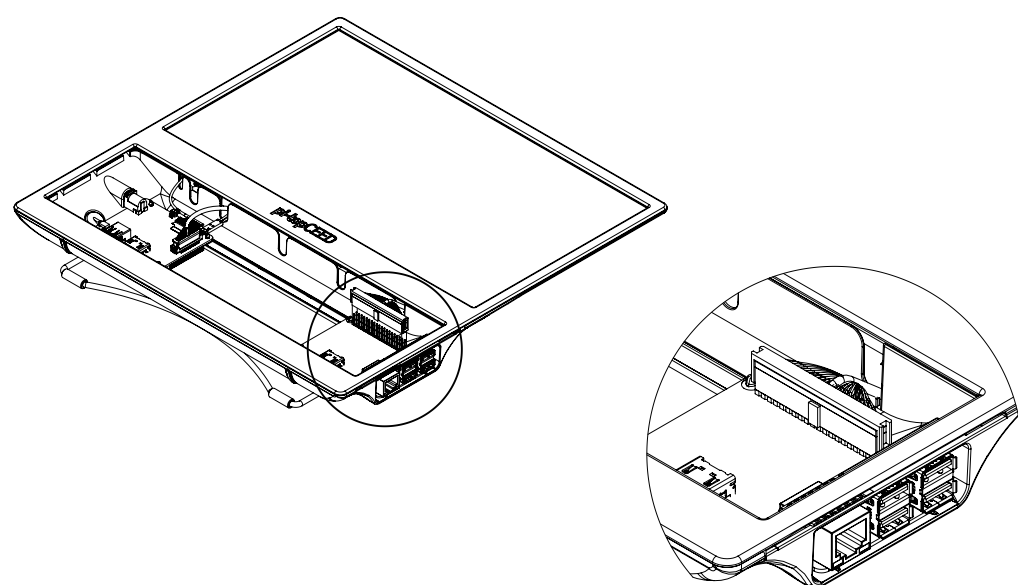


Step 5: Inserting Micro Computer

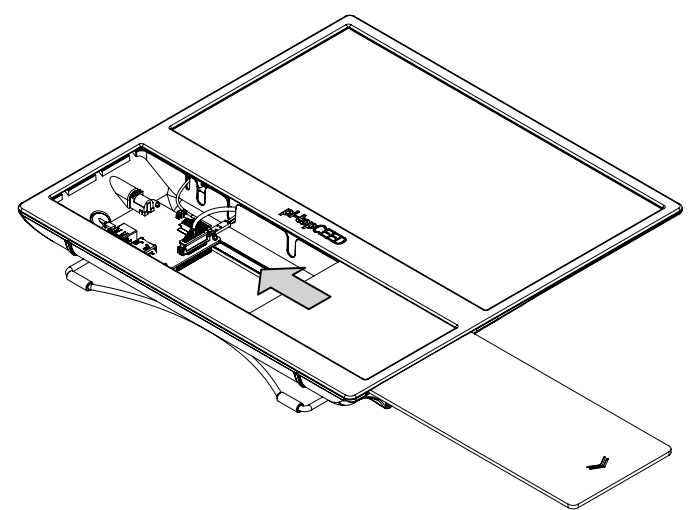
Place your Micro Computer onto the Mag Rail and slide it to the end. Ensure the two Mag Clips on the right are lifted over the bumps at the end of the Mag Rail.



Step 6: Connecting GPIO

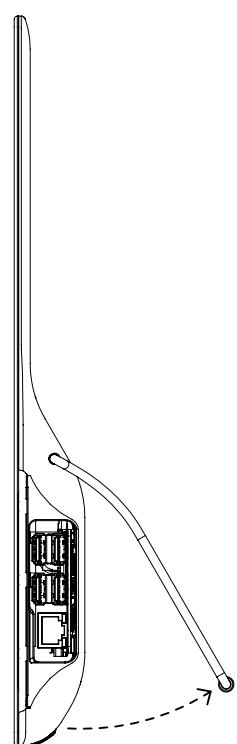


Step 7: Sliding in Acrylic Slice



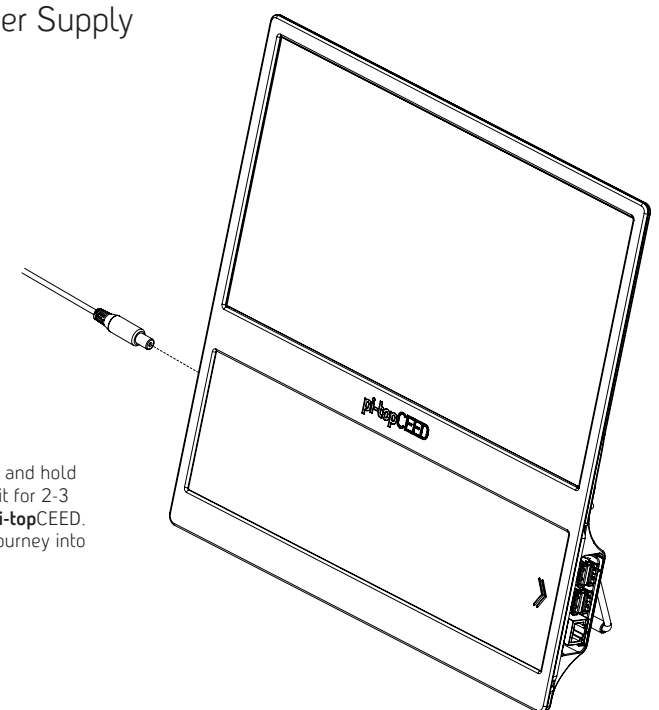
Step 8: Adjusting Kick Stand

Adjust the Kick Stand so your pi-topCEED sits on a desk at a comfortable viewing angle.

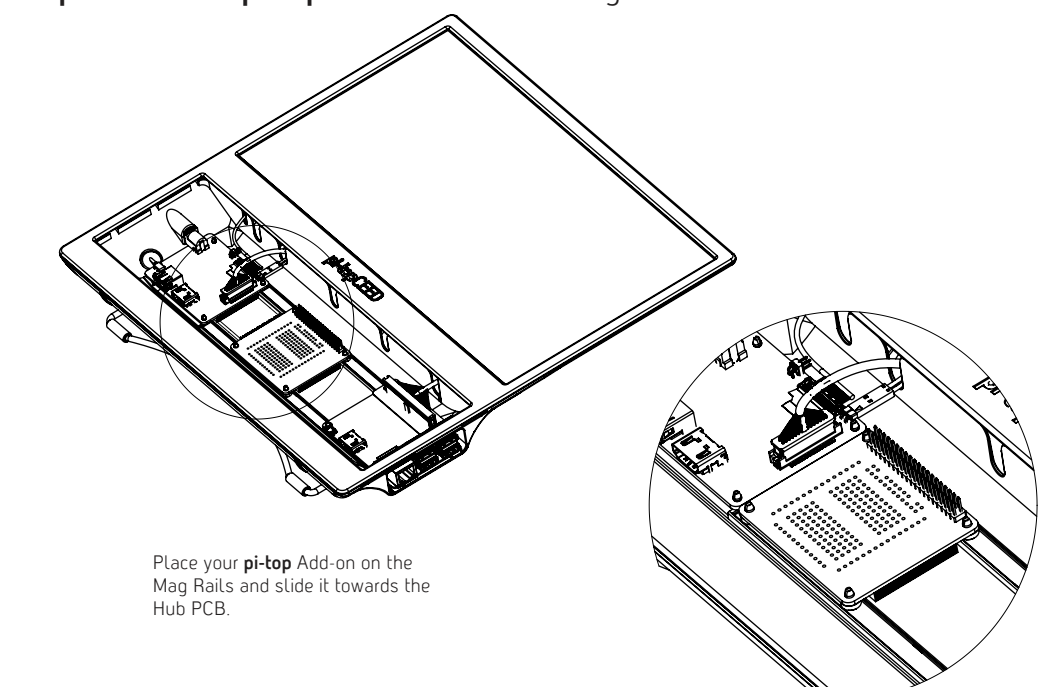


Step 9: Connecting Power Supply

Plug in the Power Supply and hold the Power Button beside it for 2-3 seconds to turn on your pi-topCEED. You can now begin your journey into the world of computing!



Step 10: Place pi-top Add-ons on the Mag Rails



For more build instructions and FAQ, visit: www.pi-top.com/build

For help please contact: support@pi-top.com