

ITEM	PART#	DESCRIPTION	QTY	UOM
A	9508080	KK 156 Crimp Housing 08 Ckt	1	PC
B	8500105	KK 156 TERMINAL CRIMP 18-24 AWG TIN	8	PC
C		PAPER PRINTED PAPER WHITE	1	PC

FROM	TO	DESCRIPTION	COLOR
A1	--	1X18AWG MPPE BK UL11028	BLACK
A2	--	1X18AWG MPPE BK UL11028	BLACK
A3	--	1X18AWG MPPE BK UL11028	BLACK
A4	--	1X18AWG MPPE BK UL11028	BLACK
A5	--	1X18AWG MPPE BK UL11028	BLACK
A6	--	1X18AWG MPPE BK UL11028	BLACK
A7	--	1X18AWG MPPE BK UL11028	BLACK
A8	--	1X18AWG MPPE BK UL11028	BLACK

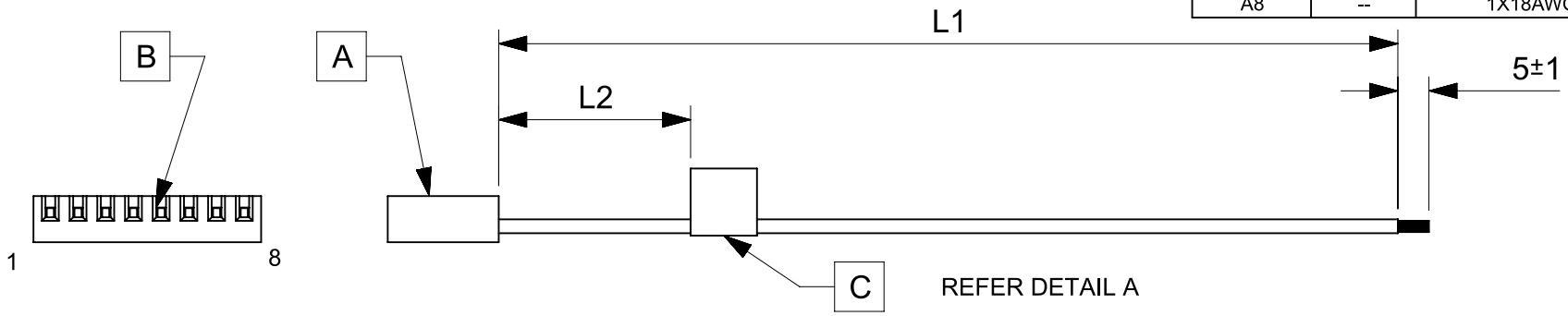


TABLE			
PART NUMBER	L1	L2 (REF)	TITLE
2196651082	150±4	50	KK 3.96 R-S 8ckt 150mm disc Sn
2196651083	300±4	50	KK 3.96 R-S 8ckt 300mm disc Sn
2196651084	600±6	50	KK 3.96 R-S 8ckt 600mm disc Sn

NOTES

1. Connector view shown is from mating side.
2. Label text must be 2mm max. in height with Arial font.
3. Label must be wrapped in Flag type on a single cable.
4. Free ends must be stripped, twisted & tinned. The length of tinning is 5±1mm. Tinning Dia must be 1.6 mm Max.

MOLEX P/N
 MOLEX
 BATCH WK/YR
 DETAIL A

REVISION			
DATE	REV	DESCRIPTION	CHANGER
2021/12/27	A	INITIAL RELEASE	SAIKIG

FUNCTIONAL SYMBOLS $\frac{F}{A} = 0$ $\frac{F}{E} = 0$ $\frac{F}{P} = 0$ DIVISIONAL SYMBOLS	THIS DRAWING CONTAINS INFORMATION THAT IS PROPRIETARY TO MOLEX ELECTRONIC TECHNOLOGIES, LLC AND SHOULD NOT BE USED WITHOUT WRITTEN PERMISSION		CURRENT REV DESC:				
	DIMENSION UNITS: mm SCALE: NTS	GENERAL TOLERANCES (UNLESS SPECIFIED)		EC NO: 691733 DRWN: SAIKIG 2021/12/29 CHK'D: MNARAYAN01 2022/01/19 APPR: MNARAYAN01 2022/01/19			
	ANGULAR TOL ± °		INITIAL REVISION: DRWN: SAIKIG 2021/12/29 APPR: MNARAYAN01 2022/01/19			PRODUCT CUSTOMER DRAWING	
	4 PLACES ± 3 PLACES ± 2 PLACES ± 1 PLACE ± 0 PLACES ±	DRAFT WHERE APPLICABLE MUST REMAIN WITHIN DIMENSIONS		THIRD ANGLE PROJECTION		DRAWING: A4-SIZE	SERIES: 219665
DOCUMENT NUMBER: 2196651082		DOC TYPE: PSD	DOC PART: 000	REVISION: A	SHEET NUMBER: 1 OF 1		