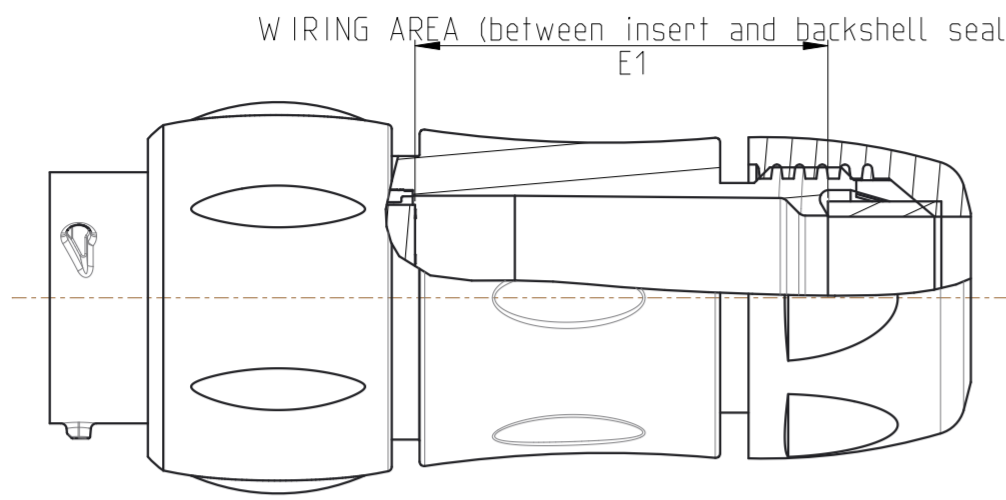


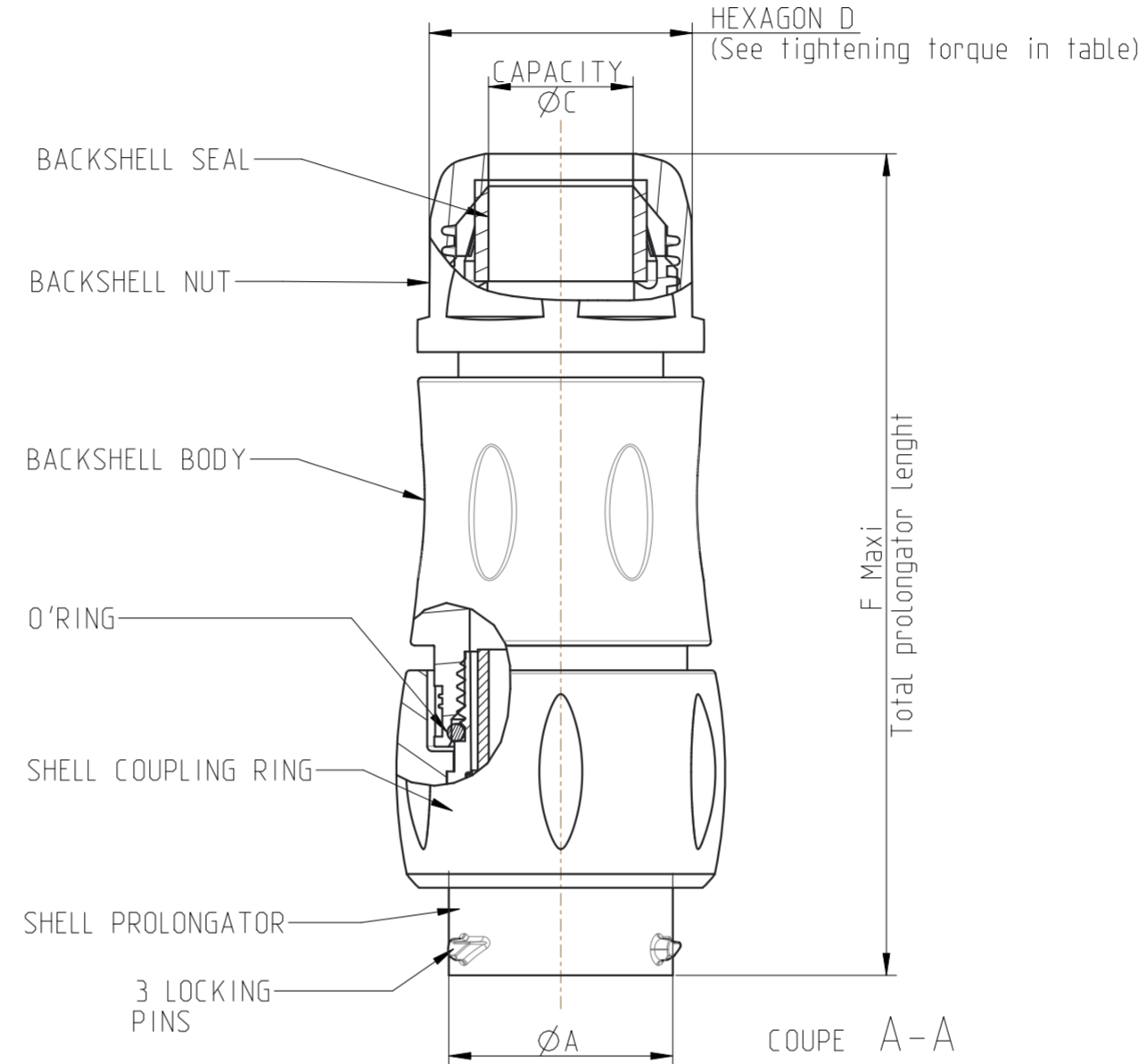
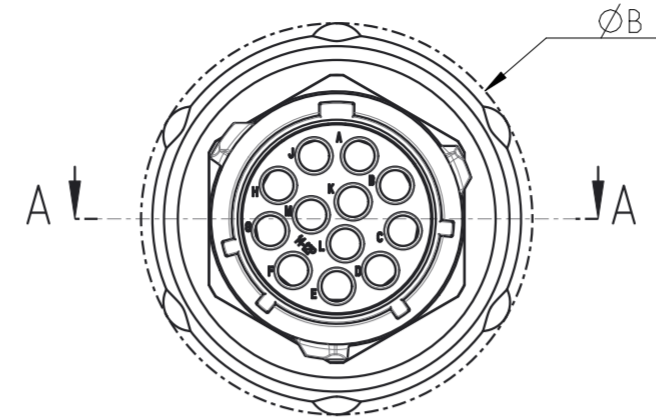
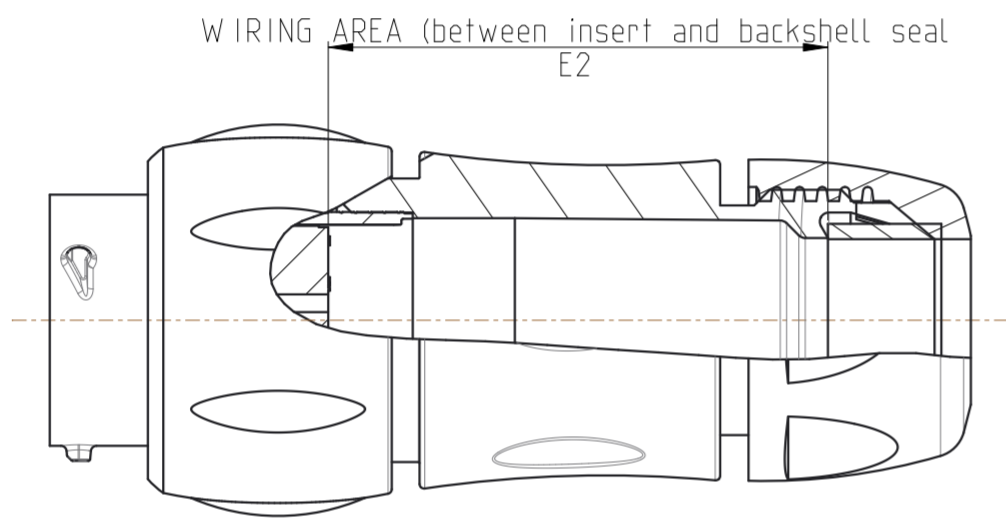
SIDE VIEW FOR EACH TYPE OF CONTACTS

COMMON QUOTES FOR ALL TYPE OF CONTACTS

UTSX1JC----P



UTSX1JC----S



- MATERIAL :
- SHELLS : PA UL94 V0, UL746C F1 Black color
  - INSERT : PA UL94 V0, UL746C F1
  - BACKSHELLS : PA UL94 V0 F1 Black color
  - BACKSHELL Seal : CR
  - O'RING : Nitril
  - CONTACTS : brass + coated depending on P/N

- PERFORMANCE CHARACTERISTICS :
- Operating temperature: -40°C up to 105°C
  - Insulation resistance: 5000 MΩmin under 500V
  - Corrosion salt spray: 500 hours
  - Durability: 250 matings and unmatings
  - Sealing in mated conditions with counterpart:
    - IP6x : No ingress of dust
    - IPx8 1 bar during 1 week : immersion under 10 m of water.
    - IPx9K : exposure to high pressure water of cleaning equipment (IEC 60529)

- NOTA:
- 1- Contact to be ordered separately : refer to corresponding catalogue.
  - 2- Insert arrangement refer to:

UTX\_LAYOUT (Standard Version)

- 3- This part shall be used at the place of the standard seal to accomodate with different cable Ø
- 4- Plug, backshell and the reducing seal are delivered a kit. The backshell already includes the standard

Country	Jurisdiction & Control List
FR	NOT LISTED

SHELL SIZE	±0.2	MAX	STANDARD	REDUCING SEAL (NOTA.3)	HEXAGON backshell nut		MAX		
	ØA	ØB	ØC		D	Tightening torque (N.m)	E1	E2	F
10	15.2	26.7	2.5 / 8	1.5 / 5	18.5	1	31	38	75
12	19.15	30.1	5 / 12	3 / 9	24	2	34	41.5	78
14	22.31	35.1	7 / 14	5 / 12	26	2.5	38	45.5	84

P/N : CROSS REF TABLE

BASIC SERIES	UTSX	1	JC	14	19	P	-	* P/N for example
SHELL TYPE	1	Free hanging prolongator						
BACKSHELL	JC							
SHELL SIZE	10 12 14							
INSERT ARRANGEMENT	See NOTA 2							ORIENTATIONS Normal (no digit) W.X.Y.Z
								TYPE OF CONTACTS P: MALE S: FEMALE

B	15/09/2021	Mass column deleted	25782C
ISS	DATE	Latest modification - by:	Q.LECOMTE
Designed by:	J.GAMBIER	Date: 1 21/07/2020	CUSTOMER DRAWING
TITLE	FREE HANGING PROLONGATOR Type 1, SIZE 10 12 14 - standard version CONNECTEUR UTSX		
Scale	3/2	Dimensions in mm General Linear Tolerances: ± 0.2	NPRDS / PROJECT GBB
		www.souriau.com	This document is the property of SOURIAU It must not be reproduced or communicated without permission
FORMAT	A2	SOURIAU DRG N° UTSX-0003A-C	SHEET 1 / 1

SOURIAU shall not be liable for any non-conformity or damage due to a use of the Products which does not comply with the Specifications issued by either of the Parties or by a third party (professional recommendation, technical notice.)