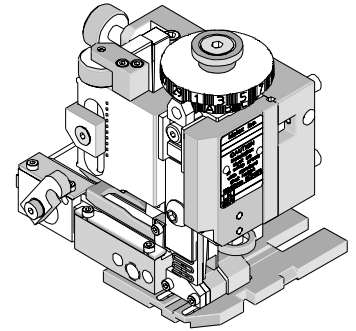




Mini-Mac Applicator Specification Sheet Order No. 63892-7100



FEATURES

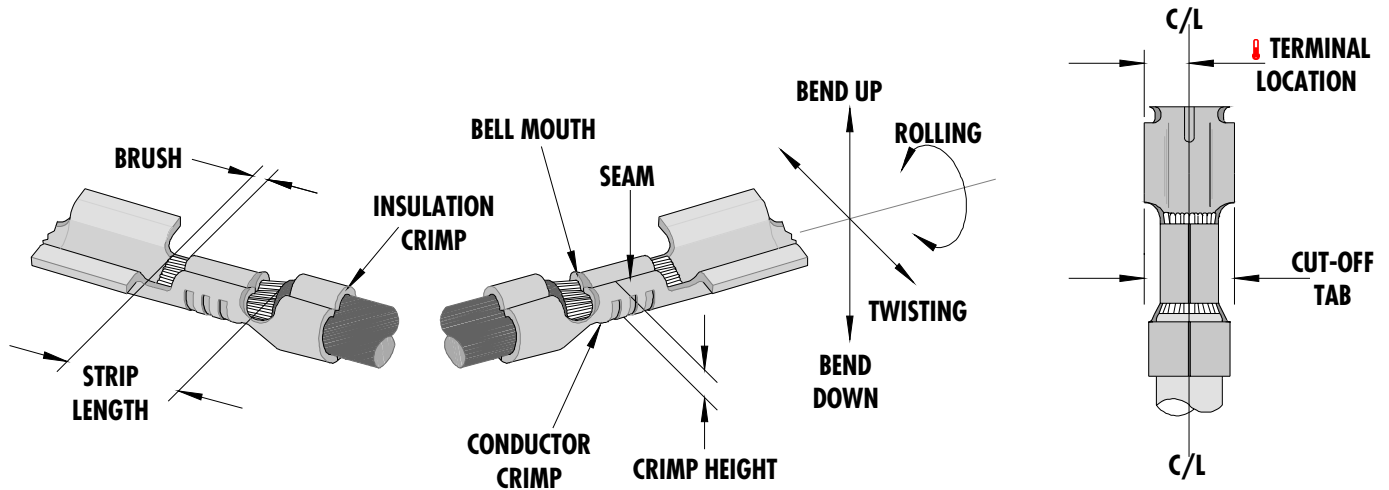
- Directly adapts to most automatic wire processing machines
- Applicator designed to industry standard mounting and shut height 135.80mm (5.346")
- Quick set-up time; plus the crimp height, track and feed adjustments can be set without removing the applicator from the press
- Fine adjustment allows users to achieve target with little effort by adjusting in increments of .015mm (.0006") for conductor crimp height and .063mm (.0025") for insulation height
- Independent adjustment rings allow users to quickly adjust the conductor or insulation crimp height without affecting each other.

SCOPE

Products: 2.36mm (.093") Diameter, Standard .093" Pin and Socket Crimp Terminal, 14-20 AWG

| Terminal Series No. | Terminal Order No. | | | Wire Size | | Insulation Diameter | | Strip Length | |
|--|--------------------|------------|------------|-----------|-----------------|---------------------|-----------|--------------|-----------|
| | | | | AWG | mm ² | mm | In. | mm | In. |
| 1189 | 02-09-1101 | 02-09-5102 | 39-00-0290 | 14 - 20 | 2.00-0.50 | 1.65-4.06 | .065-.160 | 3.96-5.54 | .156-.218 |
| | 02-09-1102 | 39-00-0071 | 39-00-0292 | | | | | | |
| | 02-09-3101 | 39-00-0135 | 39-00-0293 | | | | | | |
| | 02-09-3103 | 39-00-0281 | 50-29-1617 | | | | | | |
| | 02-09-5100 | 39-00-0282 | | | | | | | |
| 1190 | 02-09-2101 | 02-09-6101 | 39-00-0298 | 14 - 20 | 2.00-0.50 | 1.65-4.06 | .065-.160 | 3.96-5.54 | .156-.218 |
| | 02-09-4101 | 39-00-0105 | 39-00-0300 | | | | | | |
| | 02-09-6100 | 39-00-0296 | | | | | | | |
| 1450 | 02-09-2301 | 02-09-2302 | 02-09-2306 | 14 - 20 | 2.00-0.50 | 1.65-4.06 | .065-.160 | 3.96-5.54 | .156-.218 |
| 1451 | 02-09-1301 | 02-09-1302 | | 14 - 20 | 2.00-0.50 | 1.65-4.06 | .065-.160 | 3.96-5.54 | .156-.218 |
| 4550 | 02-09-1205 | 02-09-5169 | 50-29-1618 | 14 - 20 | 2.00-0.50 | 1.65-4.06 | .065-.160 | 3.96-5.54 | .156-.218 |
| 6310 | 02-09-1209 | 02-09-5205 | | 14 - 20 | 2.00-0.50 | 1.65-4.06 | .065-.160 | 3.96-5.54 | .156-.218 |
| Specifications shown are for entire range of the terminal. This applicator is for 1.65-2.79mm (.065-.110") wire insulation diameters. For wire insulation diameter 2.54-4.06mm (.110-.160"), applicator 63892-7300 is recommended. | | | | | | | | | |

DEFINITION OF TERMS



Terminal is to be centrally located between the two (2) cut-off tab edges by one half of the total cut-off tab tolerance. This illustration is a generic terminal representation and not an exact image of any terminal listed in the scope.

CRIMP SPECIFICATIONS

| Terminal Series No. | Bell mouth | | Cut-off Tab | | Conductor Brush | |
|---------------------|------------|-----|-------------|-----------|-----------------|-----|
| | mm | In. | mm | In. | mm | In. |
| 1189 | | | 3.53-3.69 | .139-.145 | | |
| 1190 | | | 3.53-3.69 | .139-.145 | | |
| 1450 | | | 3.53-3.69 | .139-.145 | | |
| 1451 | | | 3.53-3.69 | .139-.145 | | |
| 4550 | | | 3.53-3.69 | .139-.145 | | |
| 6310 | | | 3.53-3.69 | .139-.145 | | |

| Terminal Series No. | Bend up | Bend down | Twist | Roll | Punch Width (Ref) | | | | Seam |
|---------------------|---------|-----------|-------|------|-------------------|------|------------|------|---|
| | | | | | Conductor | | Insulation | | |
| | Degree | Degree | mm | In. | mm | In. | | | |
| 1189 | | | | | 230 | .091 | 3.10 | .122 | Seam shall not be open and no wire allowed out of the crimping area |
| 1190 | | | | | 230 | .091 | 3.10 | .122 | |
| 1450 | | | | | 230 | .091 | 3.10 | .122 | |
| 1451 | | | | | 230 | .091 | 3.10 | .122 | |
| 4550 | | | | | 230 | .091 | 3.10 | .122 | |
| 6310 | | | | | 230 | .091 | 3.10 | .122 | |

NOTE: Some of the specifications in these charts above are intentionally left blank due to the fact that the information does not currently exist.

After crimping, the conductor profile should measure the following.

| Terminal Series No. | Wire Size | | Conductor | | | | Pull Force Minimum | |
|---------------------|-----------|-----------------|--------------|-----------|-------------------|-----|--------------------|------|
| | | | Crimp Height | | Crimp Width (REF) | | | |
| | AWG | mm ² | mm | In. | mm | In. | N | Lb. |
| 1189 | 14 | 2.00 | 1.45-1.55 | .057-.061 | | | 177.9 | 40.0 |
| | 16 | 1.30 | 1.35-1.45 | .053-.057 | | | 155.6 | 35.0 |
| | 18 | 0.80 | 1.27-1.35 | .050-.053 | | | 133.4 | 30.0 |
| | 20 | 0.50 | 1.22-1.32 | .048-.052 | | | 80.0 | 18.0 |
| 1190 | 14 | 2.00 | 1.45-1.55 | .057-.061 | | | 177.9 | 40.0 |
| | 16 | 1.30 | 1.35-1.45 | .053-.057 | | | 155.6 | 35.0 |
| | 18 | 0.80 | 1.27-1.35 | .050-.053 | | | 133.4 | 30.0 |
| | 20 | 0.50 | 1.22-1.32 | .048-.052 | | | 80.0 | 18.0 |
| 1450 | 14 | 2.00 | 1.45-1.55 | .057-.061 | | | 177.9 | 40.0 |
| | 16 | 1.30 | 1.35-1.45 | .053-.057 | | | 155.6 | 35.0 |
| | 18 | 0.80 | 1.27-1.35 | .050-.053 | | | 133.4 | 30.0 |
| | 20 | 0.50 | 1.22-1.32 | .048-.052 | | | 80.0 | 18.0 |
| 1451 | 14 | 2.00 | 1.45-1.55 | .057-.061 | | | 177.9 | 40.0 |
| | 16 | 1.30 | 1.35-1.45 | .053-.057 | | | 155.6 | 35.0 |
| | 18 | 0.80 | 1.27-1.35 | .050-.053 | | | 133.4 | 30.0 |
| | 20 | 0.50 | 1.22-1.32 | .048-.052 | | | 80.0 | 18.0 |
| 4550 | 14 | 2.00 | 1.45-1.55 | .057-.061 | | | 177.9 | 40.0 |
| | 16 | 1.30 | 1.35-1.45 | .053-.057 | | | 155.6 | 35.0 |
| | 18 | 0.80 | 1.27-1.35 | .050-.053 | | | 133.4 | 30.0 |
| | 20 | 0.50 | 1.22-1.32 | .048-.052 | | | 80.0 | 18.0 |
| 6310 | 14 | 2.00 | 1.45-1.55 | .057-.061 | | | 177.9 | 40.0 |
| | 16 | 1.30 | 1.35-1.45 | .053-.057 | | | 155.6 | 35.0 |
| | 18 | 0.80 | 1.27-1.35 | .050-.053 | | | 133.4 | 30.0 |
| | 20 | 0.50 | 1.22-1.32 | .048-.052 | | | 80.0 | 18.0 |

Pull Force should be measured with no influence from the insulation crimp.

The above specifications are guidelines to an optimum crimp.

PARTS LIST

| Mini-Mac Applicator 63892-7100 | | | | |
|--|-----------------|------------------------|--------------------------------|-----------------|
| Item | Order No | Engineering No. | Description | Quantity |
| Perishable Tooling | | | | |
| | 63892-7170 | 63892-7170 | Tool Kit (All "Y" Items) | REF |
| 1 | 11-18-4805 | 60800A101 | Conductor Punch | 1 Y |
| 2 | 11-18-4872 | 60800A127 | Conductor Anvil | 1 Y |
| 3 | 11-18-4873 | 60800A128 | Insulation Punch | 1 Y |
| 4 | 11-18-4813 | 60800A109 | Insulation Anvil | 1 Y |
| 5 | 11-18-4817 | 60800A113 | Cut-Off Punch | 1 Y |
| 6 | 11-18-4808 | 60800A104 | Rear Cut-off Die | 1 Y |
| Other Components | | | | |
| 7 | 11-18-4809 | 60800A105 | Tooling Washer | 1 |
| 8 | 11-18-4810 | 60800A106 | Rear Block | 1 |
| 9 | 11-18-4811 | 60800A107 | Compression Spring | 1 |
| 10 | 11-18-4814 | 60800A110 | Plunger | 1 |
| 11 | 11-18-4815 | 60800A111 | Guide Plate | 1 |
| 12 | 11-18-4816 | 60800A112 | Terminal Drag Plate | 1 |
| 13 | 11-18-4818 | 60800A114 | Mounting Block | 1 |
| 14 | 11-18-4829 | 60800A125 | Wire Stop | 1 |
| 15 | 11-18-4848 | 60800A123 | Spring Retainer | 1 |
| 16 | 11-18-4849 | 60800A124 | Wire Hold Down Spring | 1 |
| 17 | 11-18-4894 | 60800A129 | Knockout Blade | 1 |
| 18 | 11-18-5005 | 60800D112 | Hold Down Block | 1 |
| 19 | 11-18-5006 | 60800D113 | Spring Retainer | 1 |
| 20 | 11-18-5007 | 60800D114 | Compression Spring (Hold Down) | 1 |
| 21 | 11-18-5008 | 60800D115 | Hold Down Plunger | 1 |
| 22 | 11-18-5015 | 60805A122 | Front Cover | 1 |
| 23 | 63803-5120 | 63803-5120 | Conductor Bushing | 1 |
| Frame | | | | |
| 24 | 63801-3201 | 63801-3201 | Top | 1 |
| 25 | 63801-3282 | 63801-3282 | Base | 1 |
| 26 | 63801-6550 | 63801-6550 | Track | 1 |
| Hardware | | | | |
| 27 | N/A | N/A | M3 by 6 Long SHCS | 6** |
| 28 | N/A | N/A | M3 by 25 Long SHCS | 2** |
| 29 | N/A | N/A | M4 by 6 Long BHCS | 2** |
| 30 | N/A | N/A | M4 by 8 Long BHCS | 2** |
| 31 | N/A | N/A | M4 by 10 Long BHCS | 2** |
| 32 | N/A | N/A | M4 by 20 Long SHCS | 2** |
| 33 | N/A | N/A | M5 by 10 Long SHCS | 1** |
| 34 | N/A | N/A | M8 by 20 Long BHCS | 1** |
| ** Available from an industrial supply company such as MSC (1-800-645-7270). | | | | |

Assembly Drawing

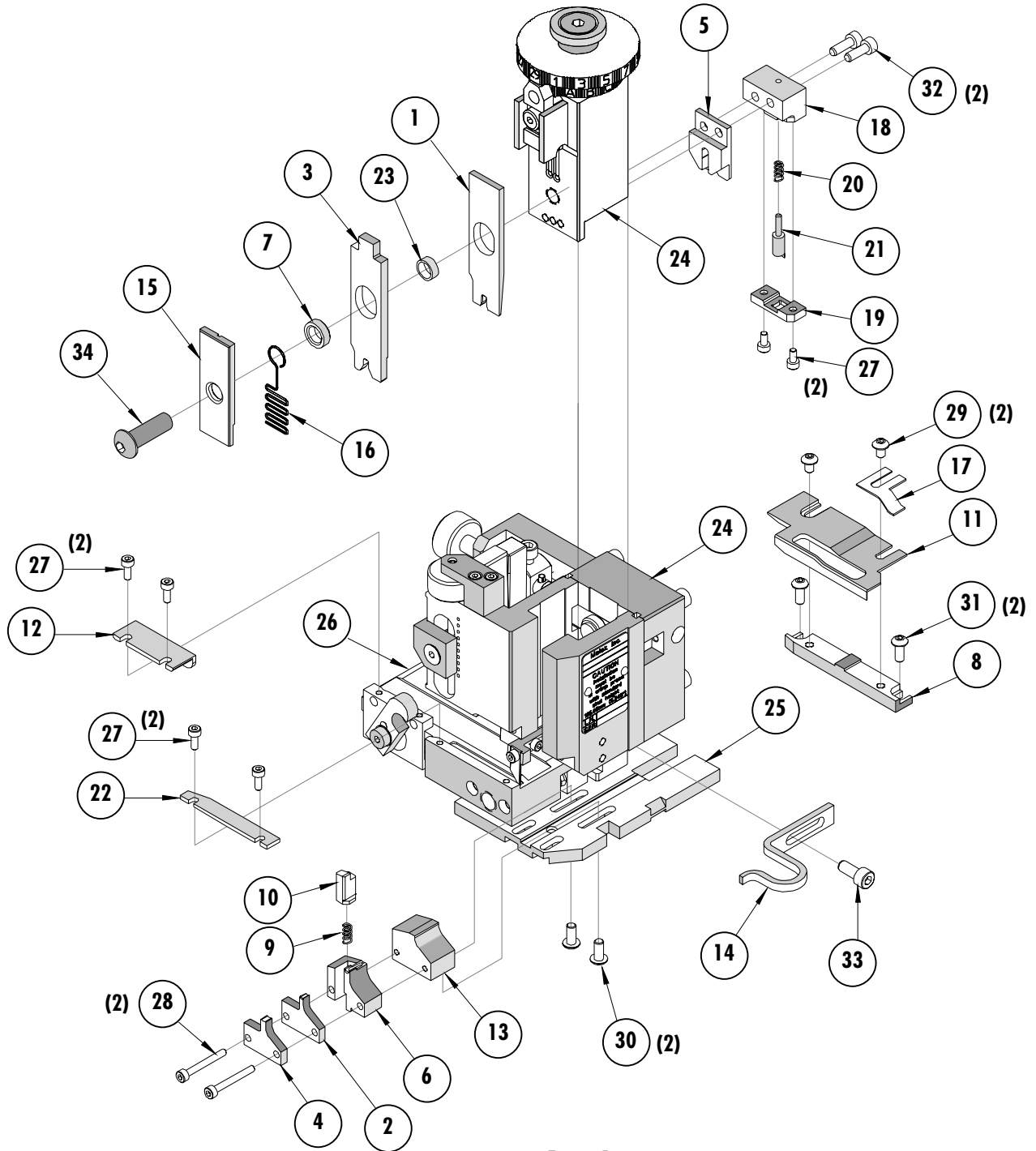


Figure 1

NOTES

1. Molex recommends an extra perishable tooling kit be maintained at your facility.
2. Verify tooling alignment by manually cycling the press and applicator before crimping under power. Check that all screws are tight.
3. Slugs, terminals, dirt, and oil should be kept clear of work area.
4. Wear safety glasses at all times.
5. For recommended maintenance refer to the Mini-Mac Manual.

CAUTION: This applicator should only be used in a press with a shut height of 135.80 mm (5.346"). Tooling damage could result at a lower setting

CAUTION: To prevent injury, never operate this applicator without the guards supplied with the press or wire-processing machine in place. Reference the press or wire processing manufacturer's instruction manual.

CAUTION: Molex crimp specifications are valid only when used with Molex terminals, applicators and tooling.

Contact Information

For more information on Molex application tooling please contact Molex at 1-800-786-6539.

Americas Headquarters

Lisle, Illinois 60532 U.S.A.
1-800-78MOLEX
amerinfo@molex.com

Far East North Headquarters

Yamato, Kanagawa, Japan
81-462-65-2324
feninfo@molex.com

Far East South Headquarters

Jurong, Singapore
65-6-268-6868
fesinfo@molex.com

European Headquarters

Munich, Germany
49-89-413092-0
eurinfo@molex.com

Corporate Headquarters

2222 Wellington Ct.
Lisle, IL 60532 U.S.A.
630-969-4550
Fax: 630-969-1352

Visit our Web site at <http://www.molex.com>