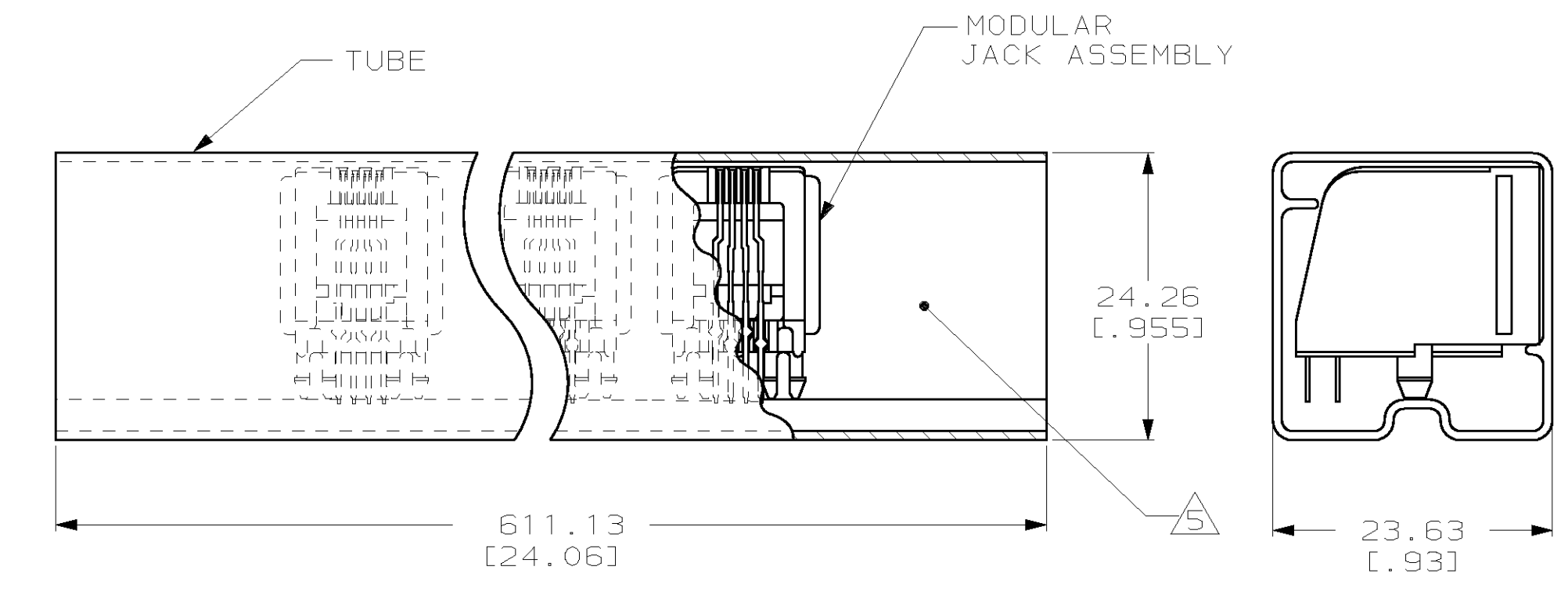
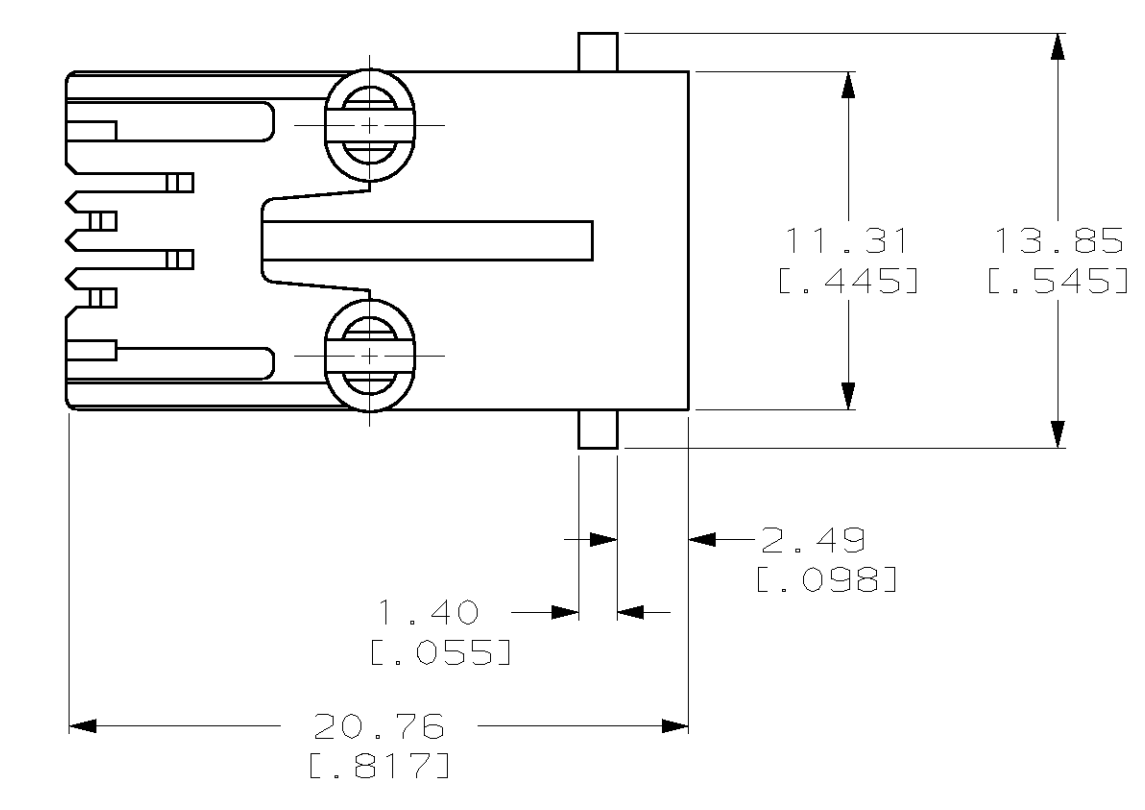
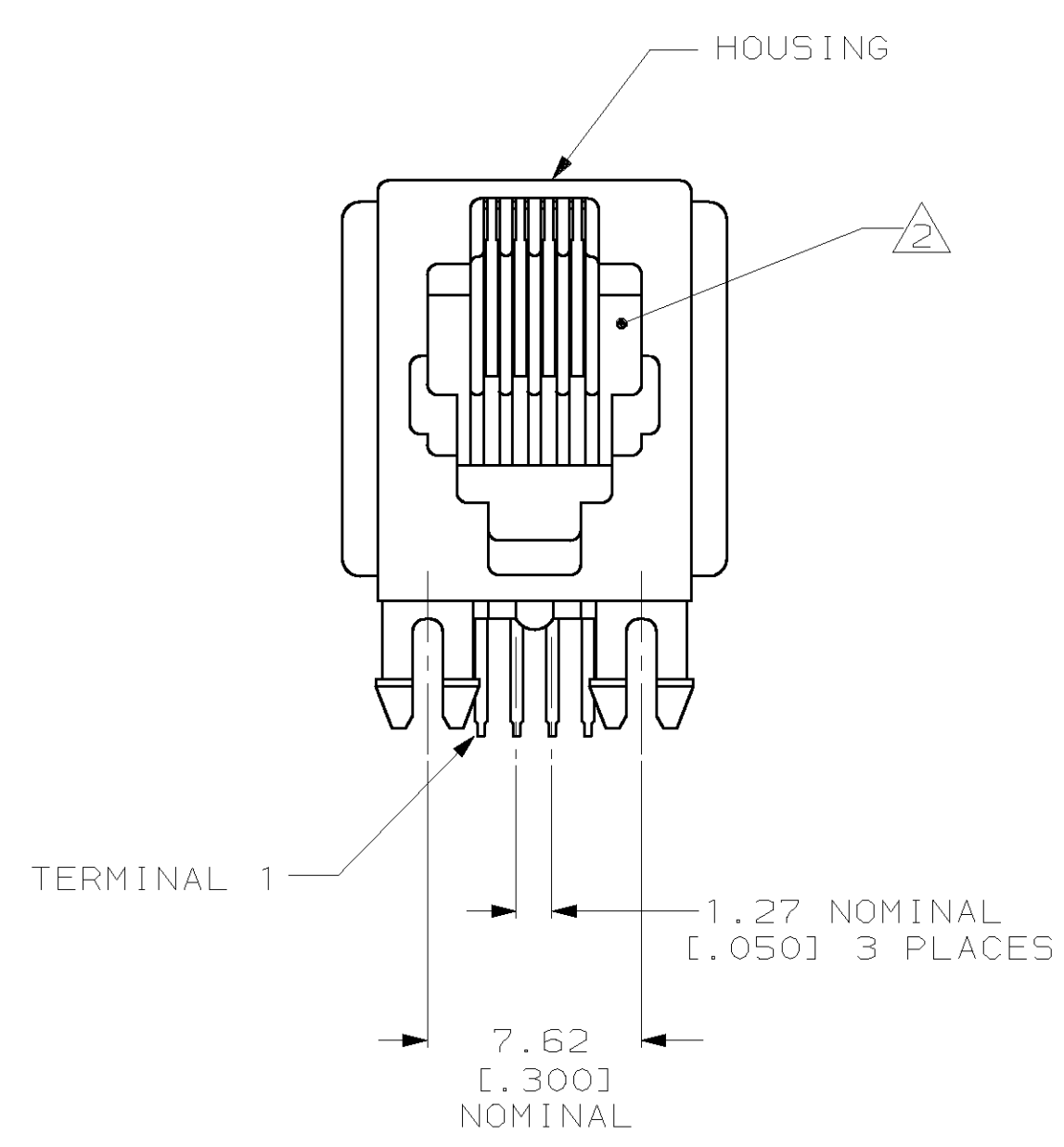
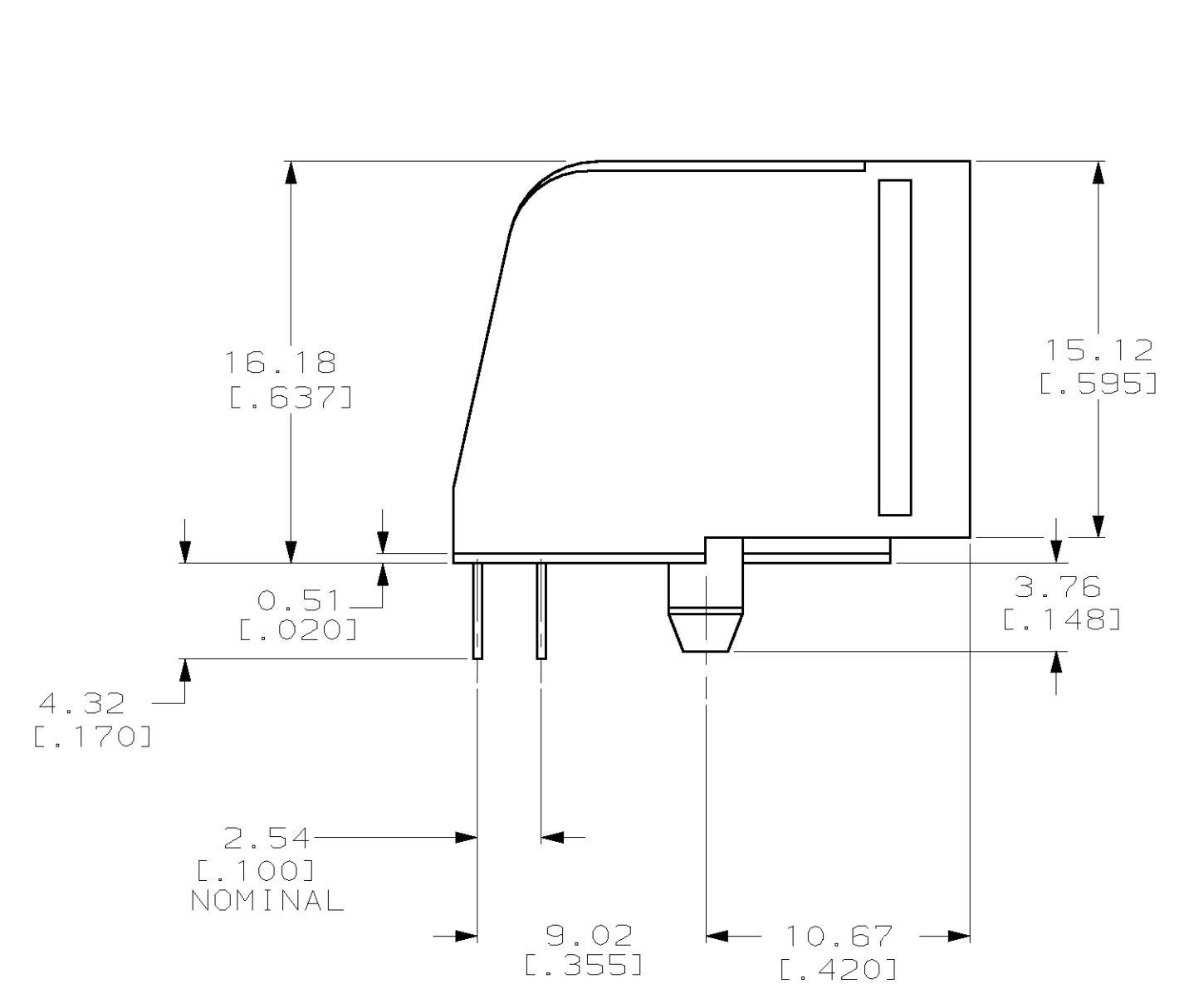
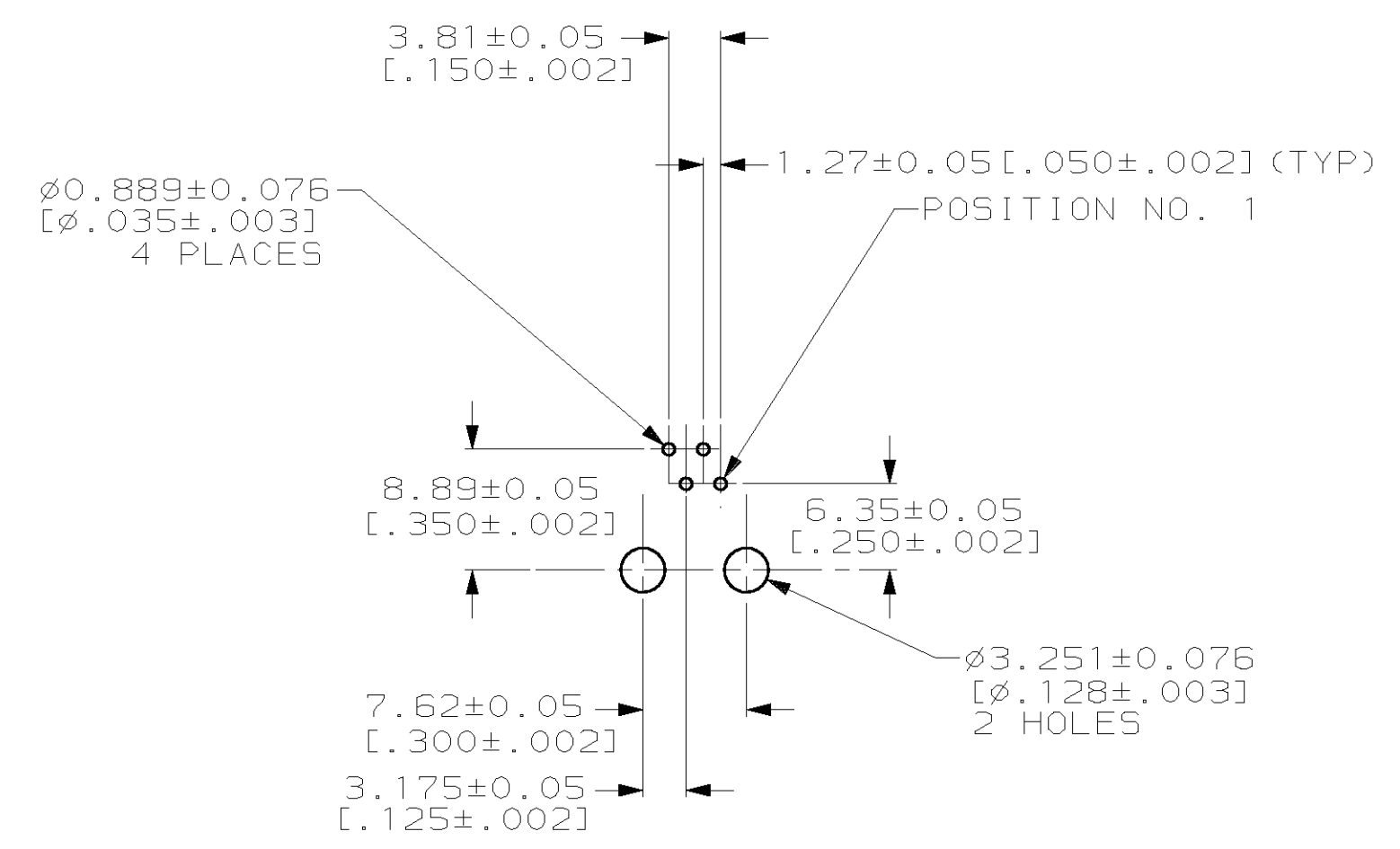


LOC	DIST	REV	DESCRIPTION	DATE	DWN	APVD
AA	22	S	SUPERSEDED: -3 & -4; EC OUF0-0006-01	20SEP01	DL	LLV

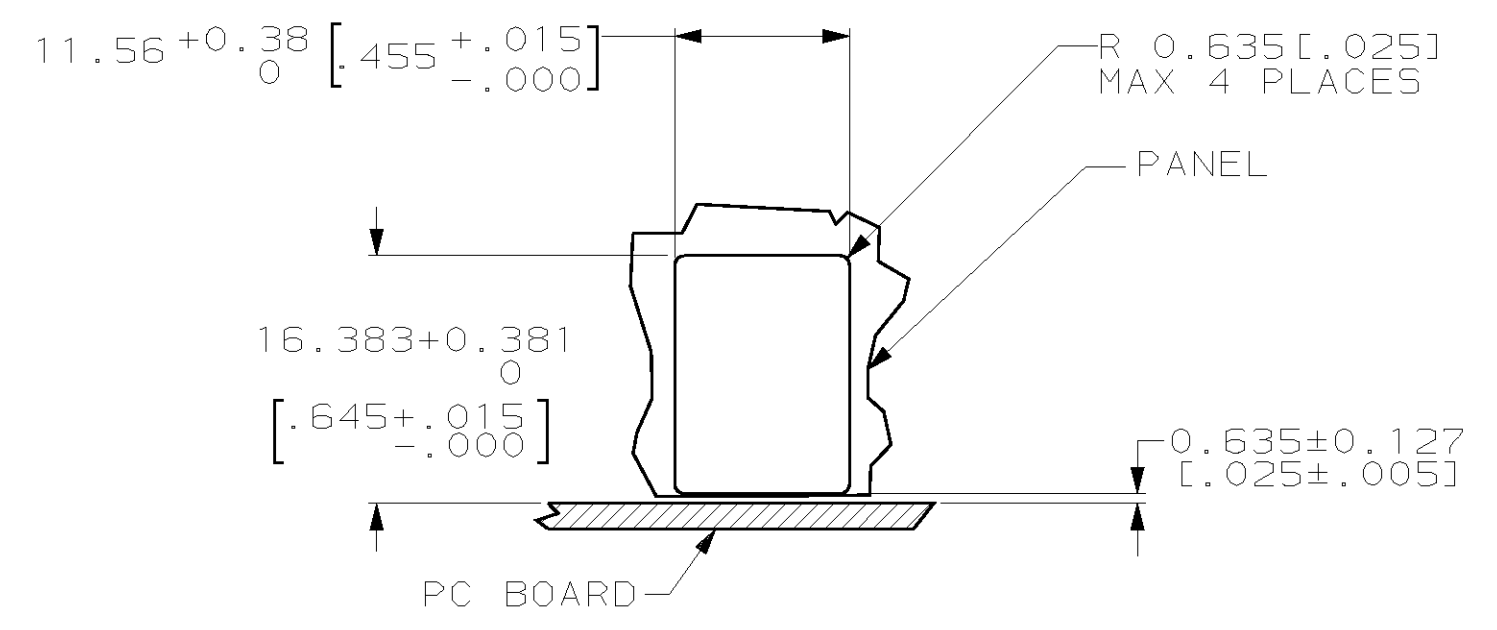
- ① MATERIAL: HOUSING - POLYESTER, SEE TABLE FOR COLOR.
 TERMINAL - 0.35[.0138] THICK PHOS-BRONZE PLATED WITH 1.27µm [.000050] THICK HARD GOLD IN LOCALIZED GOLD PLATE AREA AND 2.03µm [.000080] THICK TIN LEAD IN SOLDER AREA OVER 1.27µm [.000050] THICK NICKEL UNDERPLATE.
- ② CAVITY CONFORMS TO FCC RULES AND REGULATIONS PART 68 AND REA BULLETIN 345-81 PE 76 SPECIFICATION FOR MODULAR TELEPHONE HARDWARE.
- ③ DIMENSION ARE MAXIMUM UNLESS OTHERWISE SPECIFIED.
- ④ BULK PACKAGED IN A TRAY.
- ⑤ PACKAGED 42 ASSEMBLIES PER TUBE WITH BOTH ENDS CLOSED, SEE DETAIL "A".
- ⑥ VIEW SHOWN IS CIRCUIT SIDE (NON-COMPONENT) SIDE OF BOARD.



DETAIL A
SCALE 2:1



SUGGESTED PRINTED
CIRCUIT BOARD LAYOUT
SCALE 2:1



SUGGESTED PANEL CUTOUT
SCALE 2:1

REV	DESCRIPTION	COLOR	CONTACTS	PART NUMBER
⑤	SUPERSEDED BY 520249-2	BLACK	4	520249-4
④	SUPERSEDED BY 520249-2	DEC GRAY	4	520249-3
		BLACK	4	520249-2
	PACKAGED	COLOR	CONTACTS	PART NUMBER

<small>THIS DRAWING IS A CONTROLLED DOCUMENT FOR AMP INCORPORATED. IT IS SUBJECT TO CHANGE AND THE CONTROLLING ENGINEERING DEPARTMENT SHALL BE CONTACTED FOR THE LATEST REVISION.</small>		DWN M. MARE	3-27-84	AMP Incorporated Harrisburg, PA 17105-3608
DIMENSIONS mm [INCHES]		CHK T. CANTY	9-25-84	
TOLERANCES UNLESS OTHERWISE SPECIFIED: 0 PLC ±.015 1 PLC ±.010 2 PLC ±.008 3 PLC ±.005 4 PLC ±.003 ANGLES ±.005 FINISH ±.005		APVD L. WOLFF	10-4-84	NAME PRINTED CIRCUIT BOARD MODULAR JACK ASSEMBLY, SIDE ENTRY, 4 POSITION, FLANGELESS, WITH PANEL STOPS
MATERIAL HOUSING: POLYESTER TERMINAL: PHOS-BRONZE PLATED WITH HARD GOLD AND TIN LEAD OVER NICKEL UNDERPLATE		PRODUCT SPEC 108-2024 APPLICATION SPEC 114-2048	SIZE A1	CAGE CODE 00779 DRAWING NO C-520249
CUSTOMER DRAWING		SCALE 4:1		SHEET 1 OF 1 REV 5