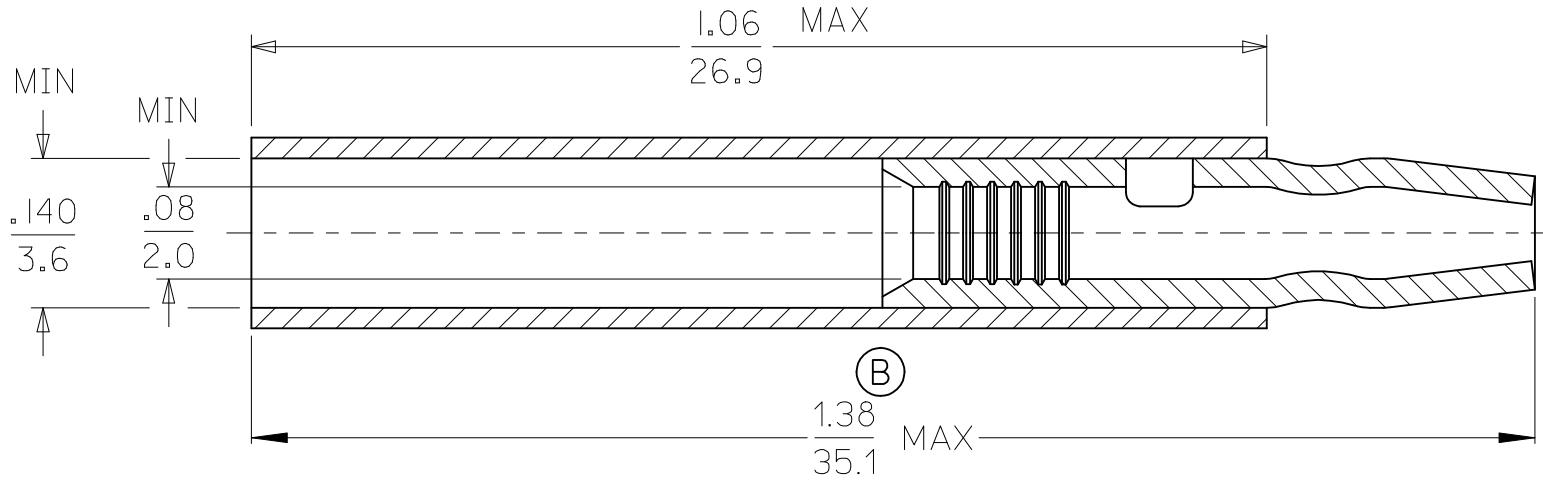


6	5	4	3	2	1
MATERIAL NO.	ENGINEERING P/N	DESCRIPTION:			
190340004	B-789	LOOSE PIECE BLUE INSULATION			



- NOTES:
1. MATERIAL: COPPER.
 2. PLATING: ELECTRO-TIN.
 3. INSULATION: NYLON
 4. PART IS ROHS COMPLIANT.

(B)

CUSTOMER DRAWING

MAX LENGTH WAS 1.34 EC NO: WNA2008-0291 DRWN:ETHRODAHL 2008/09/23 CHKD:JMACNEIL 2008/09/23 APPR:JMACNEIL 2008/09/24	QUALITY SYMBOLS ▼=0 ◻=0	GENERAL TOLERANCES (UNLESS SPECIFIED)		DIMENSION STYLE	SCALE	DESIGN UNITS	THIRD ANGLE PROJECTION		
			mm	INCH	IN/MM	---	INCH		
		4 PLACES	± ---	± ---	DRAWN BY	DATE	TITLE .156 MALE BULLET PLUG 16-14 AWG NYLAKRIMP BLUE		
		3 PLACES	± ---	± .005	JHACKNEY	1999/12/03			
		2 PLACES	± 0.13	± .01	CHECKED BY	DATE	MOLEX INCORPORATED		
1 PLACE	± 0.25	± ---	RDEROSS	1999/12/03					
	ANGULAR ± ---°		APPROVED BY	DATE	MATERIAL NO.	DOCUMENT NO.	SHEET NO.		
	DRAFT WHERE APPLICABLE MUST REMAIN WITHIN DIMENSIONS		RDEROSS	1999/12/03	SEE CHART	SD-19034-002	1 OF 1		
			SIZE	THIS DRAWING CONTAINS INFORMATION THAT IS PROPRIETARY TO MOLEX INCORPORATED AND SHOULD NOT BE USED WITHOUT WRITTEN PERMISSION					
			A						