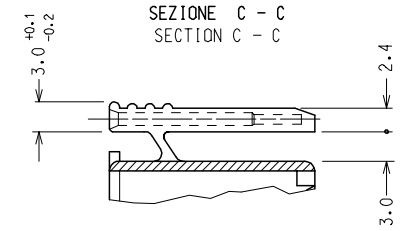
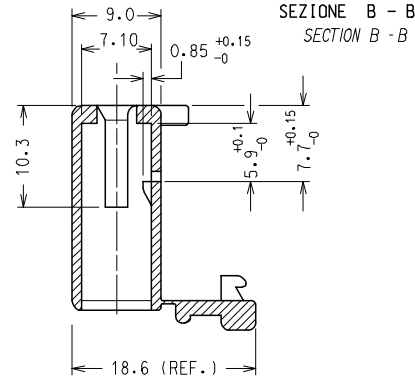
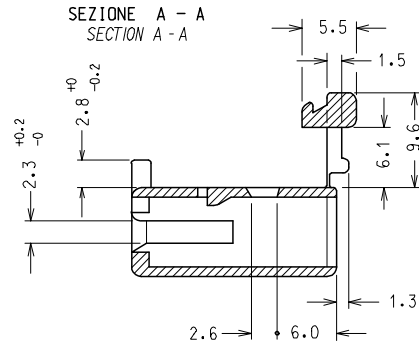
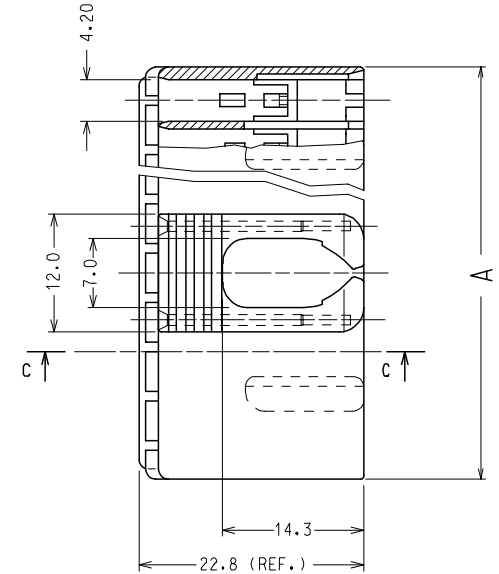
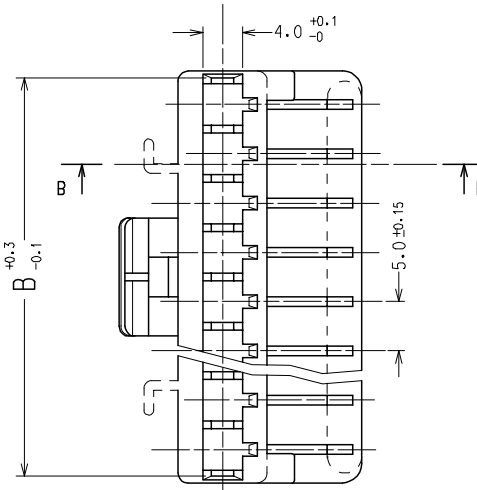
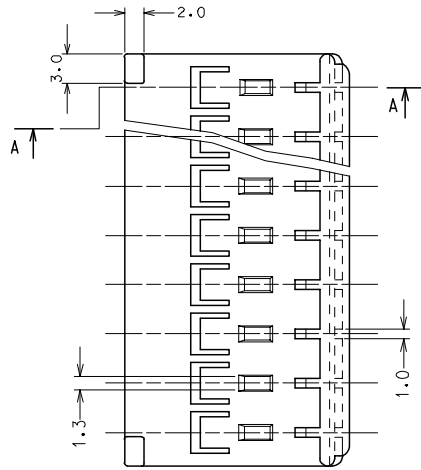
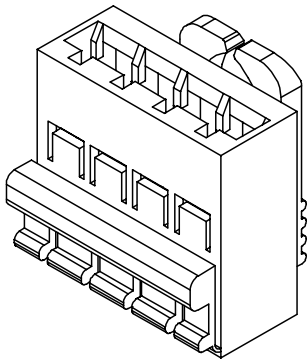


10 9 8 7 6 5 4 3 2 1



VISTA DELL'HOUSING  
CON SECONDARY LOCK CHIUSO  
VIEW OF THE HOUSING WITH  
THE SEC.LOCK IN LOCKED POSITION



**NOTE:**

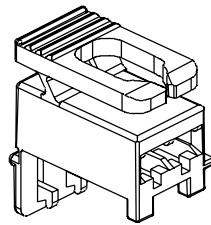
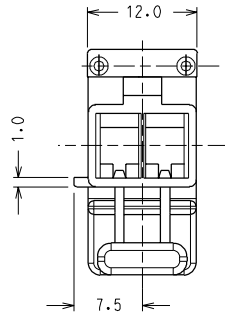
- 1) MATERIALE/ MATERIAL: PA 66 NATURALE/ PA 66 NATURAL COLOR
- 2) PER CODICI, POLARIZZAZIONI, MARCATURE E PACKAGING VEDERE FOGLI SEGUENTI FOR PART NOS, POLARIZATIONS, MARKINGS AND PACKAGING SEE THE FOLLOWING SHEETS
- 3) LE DIMENSIONI VANNO MISURATE CON CORPI STABILIZZATI SECONDO NG 2301 (AUMENTO IN PESO DEL 2.7 %) PARTS SHALL BE DIMENSIONALLY CHECKED AFTER ATTAINING EQUILIBRIUM CONDITIONS E.G. 2.7 % INCREASE IN WEIGHT FOR HUMIDITY ABSORPTION FROM DRY STATUS
- 4) CARATTERISTICHE SECONDO PS 94509 PRODUCT CHARACTERISTICS ACCORDING TO PS 94509 E
- 5) VEDERE FOGLIO 10/10 PER INFORMAZIONI SULLA CONFEZIONE SEE SHEET 10/10 FOR INFORMATION REGARDING THE PACKAGING

| N.° VIE<br>CKT. | 2    | 3    | 4    | 5    | 6    | 7    | 8    |
|-----------------|------|------|------|------|------|------|------|
| A               | 11.8 | 16.8 | 21.8 | 26.8 | 31.8 | 36.8 | 41.8 |
| B               | 10.4 | 15.4 | 20.4 | 25.4 | 30.4 | 35.4 | 40.4 |

|  |                               |                                       |       |   |                              |                         |                        |  |
|--|-------------------------------|---------------------------------------|-------|---|------------------------------|-------------------------|------------------------|--|
| EC NO: Z2005-0030<br>DRAWN: FGOTTARD 2004/09/23<br>CHKD: RSANDANO 2004/09/23<br>APPR: GZUIN 2004/09/23<br>REV B4 | QUALITY SYMBOLS<br>▽=0<br>▽=0 | GENERAL TOLERANCES (UNLESS SPECIFIED) |       | DIMENSION STYLE<br>MM ONLY  | SCALE<br>2:1                 | DESIGN UNITS<br>METRIC  | FIRST ANGLE PROJECTION |  |
|  |                               |                                       |       | mm  | INCH                         | DRAWN BY<br>SBARBIER    | DATE<br>1995/12/20     | TITLE<br>HOUSING FOR STRAIGHT FORK TERMINAL (WITHOUT STEEL PINS) |
|  |                               |                                       |       | 4 PLACES ± ---  | ± ---                        | CHECKED BY              | DATE                   | MOLEX INCORPORATED   |
|  |                               |                                       |       | 3 PLACES ± ---  | ± ---                        | APPROVED BY<br>MPREVIAT | DATE<br>1995/12/20     |  |
|  |                               | 2 PLACES ± 0.1                        | ± --- | MATERIAL NO.  | DOCUMENT NO.<br>SD-94509-009 | SHEET NO.<br>1 OF 10    |                        |  |
|  |                               | 1 PLACE ± 0.2                         | ± --- | DRAFT WHERE APPLICABLE MUST REMAIN WITHIN DIMENSIONS  |                              | SEE CHART               |                        |  |
|  |                               | ANGULAR ± 2 °                         |       | THIS DRAWING CONTAINS INFORMATION THAT IS PROPRIETARY TO MOLEX INCORPORATED AND SHOULD NOT BE USED WITHOUT WRITTEN PERMISSION |                              |                         |                        |  |

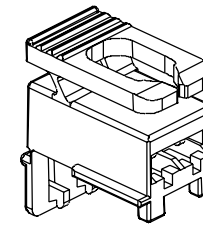
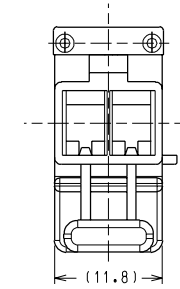
9 8 7 6 5 4 3 2 1

# HOUSINGS A 2 VIE: / 2 CKT HOUSINGS:



POLARIZZAZIONE TIPO "A"  
TYPE "A" POLARIZATION

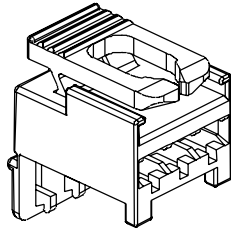
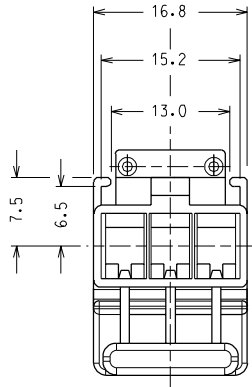
|         |  |            |
|---------|--|------------|
| N.° VIE | CODICE HOUSING/TIPO POLARIZZAZIONE<br>HOUSING P/N / POLARIZATION |            |
| CKT No. | A  | B          |
| 2       | 94509-5210   | 94509-5220 |



POLARIZZAZIONE TIPO "B"  
TYPE "B" POLARIZATION

|  |   |  |  |   |  |   |     |            |
|--|---|--|--|---|--|---|-----|------------|
| EC NO. Z9-139<br>DRWNS. BARBIERI 26-03-99<br>CHK: S. SORATO 29-03-99<br>APPR: R. MARTUCCI 29-03-99 | QUALITY SYMBOLS<br>MAJOR M =<br>SIGNIF. S =<br>CRITICAL C = | GENERAL TOLERANCES:<br>(UNLESS SPECIFIED)  |  | SCALE 2:1                               | DESIGN UNITS<br><input checked="" type="checkbox"/> mm <input type="checkbox"/> INCH   | DIMENSIONS:<br><input type="checkbox"/> mm <input type="checkbox"/> INCH <input type="checkbox"/> mm <input checked="" type="checkbox"/> ONLY | SHT | REV        |
|  |   | 4 PLACES ±0.1                              | ±0.1   | DRAWN BY & DATE<br>S. BARBIERI 20-12-95 | FIRST ANGLE PROJECTION<br><input type="checkbox"/> mm <input type="checkbox"/> INCH  |   |     |            |
| 3 PLACES ±0.2  | ±0.2  | CHECKED BY & DATE                          | TITLE: HOUSING PER TERM. A FORCELLA DIRITTO<br>(SENZA PINS IN ACCIAIO)<br>HOUSING FOR STRAIGHT FORK TERMINAL<br>(WITHOUT STEEL PINS) |   |  |   |     |            |
| 2 PLACES ±0.1  | ±0.1  | APPROVED BY & DATE<br>M. PREVIATO 20-12-95 |  | MATERIAL NO.<br>SEE TABLES              | DRAWING NO.<br>SD-94509-009  | SHEET NO.<br>2/10   |     |            |
| 1 PLACE ±0.2   | ±0.2  | CAD FILENAME<br>94509009.S01               |  |   |  |   |     |            |
| B1   | REV   | ANGULAR: ± 2°                              | DRAFT WHERE APPLICABLE MUST REMAIN WITHIN DIMENSIONS   |   | THIS DRAWING CONTAINS INFORMATION THAT IS PROPRIETARY TO MOLEX INCORPORATED AND SHOULD NOT BE USED WITHOUT WRITTEN PERMISSION. |   |     | SIZE<br>A3 |

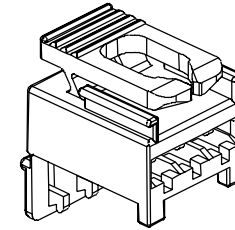
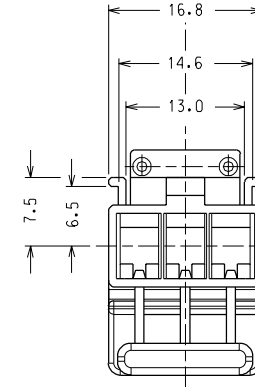
# HOUSINGS A 3 VIE: / 3 CKT HOUSINGS:



POLARIZZAZIONE TIPO "A"  
TYPE "A" POLARIZATION

|            |  |            |
|------------|--|------------|
| N.°<br>VIE | CODICE HOUSING/TIPO POLARIZZAZIONE<br>HOUSING P/N / POLARIZATION |            |
|            | A  | B          |
| CKT<br>No. | 3  | 3          |
|            | 94509-9310 *   | 94509-9320 |

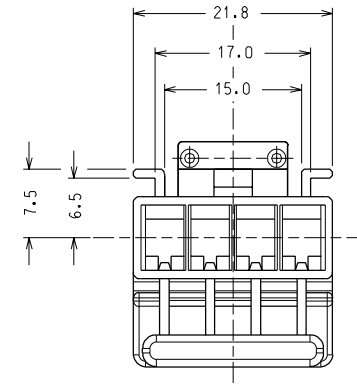
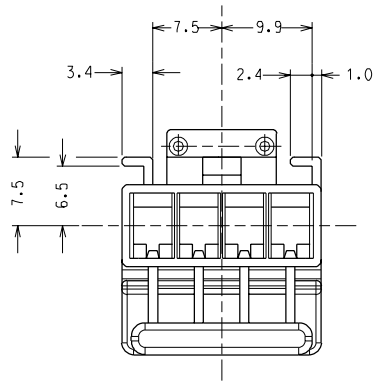
\* VERSIONE NON ATTEZZATA  
NOT TOOLED



POLARIZZAZIONE TIPO "B"  
TYPE "B" POLARIZATION

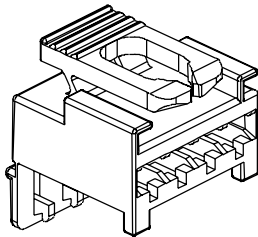
|  |   |  |      |   |  |   |                             |                      |
|--|---|--|------|---|--|---|-----------------------------|----------------------|
| EC NO. Z9-139<br>DRWNS. BARBIERI 26-03-99<br>CHK: S. SORATO 29-03-99<br>APPR: R. MARTUCCI 29-03-99 | QUALITY SYMBOLS<br>MAJOR M =<br>SIGNIF. S =<br>CRITICAL C = | GENERAL TOLERANCES:<br>(UNLESS SPECIFIED)  |      | SCALE 2:1                               | DESIGN UNITS<br><input checked="" type="checkbox"/> mm <input type="checkbox"/> INCH | DIMENSIONS:<br><input type="checkbox"/> mm <input type="checkbox"/> INCH <input type="checkbox"/> mm <input checked="" type="checkbox"/> ONLY | SHT                         | REV                  |
|  |   | 4 PLACES ±0.1  | ±0.1 | DRAWN BY & DATE<br>S. BARBIERI 20-12-95 | FIRST ANGLE PROJECTION   | TITLE: HOUSING PER TERM. A FORCELLA DIRITTO<br>(SENZA PINS IN ACCIAIO)<br>HOUSING FOR STRAIGHT FORK TERMINAL<br>(WITHOUT STEEL PINS)          |                             | REVISION ON CAD ONLY |
| B1   | REV   | 3 PLACES ±0.2  | ±0.2 | CHECKED BY & DATE                       | APPROVED BY & DATE<br>M. PREVIATO 20-12-95   | MATERIAL NO.<br>SEE TABLES  | DRAWING NO.<br>SD-94509-009 | SHEET NO.<br>3/10    |
|  |   | 2 PLACES ±0.1  | ±0.1 | ANGULAR: ± 2°                           | CAD FILENAME<br>94509009.S02   |   |                             |                      |
| DRAFT WHERE APPLICABLE MUST REMAIN WITHIN DIMENSIONS   |   | THIS DRAWING CONTAINS INFORMATION THAT IS PROPRIETARY TO MOLEX INCORPORATED AND SHOULD NOT BE USED WITHOUT WRITTEN PERMISSION. |      |   |  | SIZE A3   |                             |                      |

# HOUSINGS A 4 VIE: / 4 CKT HOUSINGS:

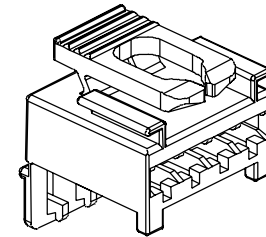


|            |                                    |            |
|------------|------------------------------------|------------|
| N.°<br>VIE | CODICE HOUSING/TIPO POLARIZZAZIONE |            |
|            | HOUSING P/N / POLARIZATION         |            |
| CKT<br>No. | A                                  | B          |
| 4          | 94509-9410 *                       | 94509-9420 |

\* VERSIONE NON ATTREZZATA  
NOT TOOLED



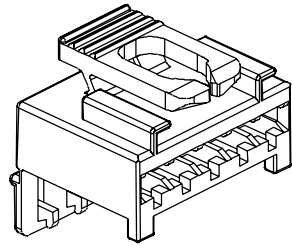
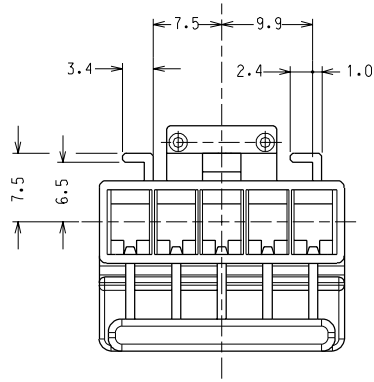
POLARIZZAZIONE TIPO "A"  
TYPE "A" POLARIZATION



POLARIZZAZIONE TIPO "B"  
TYPE "B" POLARIZATION

|  |   |   |      |   |  |   |  |            |
|--|---|---|------|---|--|---|--|------------|
| EC NO. Z9-139<br>DRWNS. BARBIERI 26-03-99<br>CHK: S. SORATO 29-03-99<br>APPR: R. MARTUCCI 29-03-99 | QUALITY SYMBOLS<br>MAJOR M =<br>SIGNIF. S =<br>CRITICAL C = | GENERAL TOLERANCES:<br>(UNLESS SPECIFIED) |      | SCALE 2:1                               | DESIGN UNITS<br><input checked="" type="checkbox"/> mm <input type="checkbox"/> INCH   | DIMENSIONS:<br><input type="checkbox"/> mm <input type="checkbox"/> INCH <input type="checkbox"/> mm <input checked="" type="checkbox"/> ONLY | SHT  | REV        |
|  |   | 4 PLACES ±0.1                             | ±0.2 | DRAWN BY & DATE<br>S. BARBIERI 20-12-95 | TITLE: HOUSING PER TERM. A FORCELLA DIRITTO<br>(SENZA PINS IN ACCIAIO)<br>HOUSING FOR STRAIGHT FORK TERMINAL<br>(WITHOUT STEEL PINS) |   |  |            |
| B1   | REV   | 3 PLACES ±0.1                             | ±0.2 | CHECKED BY & DATE                       | APPROVED BY & DATE<br>M. PREVIATO 20-12-95   |   | MATERIAL NO. DRAWING NO. SHEET NO.<br>SEE TABLES SD-94509-009 4/10   |            |
|  |   | 2 PLACES ±0.1                             | ±0.2 | APPROVED BY & DATE                      | CAD FILENAME<br>94509009.S03   |   | THIS DRAWING CONTAINS INFORMATION THAT IS PROPRIETARY TO MOLEX INCORPORATED AND SHOULD NOT BE USED WITHOUT WRITTEN PERMISSION. |            |
|  |   | 1 PLACE ±0.2                              | ±0.2 | ANGULAR: ± 2°                           |  | DRAFT WHERE APPLICABLE MUST REMAIN WITHIN DIMENSIONS  |  | SIZE<br>A3 |

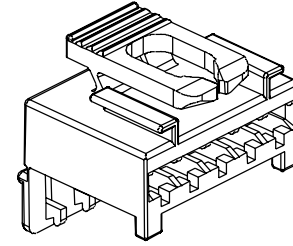
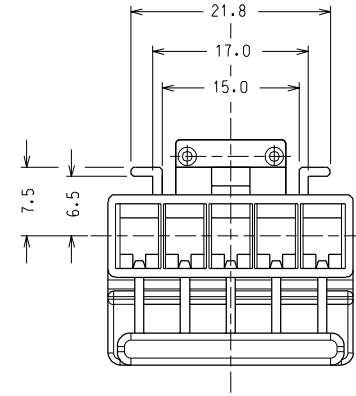
# HOUSINGS A 5 VIE: / 5 CKT HOUSINGS:



POLARIZZAZIONE TIPO "A"  
TYPE "A" POLARIZATION

|         |  |            |
|---------|--|------------|
| N.° VIE | CODICE HOUSING/TIPO POLARIZZAZIONE<br>HOUSING P/N / POLARIZATION |            |
| CKT No. | A  | B          |
| 5       | 94509-9510 *   | 94509-9520 |

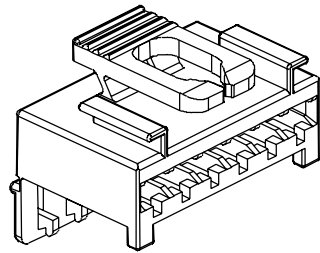
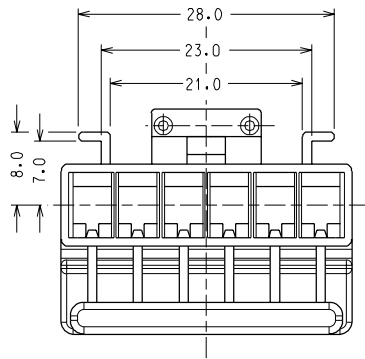
\* VERSIONE NON ATTEZZATA  
NOT TOOLED



POLARIZZAZIONE TIPO "B"  
TYPE "B" POLARIZATION

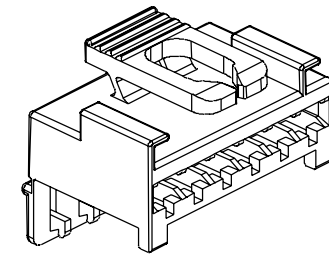
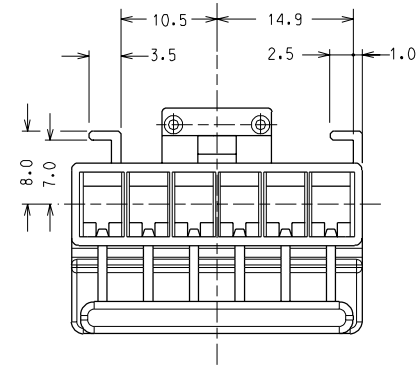
|  |   |  |   |  |  |   |            |              |   |               |                             |  |                            |
|--|---|--|---|--|--|---|------------|--------------|---|---------------|-----------------------------|--|----------------------------|
| EC NO. Z9-139<br>DRWNS. BARBIERI 26-03-99<br>CHK: S. SORATO 29-03-99<br>APPR: R. MARTUCCI 29-03-99 | QUALITY SYMBOLS<br>MAJOR M =<br>SIGNIF. S =<br>CRITICAL C = | GENERAL TOLERANCES:<br>(UNLESS SPECIFIED)            |   | SCALE 2:1  | DESIGN UNITS<br><input checked="" type="checkbox"/> mm <input type="checkbox"/> INCH | DIMENSIONS:<br><input type="checkbox"/> mm <input type="checkbox"/> INCH <input type="checkbox"/> mm <input checked="" type="checkbox"/> ONLY | SHT        | REV          |   |               |                             |  |                            |
|  |   | 4 PLACES ±0.   | ± | 3 PLACES ±0.   | ±  | 2 PLACES ±0.1   | ±          | 1 PLACE ±0.2 | ± | ANGULAR: ± 2° | CAD FILENAME<br>9450909.S04 | TITLE: HOUSING PER TERM. A FORCELLA DIRITTO<br>(SENZA PINS IN ACCIAIO)<br>HOUSING FOR STRAIGHT FORK TERMINAL<br>(WITHOUT STEEL PINS) | MATERIAL NO.<br>SEE TABLES |
| B1   | REV   | DRAFT WHERE APPLICABLE MUST REMAIN WITHIN DIMENSIONS |   | THIS DRAWING CONTAINS INFORMATION THAT IS PROPRIETARY TO MOLEX INCORPORATED AND SHOULD NOT BE USED WITHOUT WRITTEN PERMISSION. |  |   | SIZE<br>A3 |              |   |               |                             |  |                            |

# HOUSINGS A 6 VIE: / 6 CKT HOUSINGS:



POLARIZZAZIONE TIPO "A"  
TYPE "A" POLARIZATION

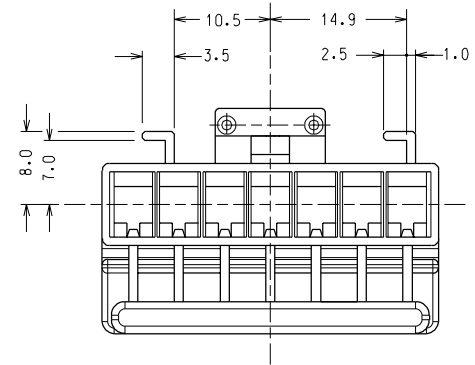
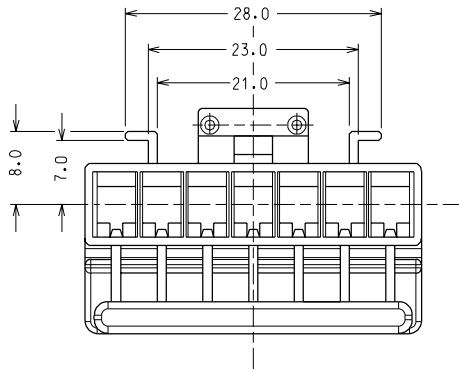
|            |  |            |
|------------|--|------------|
| N.°<br>VIE | CODICE HOUSING/TIPO POLARIZZAZIONE<br>HOUSING P/N / POLARIZATION |            |
| CKT<br>No. | A  | B          |
| 6          | 94509-9610   | 94509-9620 |



POLARIZZAZIONE TIPO "B"  
TYPE "B" POLARIZATION

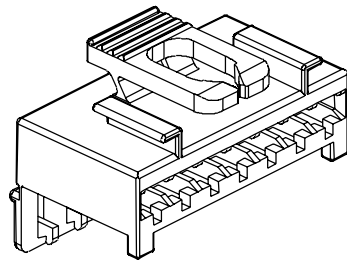
|  |   |   |      |  |  |  |     |                             |
|--|---|---|------|--|--|--|-----|-----------------------------|
| EC NO. Z9-139<br>DRWNS. BARBIERI 26-03-99<br>CHK: S. SORATO 29-03-99<br>APPR: R. MARTUCCI 29-03-99 | QUALITY SYMBOLS<br>MAJOR M =<br>SIGNIF. S =<br>CRITICAL C = | GENERAL TOLERANCES:<br>(UNLESS SPECIFIED) |      | SCALE 2:1  | DESIGN UNITS<br><input checked="" type="checkbox"/> mm <input type="checkbox"/> INCH   | DIMENSIONS:<br><input type="checkbox"/> mm <input type="checkbox"/> INCH <input checked="" type="checkbox"/> mm ONLY | SHT | REV                         |
|  |   | 4 PLACES ±0.1                             | ±0.1 | DRAWN BY & DATE<br>S. BARBIERI 20-12-95  | TITLE: HOUSING PER TERM. A FORCELLA DIRITTO<br>(SENZA PINS IN ACCIAIO)<br>HOUSING FOR STRAIGHT FORK TERMINAL<br>(WITHOUT STEEL PINS) |  |     |                             |
| B1   | REV   | 3 PLACES ±0.2                             | ±0.2 | CHECKED BY & DATE  | APPROVED BY & DATE<br>M. PREVIATO 20-12-95   |  |     |                             |
|  |   | 2 PLACES ±0.1                             | ±0.1 | CAD FILENAME<br>94509009.S05   |  | MATERIAL NO.<br>SEE TABLES   |     | DRAWING NO.<br>SD-94509-009 |
| DRAFT WHERE APPLICABLE MUST REMAIN WITHIN DIMENSIONS   |   | 1 PLACE ±0.2                              | ±0.2 | ANGULAR: ± 2°  |  | MOLEX INCORPORATED   |     | SIZE<br>A3                  |
|  |   |   |      | THIS DRAWING CONTAINS INFORMATION THAT IS PROPRIETARY TO MOLEX INCORPORATED AND SHOULD NOT BE USED WITHOUT WRITTEN PERMISSION. |  |  |     |                             |

# HOUSINGS A 7 VIE: / 7 CKT HOUSINGS:

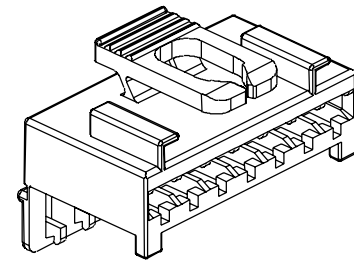


|            |  |              |
|------------|--|--------------|
| N.°<br>VIE | CODICE HOUSING/TIPO POLARIZZAZIONE<br>HOUSING P/N / POLARIZATION |              |
| CKT<br>No. | A  | B            |
| 7          | 94509-9710 *   | 94509-9720 * |

\* VERSIONE NON ATTREZZATA  
NOT TOOLED



POLARIZZAZIONE TIPO "A"  
TYPE "A" POLARIZATION



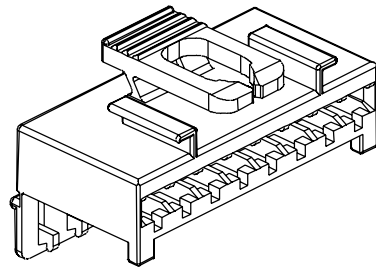
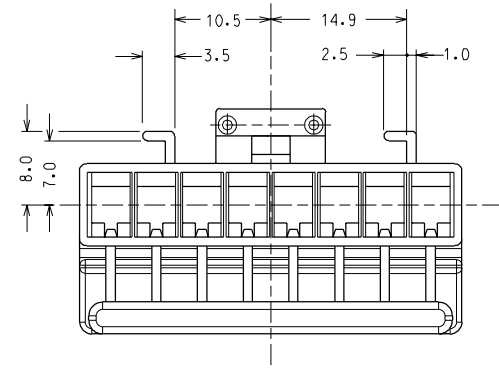
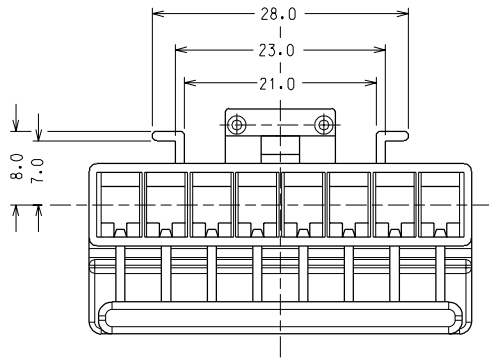
POLARIZZAZIONE TIPO "B"  
TYPE "B" POLARIZATION

|   |   |   |      |  |  |   |     |                             |
|---|---|---|------|--|--|---|-----|-----------------------------|
| EC NO. Z9-139<br>DRWNS. BARBERI 26-03-99<br>CHK: S. SORATO 29-03-99<br>APPR: M. MARTUCCI 29-03-99 | QUALITY SYMBOLS<br>MAJOR M =<br>SIGNIF. S =<br>CRITICAL C = | GENERAL TOLERANCES:<br>(UNLESS SPECIFIED) |      | SCALE 2:1  | DESIGN UNITS<br><input checked="" type="checkbox"/> mm <input type="checkbox"/> INCH   | DIMENSIONS:<br><input type="checkbox"/> mm <input type="checkbox"/> INCH <input checked="" type="checkbox"/> mm <input type="checkbox"/> ONLY | SHT | REV                         |
|   |   | 4 PLACES ±0.1                             | ±0.1 | DRAWN BY & DATE<br>S. BARBERI 20-12-95   | TITLE: HOUSING PER TERM. A FORCELLA DIRITTO<br>(SENZA PINS IN ACCIAIO)<br>HOUSING FOR STRAIGHT FORK TERMINAL<br>(WITHOUT STEEL PINS) |   |     |                             |
| B1  | REV   | 3 PLACES ±0.2                             | ±0.2 | CHECKED BY & DATE  | APPROVED BY & DATE<br>M. PREVIATO 20-12-95   |   |     |                             |
|   |   | 2 PLACES ±0.1                             | ±0.1 | CAD FILENAME<br>94509009.S06   |  | MATERIAL NO.<br>SEE TABLES  |     | DRAWING NO.<br>SD-94509-009 |
| DRAFT WHERE APPLICABLE MUST REMAIN WITHIN DIMENSIONS  |   | ANGULAR: ± 2°                             |      | THIS DRAWING CONTAINS INFORMATION THAT IS PROPRIETARY TO MOLEX INCORPORATED AND SHOULD NOT BE USED WITHOUT WRITTEN PERMISSION. |  |   |     | SIZE<br>A3                  |

# HOUSINGS A 8 VIE: / 8 CKT HOUSINGS:

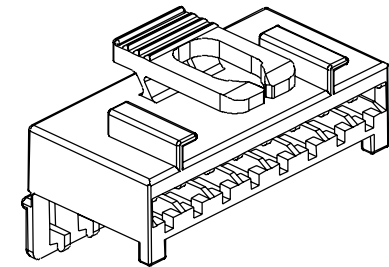
(VEDERE ANCHE FOGLIO SEGUENTE)

(SEE ALSO THE FOLLOWING SHEET)



POLARIZZAZIONE TIPO "A"  
TYPE "A" POLARIZATION

|         |                                    |            |
|---------|------------------------------------|------------|
| N.° VIE | CODICE HOUSING/TIPO POLARIZZAZIONE |            |
| CKT No. | HOUSING P/N / POLARIZATION         |            |
|         | A                                  | B          |
| 8       | 94509-9810                         | 94509-9820 |



POLARIZZAZIONE TIPO "B"  
TYPE "B" POLARIZATION

|  |   |   |  |  |  |  |  |
|--|---|---|--|--|--|--|--|
| EC NO. Z9-139<br>DRWNS. BARBIERI 26-03-99<br>CHK: S. SORATO 29-03-99<br>APPR: M. MARTUCCI 29-03-99 | QUALITY SYMBOLS<br>MAJOR M<br>SIGNIF. S<br>CRITICAL C | GENERAL TOLERANCES:<br>(UNLESS SPECIFIED)                       |  | SCALE 2:1  | DESIGN UNITS<br><input checked="" type="checkbox"/> mm <input type="checkbox"/> INCH | DIMENSIONS:<br><input type="checkbox"/> mm <input type="checkbox"/> INCH <input checked="" type="checkbox"/> mm ONLY | SHT<br>REV   |
|  |   | 4 PLACES ±0.1<br>3 PLACES ±0.2<br>2 PLACES ±0.1<br>1 PLACE ±0.2 | mm INCH<br>±0. ±0.1<br>±0. ±0.2                      | DRAWN BY & DATE<br>S. BARBIERI 20-12-95<br>CHECKED BY & DATE | APPROVED BY & DATE<br>M. PREVIATO 20-12-95   | FIRST ANGLE PROJECTION   | TITLE: HOUSING PER TERM. A FORCELLA DIRITTO<br>(SENZA PINS IN ACCIAIO)<br>HOUSING FOR STRAIGHT FORK TERMINAL<br>(WITHOUT STEEL PINS) |
| B1   | REV   | ANGULAR: ± 2°   | DRAFT WHERE APPLICABLE MUST REMAIN WITHIN DIMENSIONS | CAD FILENAME<br>94509009.S07                                 | MOLEX INCORPORATED   | MATERIAL NO. SEE TABLES<br>DRAWING NO. SD-94509-009<br>SHEET NO. 8/10  | SIZE A3  |

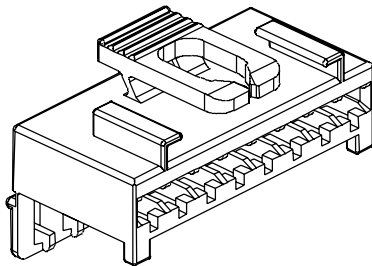
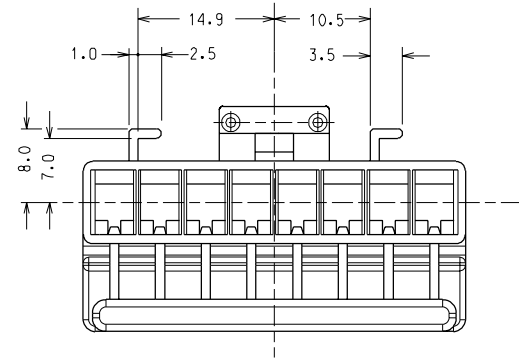
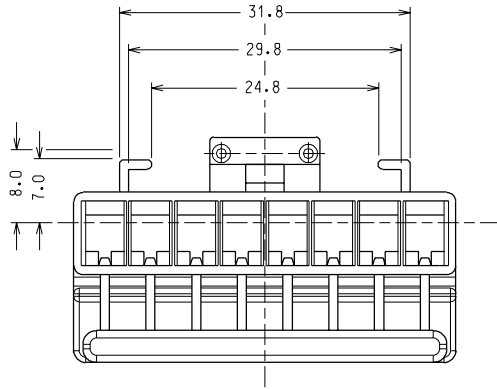
THIS DRAWING CONTAINS INFORMATION THAT IS PROPRIETARY TO MOLEX INCORPORATED AND SHOULD NOT BE USED WITHOUT WRITTEN PERMISSION.



# HOUSINGS A 8 VIE: / 8 CKT HOUSINGS:

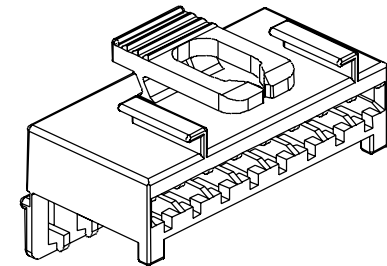
(VEDERE ANCHE FOGLIO PRECEDENTE)

(SEE ALSO THE PREVIOUS SHEET)



POLARIZZAZIONE TIPO "C"  
TYPE "C" POLARIZATION

|         |                                    |            |
|---------|------------------------------------|------------|
| N.° VIE | CODICE HOUSING/TIPO POLARIZZAZIONE |            |
| CKT No. | HOUSING P/N / POLARIZATION         |            |
|         | C                                  | D          |
| 8       | 94509-9830                         | 94509-9840 |






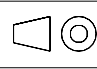
POLARIZZAZIONE TIPO "D"  
TYPE "D" POLARIZATION

|  |   |  |      |   |  |  |                             |                      |
|--|---|--|------|---|--|--|-----------------------------|----------------------|
| EC NO. Z9-139<br>DRWNS. BARBIERI 26-03-99<br>CHK: S. SORATO 29-03-99<br>APPR: M. MARTUCCI 29-03-99 | QUALITY SYMBOLS<br>MAJOR M<br>SIGNIF. S<br>CRITICAL C | GENERAL TOLERANCES:<br>(UNLESS SPECIFIED)  |      | SCALE 2:1                               | DESIGN UNITS<br><input checked="" type="checkbox"/> mm <input type="checkbox"/> INCH | DIMENSIONS:<br><input type="checkbox"/> mm <input type="checkbox"/> INCH <input checked="" type="checkbox"/> mm ONLY                 | SHT                         | REV                  |
|  |   | 4 PLACES ±0.1  | ±0.2 | DRAWN BY & DATE<br>S. BARBIERI 20-12-95 | FIRST ANGLE PROJECTION   | TITLE: HOUSING PER TERM. A FORCELLA DIRITTO<br>(SENZA PINS IN ACCIAIO)<br>HOUSING FOR STRAIGHT FORK TERMINAL<br>(WITHOUT STEEL PINS) |                             | REVISION ON CAD ONLY |
| B1   | REV   | 3 PLACES ±0.2  | ±0.3 | CHECKED BY & DATE                       | APPROVED BY & DATE<br>M. PREVIATO 20-12-95   | MATERIAL NO.<br>SEE TABLES   | DRAWING NO.<br>SD-94509-009 | SHEET NO.<br>9/10    |
|  |   | 2 PLACES ±0.1  | ±0.2 | ANGULAR: ± 2°                           | CAD FILENAME<br>94509009.S08   |  |                             |                      |
| DRAFT WHERE APPLICABLE MUST REMAIN WITHIN DIMENSIONS   |   | THIS DRAWING CONTAINS INFORMATION THAT IS PROPRIETARY TO MOLEX INCORPORATED AND SHOULD NOT BE USED WITHOUT WRITTEN PERMISSION. |      |   |  |  |                             |                      |

# CONFEZIONE - PACKAGING

I PEZZI SONO CONFEZIONATI IN SACCHETTI DI PLASTICA POSTI IN SCATOLE DI CARTONE  
 PARTS ARE PACKED IN PLASTIC BAGS PUT IN CARTON BOXES

| CKT No. | HOUSING P/N - POLARIZATION |            |            |            | STD PACK. QUANTITY |
|---------|----------------------------|------------|------------|------------|--------------------|
|         | A                          | B          | C          | D          |                    |
| 2       | 94509-5210                 | 94509-5220 |            |            | 7500               |
| 3       | 94509-9310                 | 94509-9320 |            |            | 5500               |
| 4       | 94509-9410                 | 94509-9420 |            |            | 3000               |
| 5       | 94509-9510                 | 94509-9520 |            |            | 3300               |
| 6       | 94509-9610                 | 94509-9620 |            |            | 2800               |
| 7       | 94509-9710                 | 94509-9720 |            |            | 1500               |
| 8       | 94509-9810                 | 94509-9820 | 94509-9830 | 94509-9840 | 2000               |

|  |                    |   |   |  |  |                           |                            |                             |                    |
|--|--------------------|---|---|--|--|---------------------------|----------------------------|-----------------------------|--------------------|
| EC NO. SEE SHT 1<br>DRWN:<br>CHK:<br>APPR: | DESCRIPTION<br>REV | QUALITY SYMBOLS<br>MAJOR  =<br>SIGNIF.  =<br>CRITICAL  = | GENERAL TOLERANCES:<br>(UNLESS SPECIFIED)<br>mm      INCH<br>4 PLACES ±0.      ±.<br>3 PLACES ±0.      ±.<br>2 PLACES ±0.1      ±.<br>1 PLACE ±0.2      ±.<br>ANGULAR: ± 2°<br>DRAFT WHERE APPLICABLE MUST REMAIN WITHIN DIMENSIONS | SCALE 2:1<br>DESIGN UNITS <input checked="" type="checkbox"/> mm <input type="checkbox"/> INCH<br>DRAWN BY & DATE<br>S. BARBIERI 26-03-99<br>CHECKED BY & DATE<br>S. SORATO 29-03-99<br>APPROVED BY & DATE<br>R. MARTUCCI 29-03-99<br>CAD FILENAME<br>94509009.S09 | DIMENSIONS:<br><input type="checkbox"/> mm <input type="checkbox"/> INCH <input checked="" type="checkbox"/> mm ONLY<br>FIRST ANGLE PROJECTION  | SHT<br>REVISE ON CAD ONLY | REV                        |                             |                    |
|  |                    | TITLE: HOUSING PER TERM. A FORCELLA DIRITTO<br>(SENZA PINS IN ACCIAIO)<br>HOUSING FOR STRAIGHT FORK TERMINAL<br>(WITHOUT STEEL PINS)  |   |  | MOLEX INCORPORATED   |                           | MATERIAL NO.<br>SEE TABLES | DRAWING NO.<br>SD-94509-009 | SHEET NO.<br>10/10 |
|  |                    | B3  |   |  | THIS DRAWING CONTAINS INFORMATION THAT IS PROPRIETARY TO MOLEX INCORPORATED AND SHOULD NOT BE USED WITHOUT WRITTEN PERMISSION.   |                           | SIZE<br>A3                 |                             |                    |
|  |                    | DIMENSIONS: <input type="checkbox"/> mm <input type="checkbox"/> INCH <input checked="" type="checkbox"/> mm ONLY   |   |  |  |                           |                            |                             |                    |