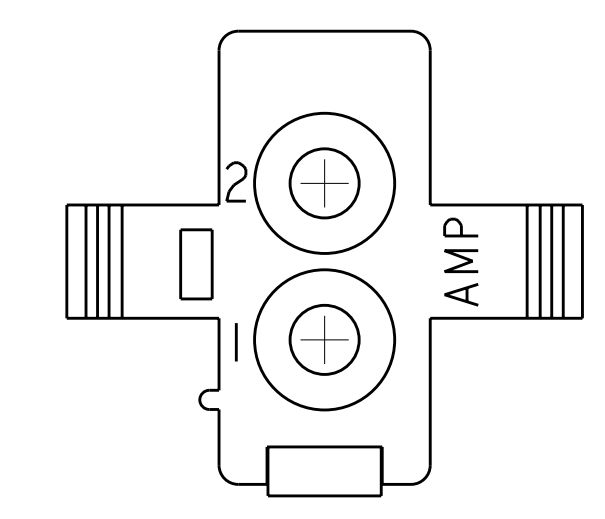
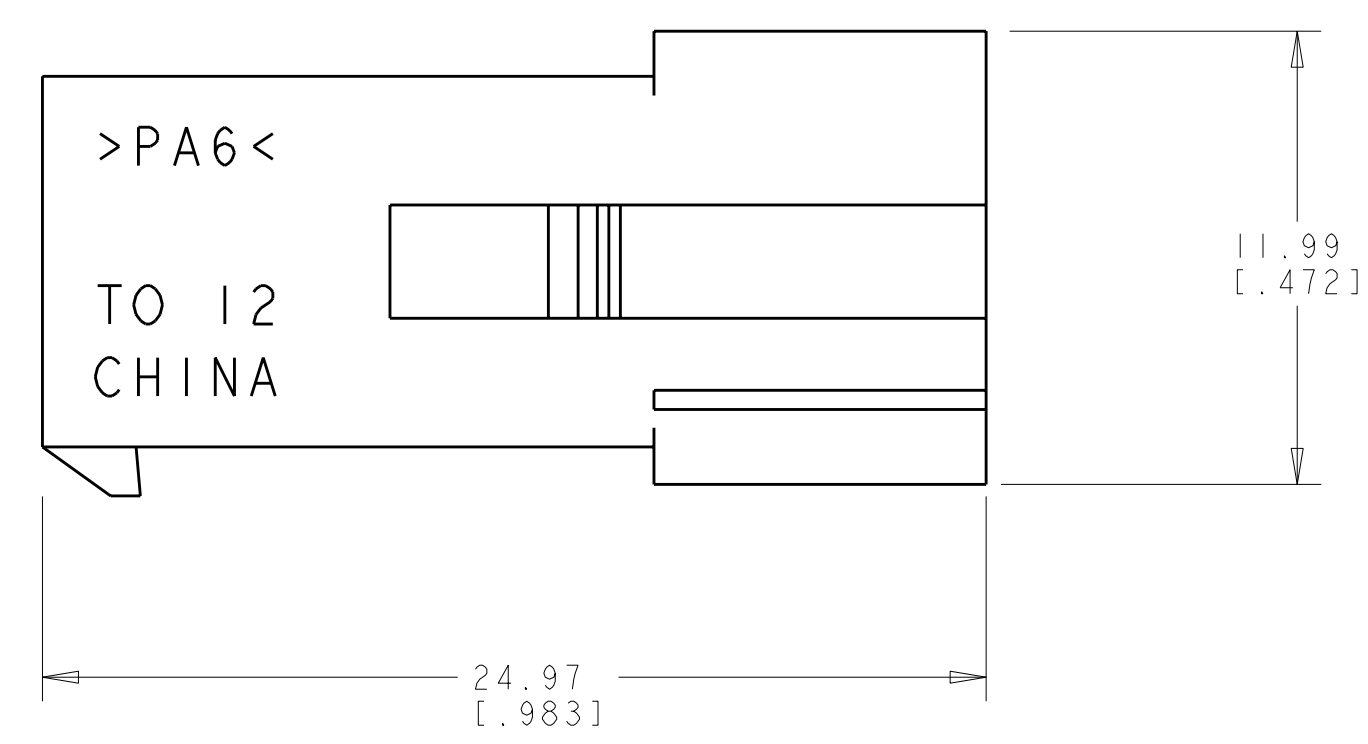
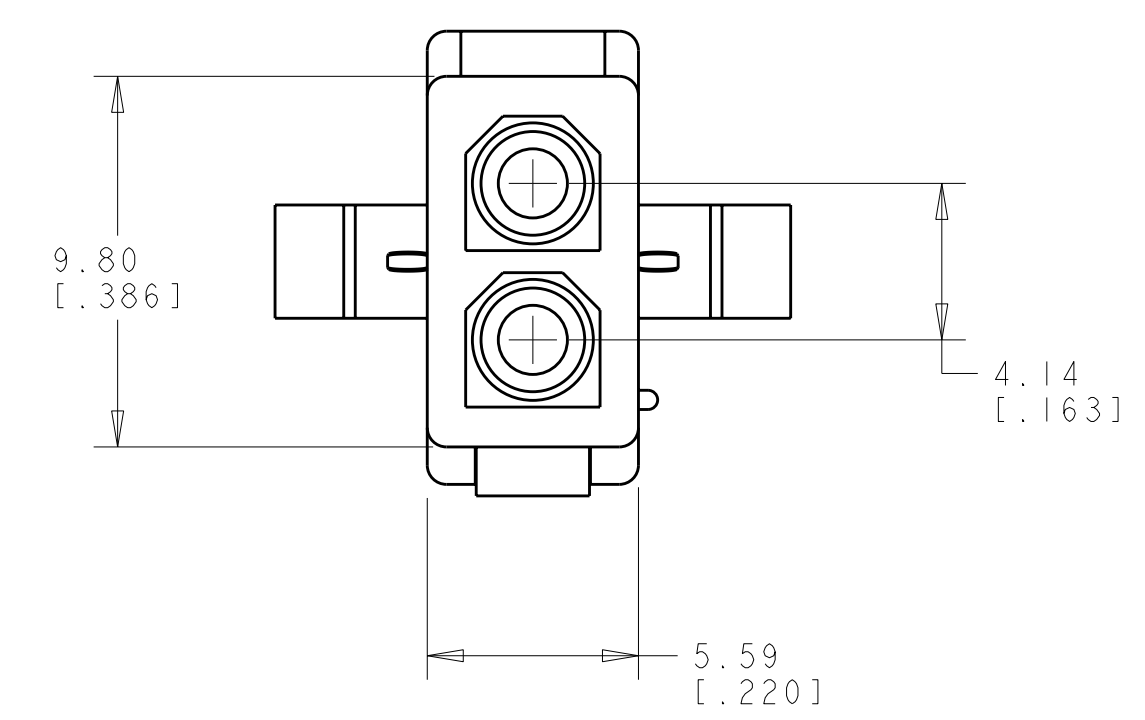
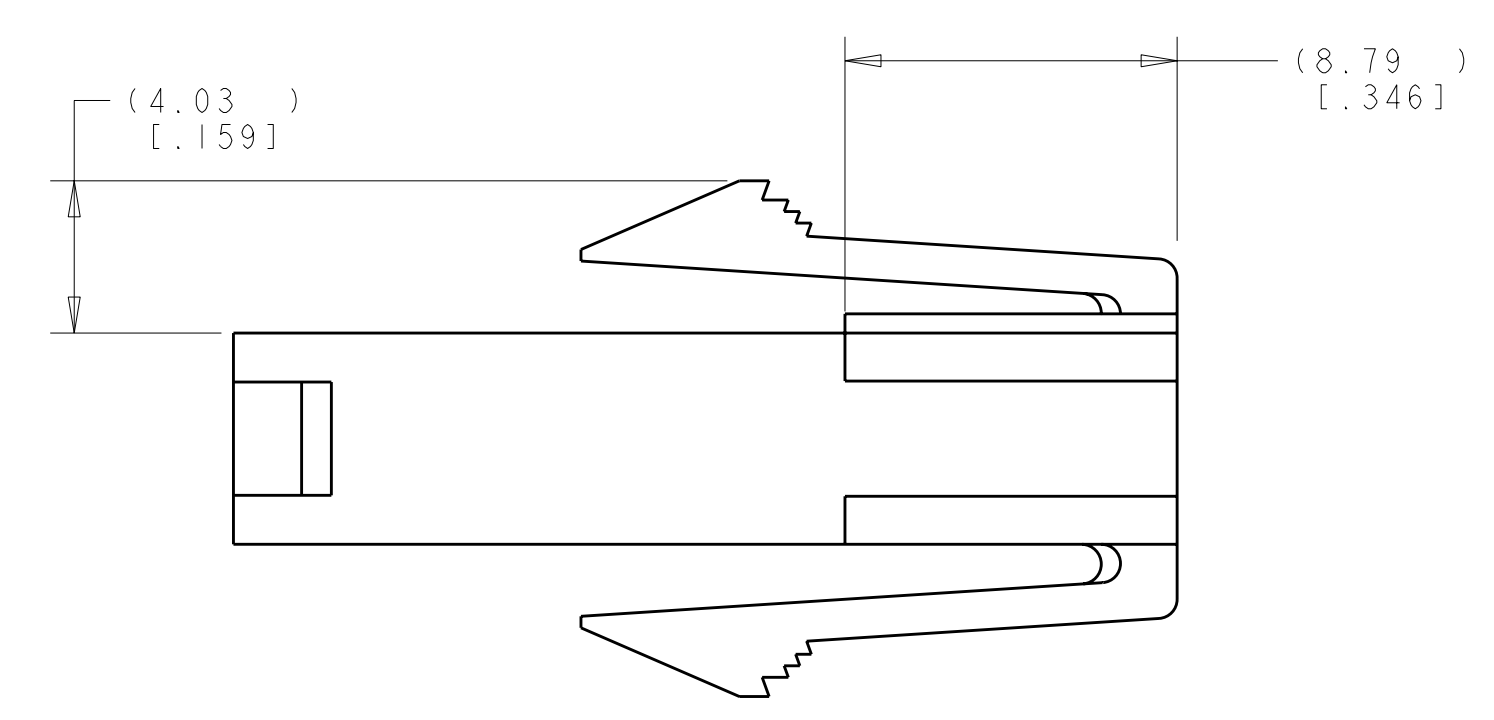
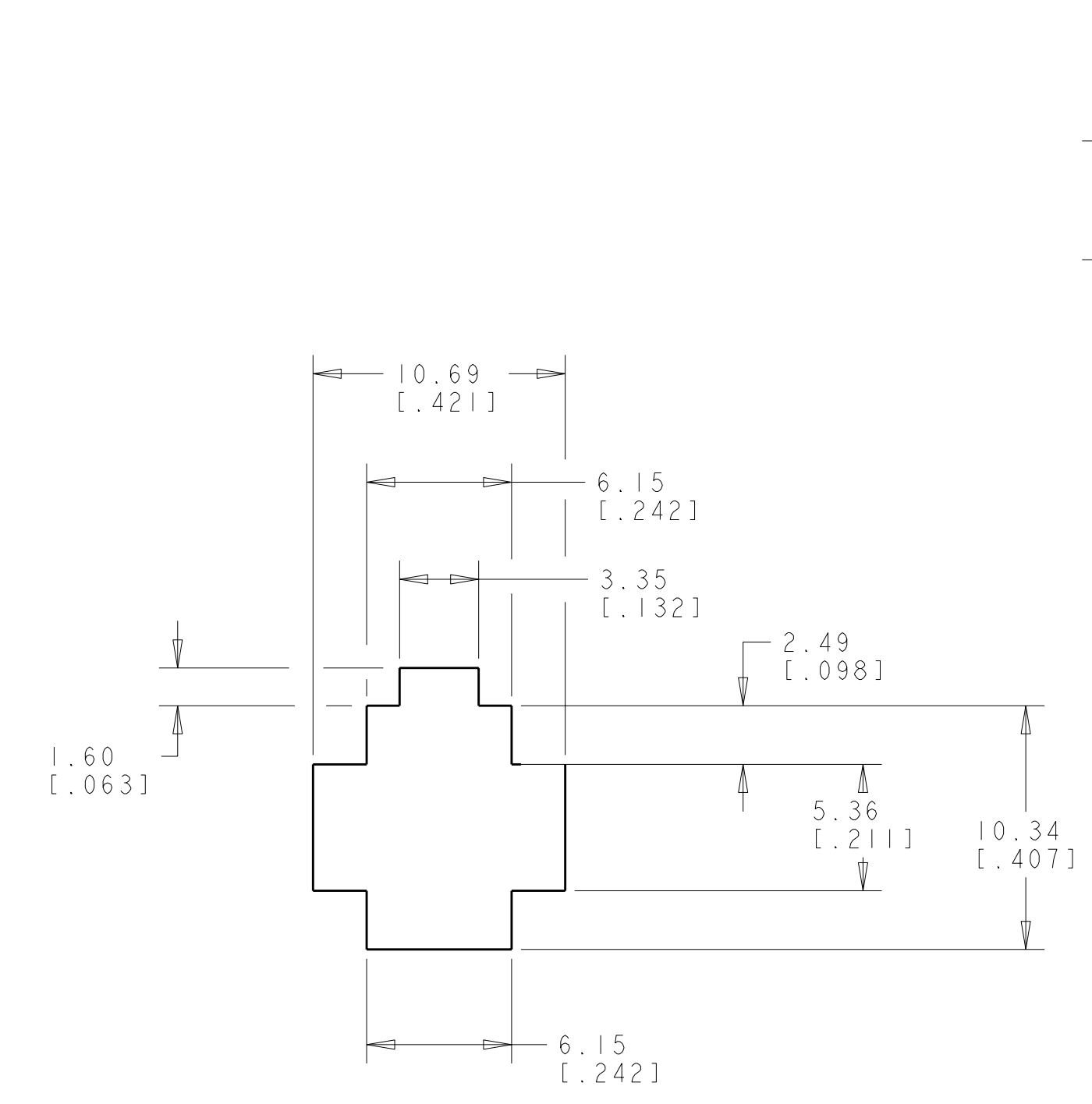


LOC	DIST	REVISIONS			
CM	00	REV	DATE	DWN	APVD
		B	REV PER ECR 10-018921	16SEP10	JR TM



1. NOTE DELETED.
2. NOTE DELETED.
3. RECOMMENDED PANEL THICKNESS TO BE 0.8-2.0 [1.031-.079].
4. HOUSING INSERTION INTO THE PANEL CUT OUT MUST BE IN THE SAME DIRECTION AS THE PUNCH.
5. FLAMMABILITY V-2 FOR THICKNESS 0.38mm, 0.75mm, 1.5mm AND 3.0mm PER IEC 60695-11-10.
6. GLOW-WIRE FLAMMABILITY (GWF1) 800°C FOR THICKNESS 0.38mm AND 0.75mm PER IEC 60695-2-12.
7. GLOW-WIRE FLAMMABILITY (GWF1) 960°C FOR THICKNESS 1.5mm AND 3.0mm PER IEC 60695-2-12.
8. GLOW-WIRE IGNITION (GWIT) 825°C FOR THICKNESS 0.38mm, 0.75mm, 1.5mm, AND 3.0mm PER IEC 60695-2-13.



RECOMMENDED PANEL CUT OUT  
 SCALE 4:1

0.065 IN <sup>3</sup>	1586945-1
VOLUME	PART NUMBER

<small>THIS DRAWING IS UNPUBLISHED. RELEASED FOR PUBLICATION BY TYCO ELECTRONICS CORPORATION. ALL RIGHTS RESERVED.</small>		DWN: R. WHITAKER 04DEC2007 CHK: C. JONES 04DEC2007 APVD: C. JONES 04DEC2007	Tyco Electronics Harrisburg, PA 17105-3608
DIMENSIONS: mm [INCHES] TOLERANCES UNLESS OTHERWISE SPECIFIED: 9 PLC ± 1 PLC ±0.13 [1.015] 5 PLC ±.005 4 PLC ± ANGLES ±40° 30'		NAME: CAP. PRODUCT SPEC: 2 CIRCUIT, SEALED APPLICATION, MINI UNIVERSAL MATE-N-LOK(TM) APPLICATION SPEC:	SIZE: A CAGE CODE: 00779 DRAWING NO: C=1586945 RESTRICTED TO:
MATERIAL: NYLON UL94V-2 NATURAL FINISH:		WEIGHT:	CUSTOMER DRAWING SCALE: 5:1 SHEET 1 OF 1 REV B

