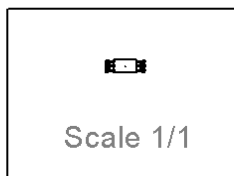
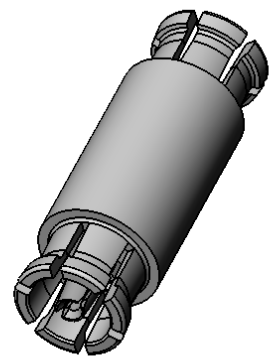
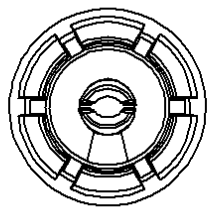
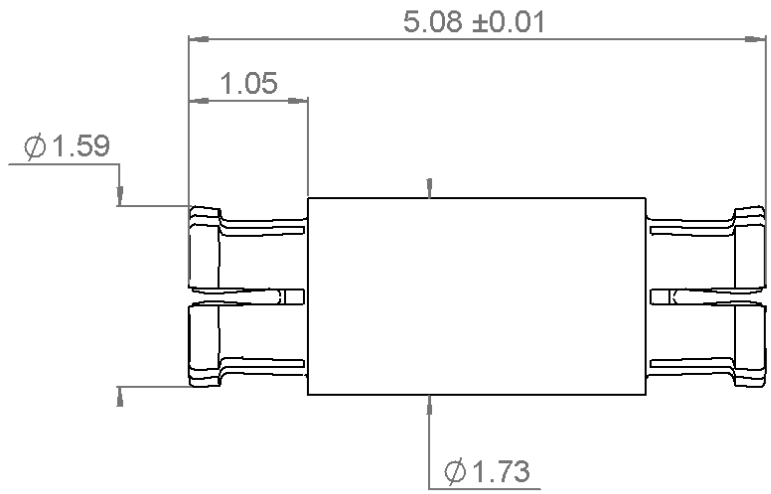
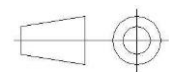


PAGE 1/4	ISSUE 12-03-19C	SERIES SMPW	PART NUMBER R218705020
----------	-----------------	-------------	------------------------



All dimensions are in mm. Tolerances according ISO 2768 m-H



COMPONENTS	MATERIALS	PLATING (µm)
Body	<b>BERYLLIUM COPPER</b>	<b>GOLD OVER NICKEL</b>
Center contact	<b>BERYLLIUM COPPER</b>	<b>GOLD OVER NICKEL</b>
Outer contact		
Insulator	<b>PEEK</b>	
Gasket		
Others parts		
-	-	-
-	-	-

PAGE 2/4	ISSUE 12-03-19C	SERIES SMPW	PART NUMBER R218705020
----------	-----------------	-------------	------------------------

**PACKAGING**

Standard	Unit	Other
100	Contact us	Contact us

**ELECTRICAL CHARACTERISTICS**

Impedance		<b>50</b>	Ω
Frequency		<b>0-100</b>	GHz
VSWR	<b>See*</b> +	<b>0,0000</b>	x F(GHz) Maxi
Insertion loss		<b>0.055</b>	√F(GHz) dB Maxi
RF leakage	- (	<b>70**</b>	- F(GHz) dB Maxi
Voltage rating		<b>125</b>	Veff Maxi
Dielectric withstanding voltage		<b>250</b>	Veff mini
Insulation resistance		<b>3500</b>	MΩ mini

**ENVIRONMENTAL**

Operating temperature	<b>-40/+125</b>	°C
Hermetic seal	<b>NA</b>	Atm.cm3/s
Panel leakage	<b>NA</b>	

**MECHANICAL CHARACTERISTICS**

Center contact retention			
Axial force – Mating End		<b>5.8</b>	N mini
Axial force – Opposite end		<b>5.8</b>	N mini
Torque		<b>NA</b>	N.cm mini

**SPECIFICATION**

**OTHER CHARACTERISTICS**

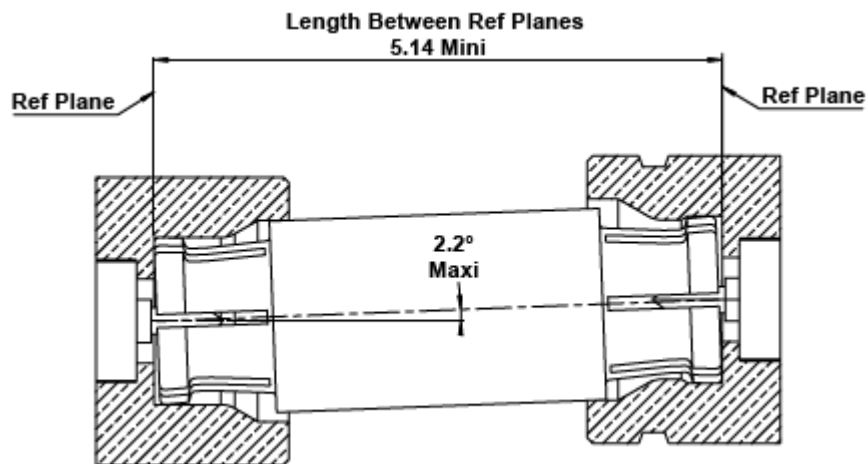
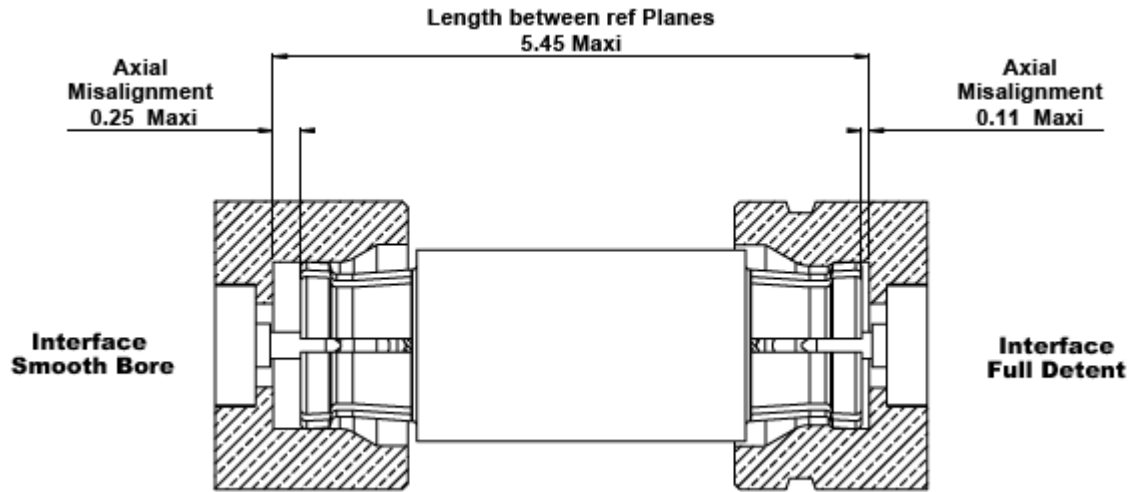
Recommended torque			
Mating		<b>NA</b>	N.cm
Panel nut		<b>NA</b>	N.cm
Mating	<b>100</b>		Cycles mini Full-detent
	<b>500</b>		Cycles Smooth-bore
Weight	<b>0,0500</b>		g

Assembly instruction:

Others:  
\*1.1(DC to 26.5Ghz) 1.25(26.5 to 65Ghz)  
\*\*DC to 40 Ghz

PAGE 3/4	ISSUE 12-03-19C	SERIES SMPW	PART NUMBER R218705020
----------	-----------------	-------------	------------------------

**MISALIGNMENT AXIAL AND RADIAL**



PAGE 4/4	ISSUE 12-03-19C	SERIES SMPW	PART NUMBER R218705020
----------	-----------------	-------------	------------------------

**PACKAGING**

**100 PER BOX**



10 Bullets per cavity