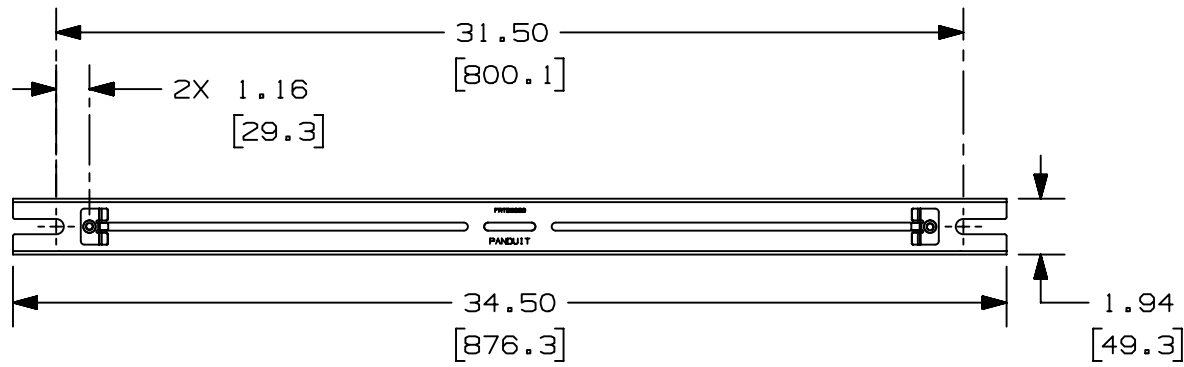


2

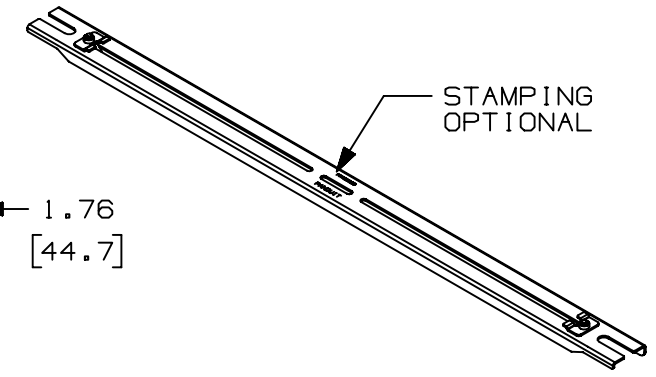
1

THIS COPY IS PROVIDED ON A RESTRICTED BASIS AND IS NOT TO BE USED IN ANY WAY DETRIMENTAL TO THE INTERESTS OF PANDUIT CORP.

PANDUIT PART NUMBER	WEIGHT
FRTBWG30	2.20 LBS/EACH (997.9 g/EACH)



- NOTES:**
- SEE CURRENT CATALOG FOR ADDITIONAL PART SUFFIXES TO INDICATE COLOR AND/OR PACKAGE QUANTITY.
 - THE FIBERRUNNER TRAPEZE BRACKET FOR WYR-GRID 30" PATHWAY INCLUDES:
ONE (1) FIBERRUNNER TRAPEZE BRACKET FOR WYR-GRID 30" PATHWAY
TWO (2) FIBERRUNNER TRAPEZE BRACKET WYR-GRID CLIP ASSEMBLY.
 - DIMENSIONS IN PARENTHESES ARE METRIC.



D10100DA/16

REV	DATE	BY	CHK	APR	DESCRIPTION	ECN
01B	9-20-19	LEE	FWI	FWI	C. "STAMPING OPTIONAL" LABEL ADDED SEE PREVIOUS REVISION FOR HISTORY	V09002CN/06

TITLE FIBERRUNNER TRAPEZE BRACKET FOR WYR-GRID 30" PATHWAY (FRTBWG30) CUSTOMER DRAWING					
ITEM REVISION NAME 10D165AD/01					
DATASET FILE NAME 10D165AD_DC/01B					
UNLESS OTHERWISE SPECIFIED, DIMENSIONAL TOLERANCES ARE: IN [mm] .X ± .01 [.25] .XXX ± .005 [.127] ANGLES ±					MATERIAL: STEEL
THIRD ANGLE PROJECTION					DRAWING NUMBER: 10D165AD-DC
DRAWN BY JAHA	DATE 05-05-11	CHK EB	SCALE NONE	SHT 1 OF 1	SIZE A

2

1