

10 9 8 7 6 5 4 3 2 1

NOTES:

1. MATERIALS:

HOUSING - LIQUID CRYSTAL POLYMER (LCP),  
UL94 V-0, COLOR: BLACK.

TERMINAL - COPPER ALLOY

2. FINISH: 30 μ IN MIN. GOLD ON MATING SURFACE;  
MATTE TIN ON TAILS; NICKEL UNDERPLATE.

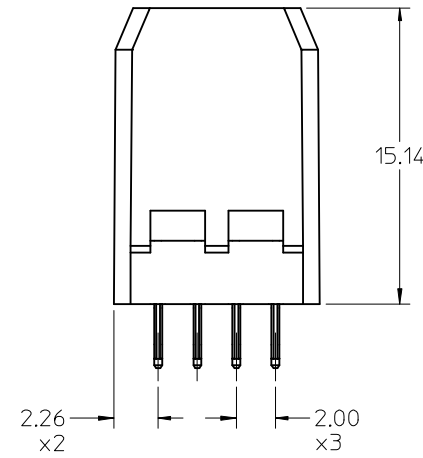
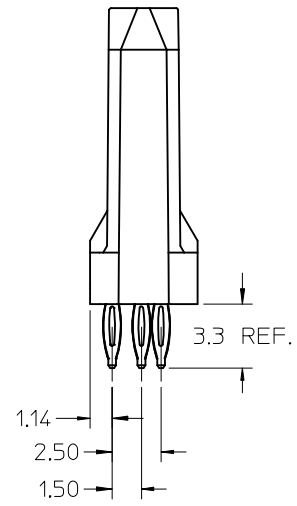
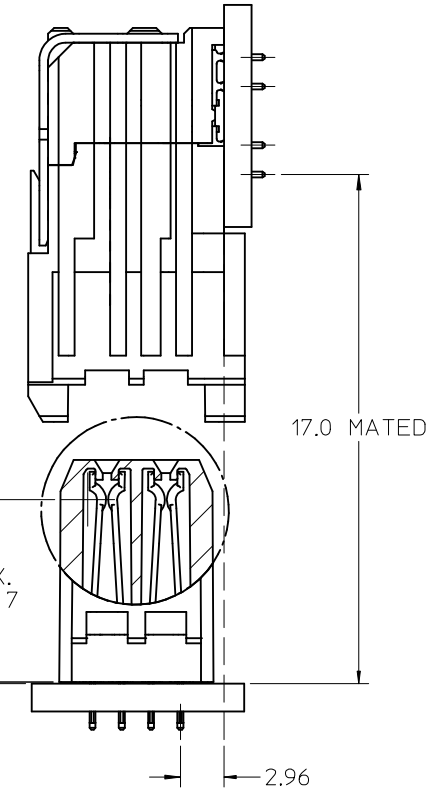
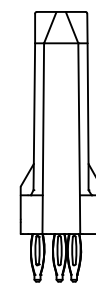
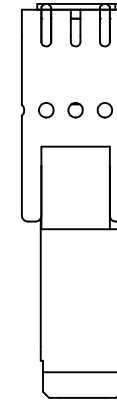
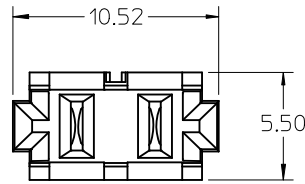
3. FINISH: 50 μ IN MIN. GOLD ON MATING SURFACE;  
MATTE TIN ON TAILS; NICKEL UNDERPLATE.

4. THIS PART CONFORMS TO PRODUCT SPECIFICATION  
PS-74031-999.

5. SINGLE ROW ASSEMBLY PACKED PER PK-70873-0876.

6. MATES WITH 75885 SERIES DAUGHTERCARD POWER ASSEMBLY.

7. MATING INTERFACE MEASURED FROM BOTTOM OF HOUSING.



MOLEX P/N	GOLD THICKNESS
75888-6000	30uin
75888-6050	50uin

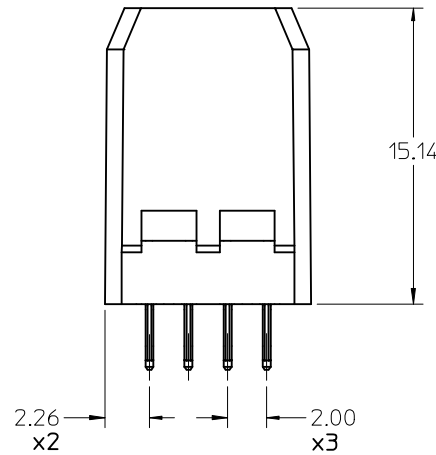
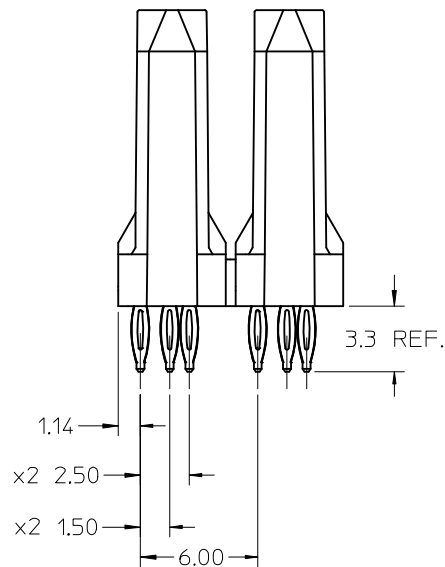
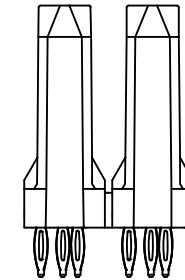
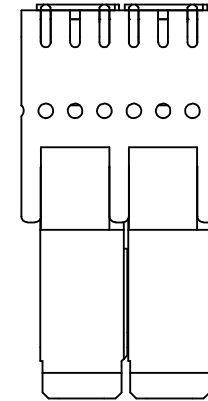
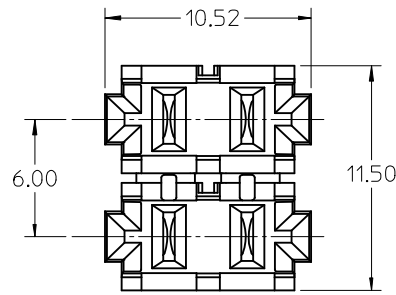
ADD GEN. TOLERANCE EC NO: UCP2014-2587 DRWN:SVANG01 2013/12/17 CHKD:WOLFE 2013/12/17 APPR:SMILLER 2013/12/19	DESCRIPTION B	QUALITY SYMBOLS	GENERAL TOLERANCES (UNLESS SPECIFIED)	DIMENSION STYLE	SCALE	DESIGN UNITS	THIRD ANGLE PROJECTION
		$\nabla = 0$ $\nabla = 0$ $\nabla = 0$	mm INCH 4 PLACES ± --- ± --- 3 PLACES ± --- ± --- 2 PLACES ± 0.13 ± --- 1 PLACE ± 0.25 ± --- 0 PLACE ± ±	MM ONLY	4:1	METRIC	TITLE VHDM/HSD POWER 6 ROW BACKPLANE LEAD FREE SALES ASSEMBLY
		DRAWN BY: JJONIAK CHECKED BY: JJONIAK APPROVED BY: JJONIAK	DATE: 2005/08/09 DATE: 2005/08/09 DATE: 2005/08/09	MATERIAL NO. SEE CHART	DOCUMENT NO. SD-75888-006	SHEET NO. 1 OF 3	
		ANGULAR ± 5 ° DRAFT WHERE APPLICABLE MUST REMAIN WITHIN DIMENSIONS		THIS DRAWING CONTAINS INFORMATION THAT IS PROPRIETARY TO MOLEX INCORPORATED AND SHOULD NOT BE USED WITHOUT WRITTEN PERMISSION			

SINGLE ROW ASSEMBLY

9 8 7 6 5 4 3 2 1

NOTES:

1. THIS DESIGN INTENDED AS OPTION TO HAVING TWO SINGLE ROW MODULES NEXT TO EACH OTHER.
2. FINISH: 30 μ IN GOLD ON MATING SURFACE; MATTE TIN ON TAILS; NICKEL UNDERPLATE.
3. FINISH: 50 μ IN GOLD ON MATING SURFACE; MATTE TIN ON TAILS; NICKEL UNDERPLATE.
4. DUAL ROW ASSEMBLIES PACKED PER PK-70873-545.

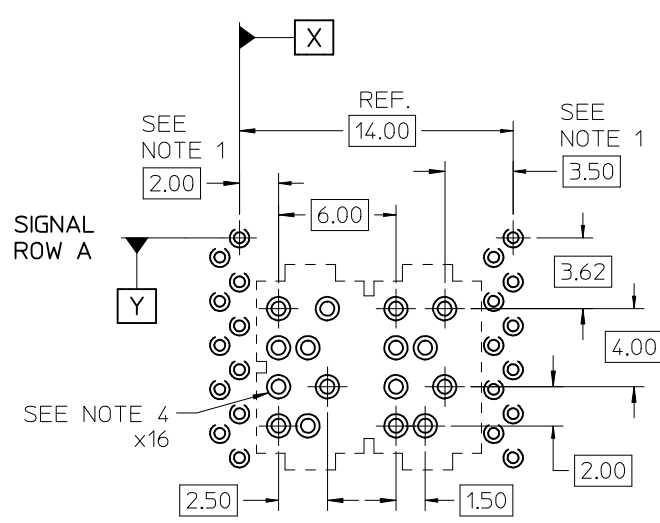


DUAL ROW ASSEMBLY

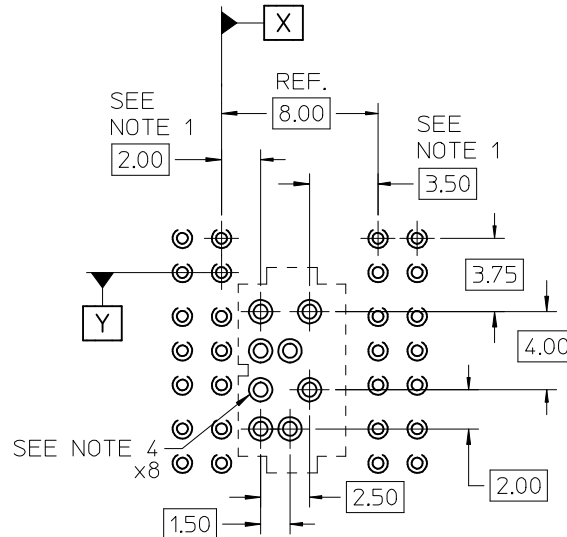
MOLEX P/N	CONTACT PLATING
75888-6002	SEE NOTE 2.
75888-6052	SEE NOTE 3.

SEE SHEET 1 EC NO: UCP2014-2587 DRWN:SVANG01 2013/12/17 CHKD:MWOLF 2013/12/17 APPR:SMILLER 2013/12/19	QUALITY SYMBOLS ▽=0 ▽=0 ▽=0	GENERAL TOLERANCES (UNLESS SPECIFIED)		DIMENSION STYLE MM ONLY		SCALE 4:1	DESIGN UNITS METRIC	THIRD ANGLE PROJECTION	
		4 PLACES ± --- ± --- 3 PLACES ± --- ± --- 2 PLACES ± 0.13 ± --- 1 PLACE ± 0.25 ± --- 0 PLACE ± ±	mm INCH	DRAWN BY JJONIAK	DATE 2005/08/09	TITLE VHDM/HSD POWER 6 ROW BACKPLANE LEAD FREE SALES ASSEMBLY		MATERIAL NO. SEE CHART	
ANGULAR ± 5 ° DRAFT WHERE APPLICABLE MUST REMAIN WITHIN DIMENSIONS		THIS DRAWING CONTAINS INFORMATION THAT IS PROPRIETARY TO MOLEX INCORPORATED AND SHOULD NOT BE USED WITHOUT WRITTEN PERMISSION							

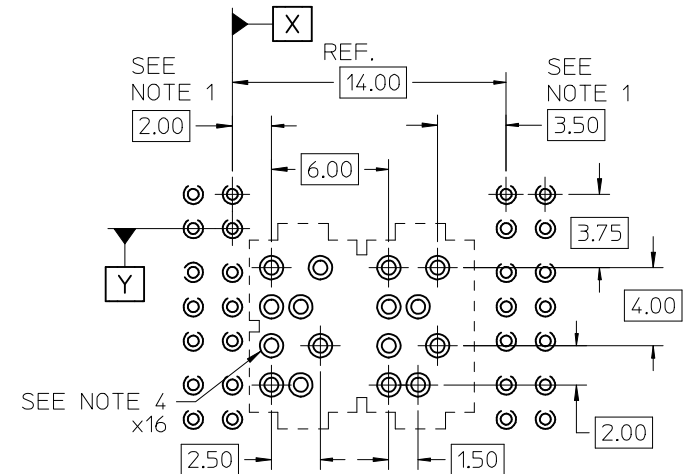
# BOARD LAYOUTS: 1.8 mm MIN. BOARD THICKNESS



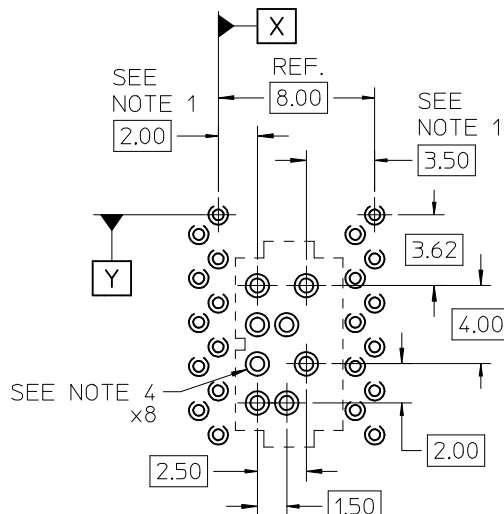
VHDM DUAL ROW POWER



VHDM-HSD SINGLE ROW POWER



VHDM-HSD DUAL ROW POWER

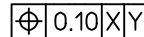


VHDM SINGLE ROW POWER

**NOTES:**

1. ADDITIONAL SPACING CAN BE ADDED IN MULTIPLES OF 2.0 mm AS REQUIRED. FOR EACH ADDITIONAL SINGLE ROW POWER, ADD 6.00 mm.
2. SIGNAL ROW A IS IN LINE WITH DATUM Y IN ALL FOUR LAYOUTS.
3. FOUR HOLES ARE USED PER POWER CONTACT.
4. EACH POWER HOLE TO BE MANUFACTURED AS FOLLOWS:

- Ø0.725±0.075 PLATED THROUGH HOLE
- Ø1.20 PAD
- Ø0.838 DRILL



SEE SHEET 1 EC NO: UCP2014-2587 DRAWN: SVANG01 2013/12/17 CHKD: MWOLFE 2013/12/17 APPR: SMILLER 2013/12/19	QUALITY SYMBOLS ▽=0 ▽=0 ▽=0	GENERAL TOLERANCES (UNLESS SPECIFIED)		DIMENSION STYLE MM ONLY		SCALE 4:1	DESIGN UNITS METRIC	THIRD ANGLE PROJECTION		
		mm	INCH	DRAWN BY JJONIAK	DATE 2005/08/09	TITLE VHDM/HSD POWER 6 ROW BACKPLANE LEAD FREE SALES ASSEMBLY				
		3 PLACES ± --- ± ---	2 PLACES ± 0.13 ± ---	CHECKED BY JJONIAK	DATE 2005/08/09					
		1 PLACE ± 0.25 ± ---	0 PLACE ± ±	APPROVED BY JJONIAK	DATE 2005/08/09					
ANGULAR ± 5 ° DRAFT WHERE APPLICABLE MUST REMAIN WITHIN DIMENSIONS		MATERIAL NO. SEE CHART		DOCUMENT NO. SD-75888-006			SHEET NO. 3 OF 3			

10 9 8 7 6 5 4 3 2 1

NOTES:

1. MATERIALS:

HOUSING - LIQUID CRYSTAL POLYMER (LCP),  
UL94 V-0, COLOR: BLACK.

TERMINAL - COPPER ALLOY

2. FINISH: 30 μ IN MIN. GOLD ON MATING SURFACE;  
MATTE TIN ON TAILS; NICKEL UNDERPLATE.

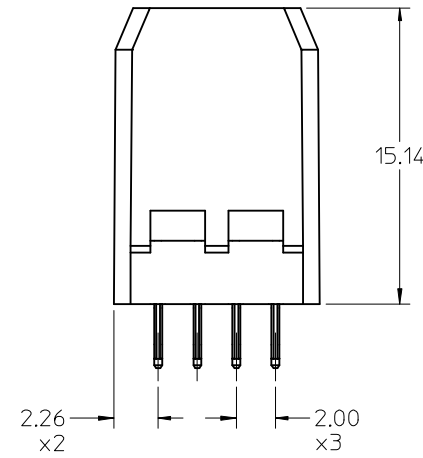
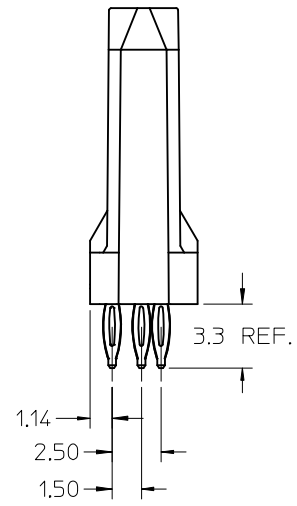
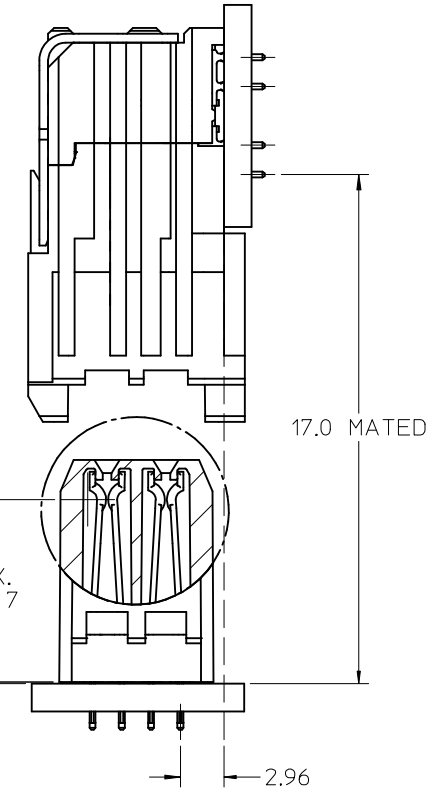
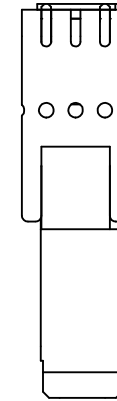
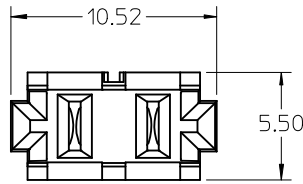
3. FINISH: 50 μ IN MIN. GOLD ON MATING SURFACE;  
MATTE TIN ON TAILS; NICKEL UNDERPLATE.

4. THIS PART CONFORMS TO PRODUCT SPECIFICATION  
PS-74031-999.

5. SINGLE ROW ASSEMBLY PACKED PER PK-70873-0876.

6. MATES WITH 75885 SERIES DAUGHTERCARD POWER ASSEMBLY.

7. MATING INTERFACE MEASURED FROM BOTTOM OF HOUSING.



MOLEX P/N	GOLD THICKNESS
75888-6000	30uin
75888-6050	50uin

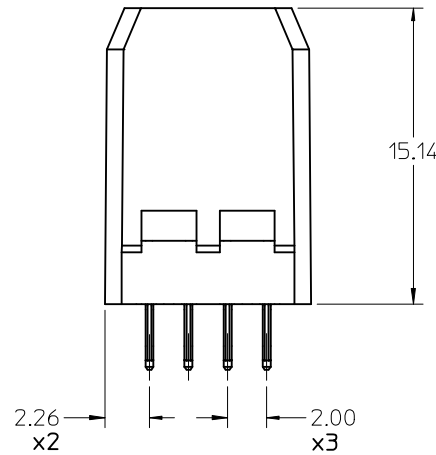
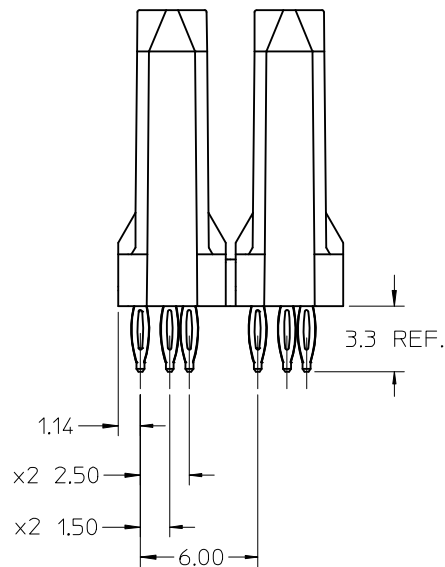
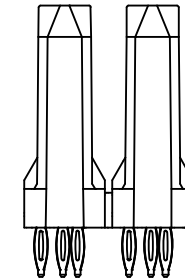
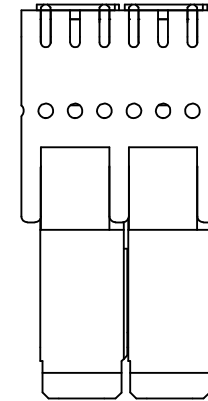
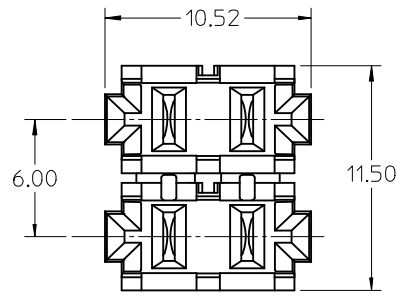
SINGLE ROW ASSEMBLY

ADD GEN. TOLERANCE EC NO: UCP2014-2587 DRWN:SVANG01 2013/12/17 CHKC:WOLFE 2013/12/17 APPR:SMILLER 2013/12/19	DESCRIPTION B	QUALITY SYMBOLS	GENERAL TOLERANCES (UNLESS SPECIFIED)	DIMENSION STYLE	SCALE	DESIGN UNITS	THIRD ANGLE PROJECTION		
		$\nabla = 0$ $\nabla = 0$ $\nabla = 0$	mm INCH 4 PLACES ± --- ± --- 3 PLACES ± --- ± --- 2 PLACES ± 0.13 ± --- 1 PLACE ± 0.25 ± --- 0 PLACE ± ±	MM ONLY	4:1	METRIC	DRAWN BY: JJONIAK DATE: 2005/08/09 CHECKED BY: JJONIAK DATE: 2005/08/09 APPROVED BY: JJONIAK DATE: 2005/08/09	TITLE	VHDM/HSD POWER 6 ROW BACKPLANE LEAD FREE SALES ASSEMBLY
		ANGULAR ± 5 ° DRAFT WHERE APPLICABLE MUST REMAIN WITHIN DIMENSIONS	MATERIAL NO. SEE CHART	DOCUMENT NO. SD-75888-006	SHEET NO. 1 OF 3				
		SIZE B	THIS DRAWING CONTAINS INFORMATION THAT IS PROPRIETARY TO MOLEX INCORPORATED AND SHOULD NOT BE USED WITHOUT WRITTEN PERMISSION						

9 8 7 6 5 4 3 2 1

NOTES:

1. THIS DESIGN INTENDED AS OPTION TO HAVING TWO SINGLE ROW MODULES NEXT TO EACH OTHER.
2. FINISH: 30 μ IN GOLD ON MATING SURFACE; MATTE TIN ON TAILS; NICKEL UNDERPLATE.
3. FINISH: 50 μ IN GOLD ON MATING SURFACE; MATTE TIN ON TAILS; NICKEL UNDERPLATE.
4. DUAL ROW ASSEMBLIES PACKED PER PK-70873-545.

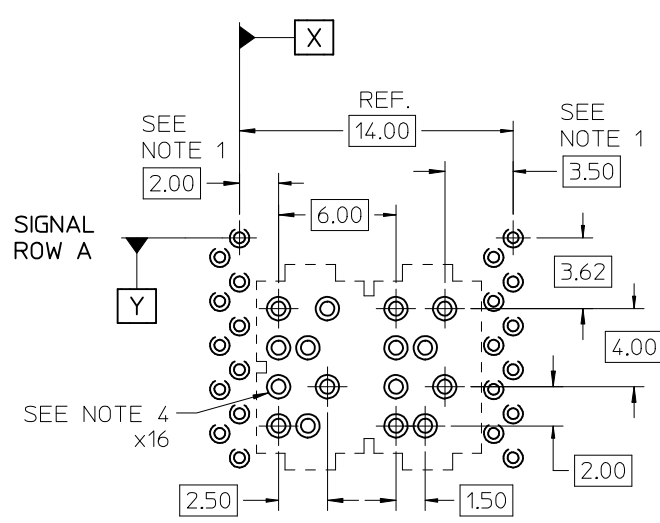


DUAL ROW ASSEMBLY

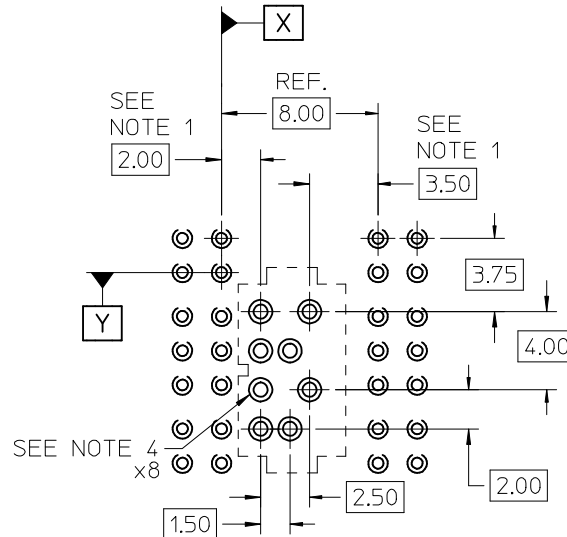
MOLEX P/N	CONTACT PLATING
75888-6002	SEE NOTE 2.
75888-6052	SEE NOTE 3.

SEE SHEET 1 EC NO: UCP2014-2587 DRWN:SVANG01 2013/12/17 CHKD:MWOLFE 2013/12/17 APPR:SMILLER 2013/12/19	QUALITY SYMBOLS ∇=0 ∇=0 ∇=0	GENERAL TOLERANCES (UNLESS SPECIFIED)		DIMENSION STYLE MM ONLY		SCALE 4:1	DESIGN UNITS METRIC	THIRD ANGLE PROJECTION
		4 PLACES ± --- ± --- 3 PLACES ± --- ± --- 2 PLACES ± 0.13 ± --- 1 PLACE ± 0.25 ± --- 0 PLACE ± ±	mm INCH DRAWN BY JJONIAK DATE 2005/08/09 CHECKED BY JJONIAK DATE 2005/08/09 APPROVED BY JJONIAK DATE 2005/08/09	TITLE VHDM/HSD POWER 6 ROW BACKPLANE LEAD FREE SALES ASSEMBLY		MATERIAL NO. SEE CHART		DOCUMENT NO. SD-75888-006
ANGULAR ± 5 ° DRAFT WHERE APPLICABLE MUST REMAIN WITHIN DIMENSIONS		THIS DRAWING CONTAINS INFORMATION THAT IS PROPRIETARY TO MOLEX INCORPORATED AND SHOULD NOT BE USED WITHOUT WRITTEN PERMISSION						

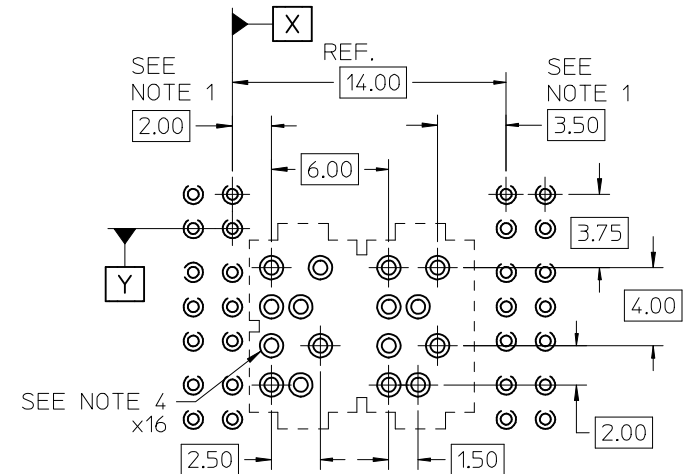
# BOARD LAYOUTS: 1.8 mm MIN. BOARD THICKNESS



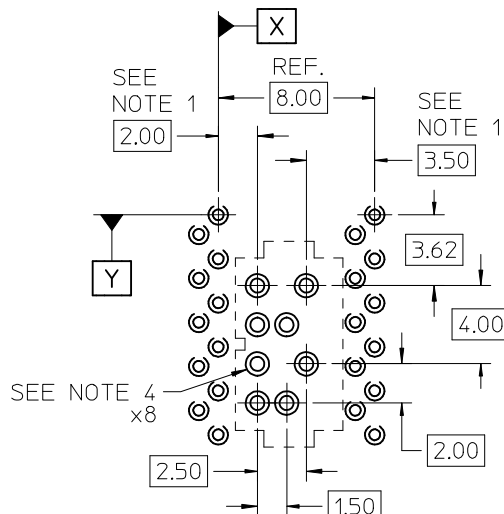
VHDM DUAL ROW POWER



VHDM-HSD SINGLE ROW POWER



VHDM-HSD DUAL ROW POWER

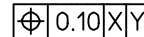


VHDM SINGLE ROW POWER

**NOTES:**

1. ADDITIONAL SPACING CAN BE ADDED IN MULTIPLES OF 2.0 mm AS REQUIRED. FOR EACH ADDITIONAL SINGLE ROW POWER, ADD 6.00 mm.
2. SIGNAL ROW A IS IN LINE WITH DATUM Y IN ALL FOUR LAYOUTS.
3. FOUR HOLES ARE USED PER POWER CONTACT.
4. EACH POWER HOLE TO BE MANUFACTURED AS FOLLOWS:

- Ø0.725±0.075 PLATED THROUGH HOLE
- Ø1.20 PAD
- Ø0.838 DRILL



<b>SEE SHEET 1</b> EC NO: UCP2014-2587 DRWNS:SVANG01 2013/12/17 CHKD:MWOLF 2013/12/17 APPR:SMILLER 2013/12/19 REV DESCRIPTION	QUALITY SYMBOLS	GENERAL TOLERANCES (UNLESS SPECIFIED)	DIMENSION STYLE	SCALE	DESIGN UNITS	THIRD ANGLE PROJECTION
		mm INCH	MM ONLY	4:1	METRIC	
	▽=0	4 PLACES ± --- ± ---	DRAWN BY DATE	TITLE		
	▽=0	3 PLACES ± --- ± ---	JJONIAK 2005/08/09	VHDM/HSD POWER		
▽=0	2 PLACES ± 0.13 ± ---	CHECKED BY DATE	6 ROW BACKPLANE			
	1 PLACE ± 0.25 ± ---	JJONIAK 2005/08/09	LEAD FREE SALES ASSEMBLY			
	0 PLACE ± ±	APPROVED BY DATE				
	ANGULAR ± 5 °	JJONIAK 2005/08/09	MATERIAL NO.	DOCUMENT NO.	SHEET NO.	
	DRAFT WHERE APPLICABLE MUST REMAIN WITHIN DIMENSIONS	SEE CHART		SD-75888-006	3 OF 3	
			SIZE B	THIS DRAWING CONTAINS INFORMATION THAT IS PROPRIETARY TO MOLEX INCORPORATED AND SHOULD NOT BE USED WITHOUT WRITTEN PERMISSION		