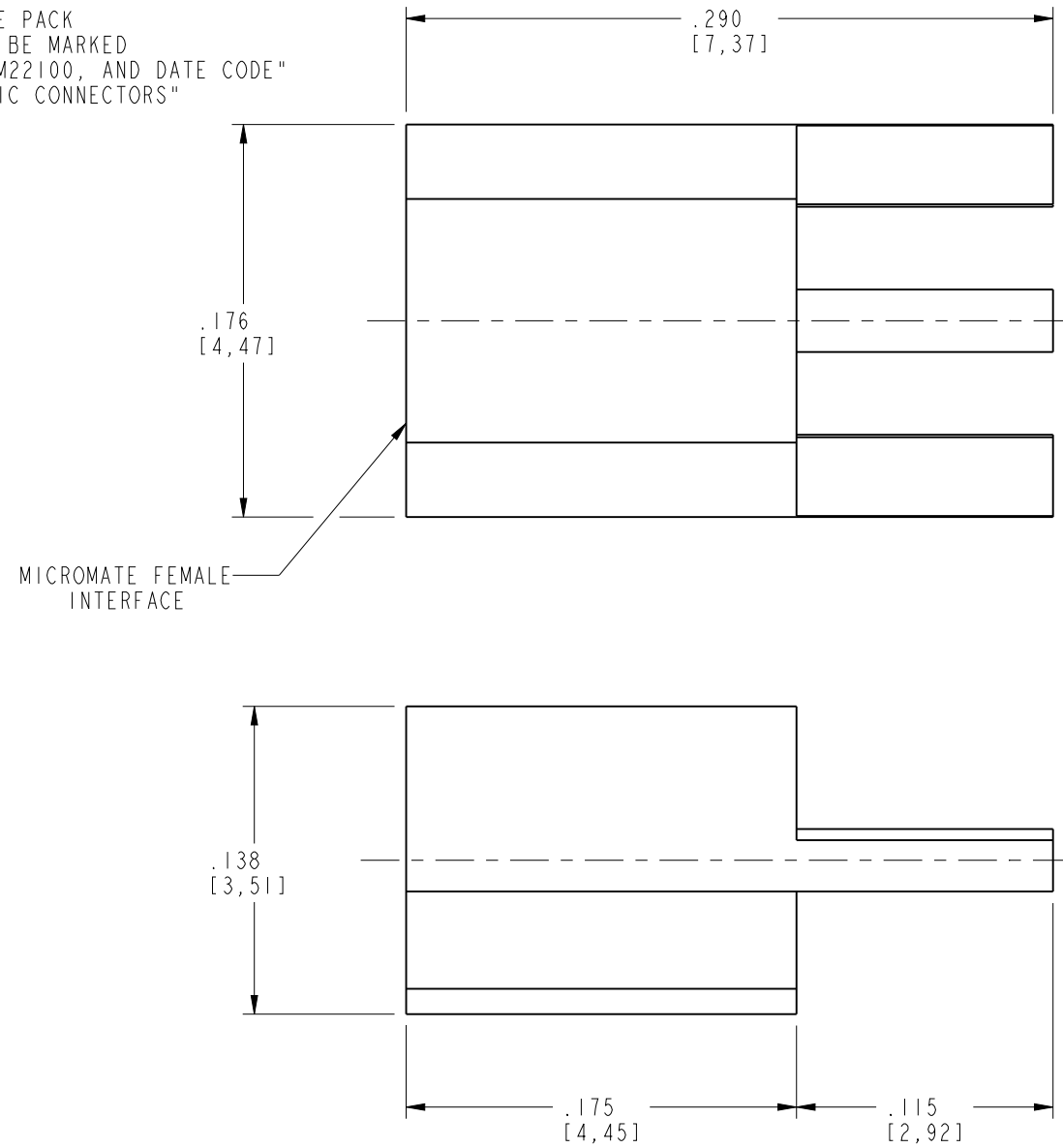
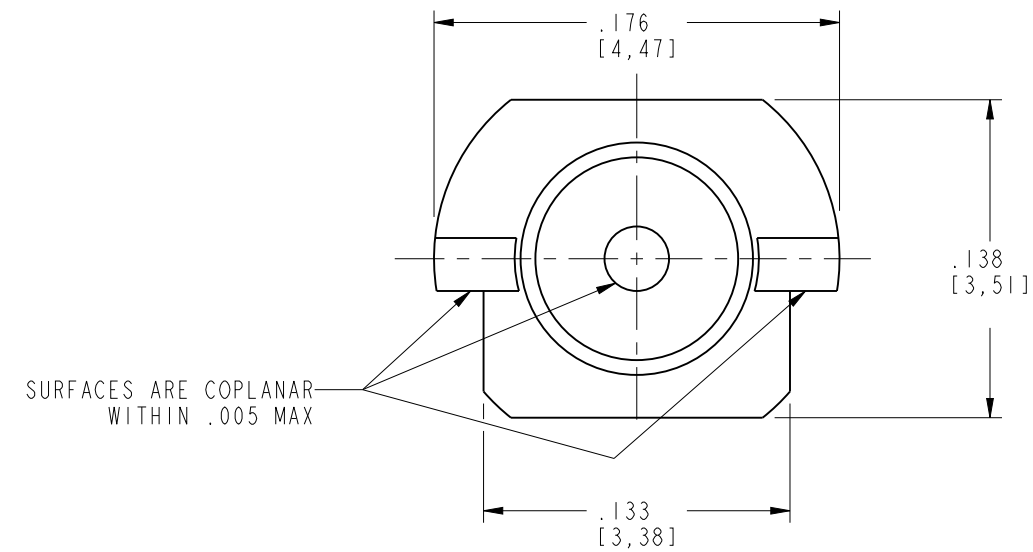
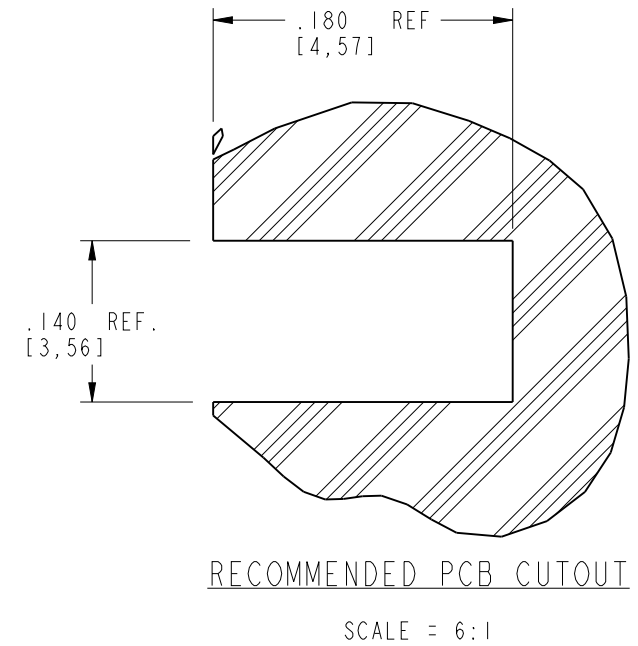


NOTES:

1. MATERIALS AND FINISHES:  
 BODY - BERYLLIUM COPPER, GOLD .000030" THICK OVER WHITE BRONZE .000080 " THICK  
 CONTACT - BERYLLIUM COPPER, GOLD .000030 " THICK OVER WHITE BRONZE .000080" THICK.  
 INSULATOR - PTFE
2. ELECTRICAL:  
 A. IMPEDANCE: 50 OHM  
 B. FREQUENCY RANGE: DC - 6 GHz  
 C. DIELECTRIC WITHSTANDING VOLTAGE: 500 VRMS, MIN.
3. MECHANICAL:  
 A. DURABILITY: 500 CYCLES MIN.  
 B. TEMPERATURE RANGE: -55° C TO 155° C
4. PACKAGING:  
 A. QUANTITY: SINGLE PACK  
 B. MARKING: BAG TO BE MARKED  
 "AMPHENOL, 908-NM22100, AND DATE CODE"  
 AND "NON-MAGNETIC CONNECTORS"



908-NM22100		REVISIONS			
DRAWING NO.	REV	DESCRIPTION	DATE	ECO	APPR
THIRD ANGLE PROJ.	A	RELEASE TO MFG	20-May-09	47590	RR
	B	IMPROVED MATING FORCES	27-Aug-12	49216	DD
	C	PLATING ON BODY REVISED TO NEW STANDARD	17-Jul-18	08616	CJV
	D	.133 BODY WIDTH WAS .134	12-Dec-18	10208	CJV



**NON-MAGNETIC CUSTOMER OUTLINE DRAWING**  
ALL OTHER SHEETS ARE FOR INTERNAL USE ONLY

UNLESS OTHERWISE SPECIFIED, DIMENSIONS ARE IN INCHES AND TOLERANCES ARE: 2 PLACE DECIMAL ±.015 (0,381 mm) 3 PLACE DECIMAL ±.005 (0,127 mm) ANGLES ± 1°	MATERIAL SEE NOTES	DRAWN R. RAJAN	DATE 12-Feb-09	TITLE MICROMATE JACK PCB EDMOUNT NON-MAGNETIC	Amphenol RF Danbury, CT, USA Tainan, Taiwan Shenzhen, China www.amphenolrf.com			
	REFERENCE EAR 3372 908-22100 GEN# ASSYF3_MMCX GEN# PCB_CUTOUT	ENGINEER G. TILTON	DATE 21-Jun-95			APPROVED K. CAPOZZI	DATE 11-Jan-19	
NOTICE - These drawings, specifications, or other data (1) are, and remain the property of Amphenol Corp. (2) must be returned upon request; and (3) are confidential and not to be disclosed to any person other than those to whom they are given by Amphenol Corp. The furnishing of these drawings, specifications, or other data by Amphenol Corp., or to any other person to anyone for any purpose is not to be regarded by implication or otherwise in any manner licensing, granting rights or permitting such holder or any other person to manufacture, use or sell any product, process or design, patented or otherwise, that may in any way be related to or disclosed by said drawings, specifications, or other data.		CAD FILE I:\MMCX\908-NM22100	CODE ID 74868	DWG SIZE B	DRAWING NO. 908-NM22100	SCALE: 12.0:1	SHEET 2 OF 2	REV D