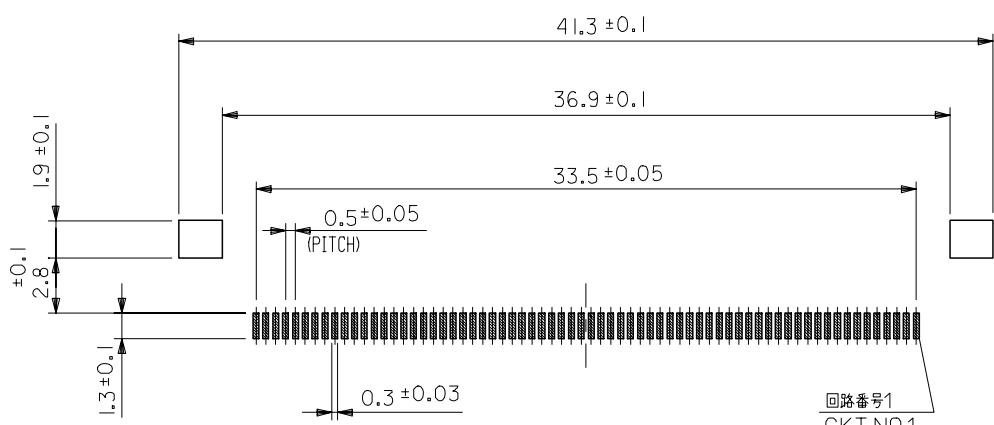


501543-6819 68
MATERIAL NO. CIRCUIT

RELEASED EC NO: J2005-1453 DRAWN: MERIGUCHI 2004/11/17 CHKD: KASAKAWA 2004/11/17 APPR: SICHIKAWA 2004/11/19	GENERAL TOLERANCES (UNLESS SPECIFIED)		DIMENSION STYLE MM ONLY		SCALE 5:1	DESIGN UNITS METRIC	THIRD ANGLE PROJECTION	
	10 UNDER	±0.2	DRAWN BY ERIGUCHI		DATE '04/11/15	TITLE 0.5 MM PITCH FPC CONN. E/O R/A WITH DUST COVER (H=4.25) -LEAD FREE-		
	10 OVER 30 UNDER	±0.25	CHECKED BY ASAKAWA		DATE '04/11/15			
	30 OVER	±0.3	APPROVED BY ICHIKAWA		DATE '04/11/15	MOLEX INCORPORATED		
ANGULAR	±3 °	MATERIAL NO. SEE CHART		DOCUMENT NO. SD-501543-001	SHEET NO. 1 OF 2			
DRAFT WHERE APPLICABLE MUST REMAIN WITHIN DIMENSIONS		SIZE A3			THIS DRAWING CONTAINS INFORMATION THAT IS PROPRIETARY TO MOLEX INCORPORATED AND SHOULD NOT BE USED WITHOUT WRITTEN PERMISSION			

10 9 8 7 6 5 4 3 2 1



参考基板レイアウト
RECOMMENDED P.C. BOARD
PATTERN DIM. (REF.)

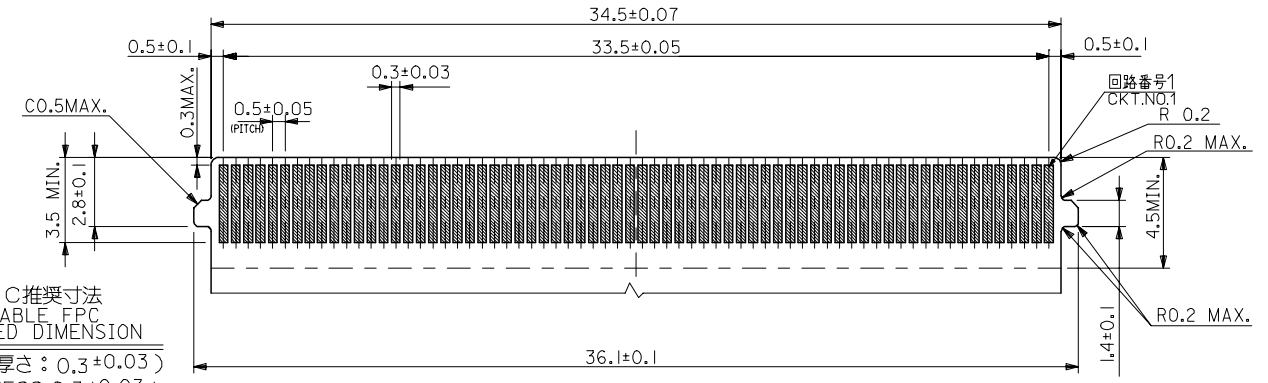
注記
NOTE

1. 材質
MATERIAL
ハウジング: ガラス入り耐熱樹脂 UL94V-0, GLASS FILLED HEAT-RESISTED RESIN, UL94V-0
ハウジング: GLASS FILLED HEAT-RESISTED RESIN, UL94V-0
アクチュエータ: ガラス入り耐熱樹脂 UL94V-0, GLASS FILLED HEAT-RESISTED RESIN, UL94V-0
ターミナル: 銅合金 COPPER ALLOY
ターミナル: COPPER ALLOY
ネイル: 銅合金 COPPER ALLOY
ネイル: COPPER ALLOY

2. めっき仕様
PLATING
ターミナル: 金めっき (コンタクト部) GOLD PLATING
ターミナル: GOLD PLATING
下地ニッケルめっき (コンタクト部) UNDER-PLATING NICKEL (Ni)
下地ニッケルめっき (コンタクト部) UNDER-PLATING NICKEL (Ni)
金めっき (テール部) GOLD PLATING
金めっき (テール部) GOLD PLATING
下地ニッケルめっき (テール部) UNDER-PLATING NICKEL (Ni)
下地ニッケルめっき (テール部) UNDER-PLATING NICKEL (Ni)
ネイル: 鍍めつき TIN PLATING
ネイル: TIN PLATING
下地ニッケルめっき UNDER-PLATING NICKEL (Ni)
下地ニッケルめっき UNDER-PLATING NICKEL (Ni)

△ 適用電線
APPLICABLE CABLE
厚さ 0.3 mm の FPC ケーブル
FPC CABLE OF 0.3 mm IN THICKNESS

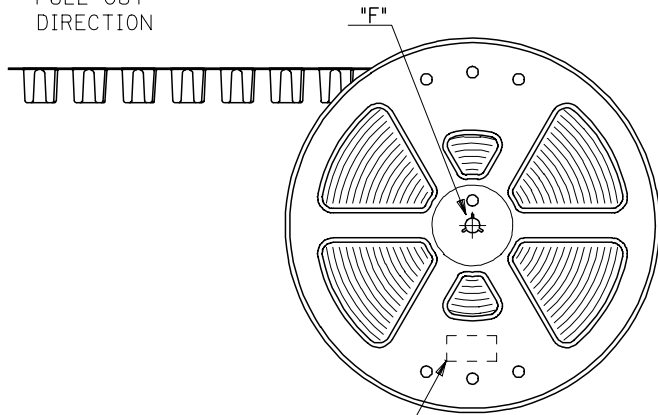
4. ターミナル及びネイルの平坦度は 0.1 MAX. とする。
TERMINAL AND NAIL COPLANARITY TO BE 0.1 MAX.



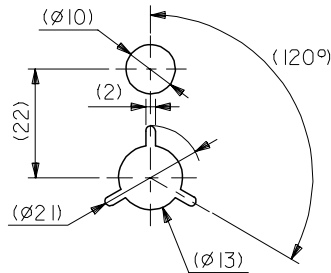
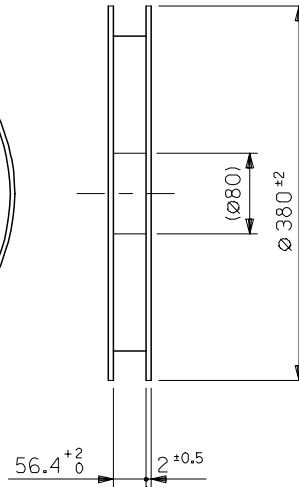
△ 適合FPC推奨寸法
APPLICABLE FPC
RECOMMENDED DIMENSION
(仕上がり厚さ: 0.3 ± 0.03)
(THICKNESS: 0.3 ± 0.03)

RELEASED EC NO: J2005-1453 DRAWN: MERIGUCHI 2004/11/17 CHKD: KASAKAWA 2004/11/17 APPR: SICHIKAWA 2004/11/19	GENERAL TOLERANCES (UNLESS SPECIFIED)		DIMENSION STYLE MM ONLY		SCALE 5:1	DESIGN UNITS METRIC	THIRD ANGLE PROJECTION	
	10 UNDER	± 0.2	DRAWN BY ERIGUCHI	DATE '04/11/15	TITLE 0.5 MM PITCH FPC CONN. E/O R/A WITH DUST COVER (H=4.25) -LEAD FREE-			
	10 OVER 30 UNDER	± 0.25	CHECKED BY ASAKAWA	DATE '04/11/15				
	30 OVER	± 0.3	APPROVED BY ICHIKAWA	DATE '04/11/15	MOLEX INCORPORATED			
ANGULAR	± 3 °	MATERIAL NO. SEE CHART		DOCUMENT NO. SD-501543-001		SHEET NO. 2 OF 2		
DRAFT WHERE APPLICABLE MUST REMAIN WITHIN DIMENSIONS		THIS DRAWING CONTAINS INFORMATION THAT IS PROPRIETARY TO MOLEX INCORPORATED AND SHOULD NOT BE USED WITHOUT WRITTEN PERMISSION						

引き出し方向
PULL OUT
DIRECTION



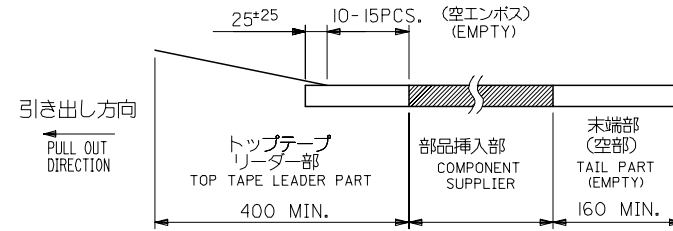
現品票
PART IDENTIFICATION
LABEL



DETAIL "F"

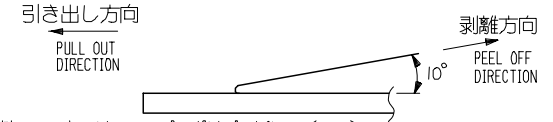
- NOTES 1. 梱包数量：800個/リール
NUMBER OF CONNECTORS : 800PCS/REEL
2. リードテープ長さ
LEAD TAPE LENGTH

トップテープ 未接着部
TOP TAPE NON-BONDED PART



引き出し方向
PULL OUT
DIRECTION

3. トップテープの剥離強度：0.6±0.35N (60±35gf)
<剥離速度：300mm/min (参考)> (剥離方向は下図参照)
PEELING OFF FORCE OF TOP TAPE : 0.6±0.35N (60±35gf)
(PEELING DIRECTION AS SHOWN IN FOLLOWING FIG.)
PEELING OFF SPEED : 300mm/min. (REF.)



4. 材料 キャリアテープ：ポリプロピレン (PP)
トップテープ : PET、PE、PEF
リール : ポリスチレン (PS) <リサイクル材を含む>
MATERIAL CARRIER TAPE : POLYPROPYLENE
TOP TAPE : PET, PE, PEF
REEL : POLYSTYRENE (PS) <RECYCLE MATERIAL CONTAINED>

5. 欠損無きこと。
THERE MUST NOT BE LOSS.
6. コネクタ番号：501543-6819
CONNECTOR No. : 501543-6819

501543-6880 68
製品番号 極致
MATERIAL NO. CKT.

RELEASED EC NO: J2005-1453 DRAWN: ERIGUCHI 2004/11/17 CHKD: KASAKAWA 2004/11/17 APPR: SICHIKAWA 2004/11/19	GENERAL TOLERANCES (UNLESS SPECIFIED)		DIMENSION STYLE MM ONLY		SCALE ---	DESIGN UNITS METRIC	THIRD ANGLE PROJECTION
	10 UNDER	±0.2	DRAWN BY DATE ERIGUCHI '04/11/15		TITLE 0.5 FPC CONN. E/O R/A ASS'Y EMBSTP PKG. WITH DUST COVER -LEAD FREE-		
	10 OVER 30 UNDER	±0.25	CHECKED BY DATE ASAKAWA '04/11/15		MOLEX INCORPORATED		
	30 OVER	±0.3	APPROVED BY DATE ICHIKAWA '04/11/15		DOCUMENT NO. SD-501543-002	SHEET NO. 1 OF 2	
	ANGULAR	±3 °	MATERIAL NO. SEE CHART				
A	DRAFT WHERE APPLICABLE MUST REMAIN WITHIN DIMENSIONS		SIZE A3		THIS DRAWING CONTAINS INFORMATION THAT IS PROPRIETARY TO MOLEX INCORPORATED AND SHOULD NOT BE USED WITHOUT WRITTEN PERMISSION		

10 9 8 7 6 5 4 3 2 1

F

E

D

C

B

A

F

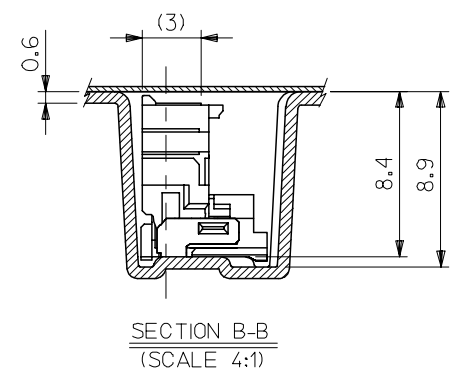
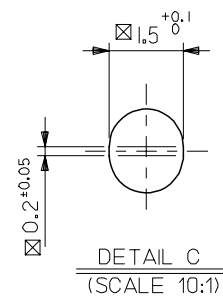
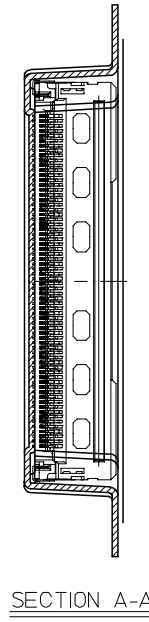
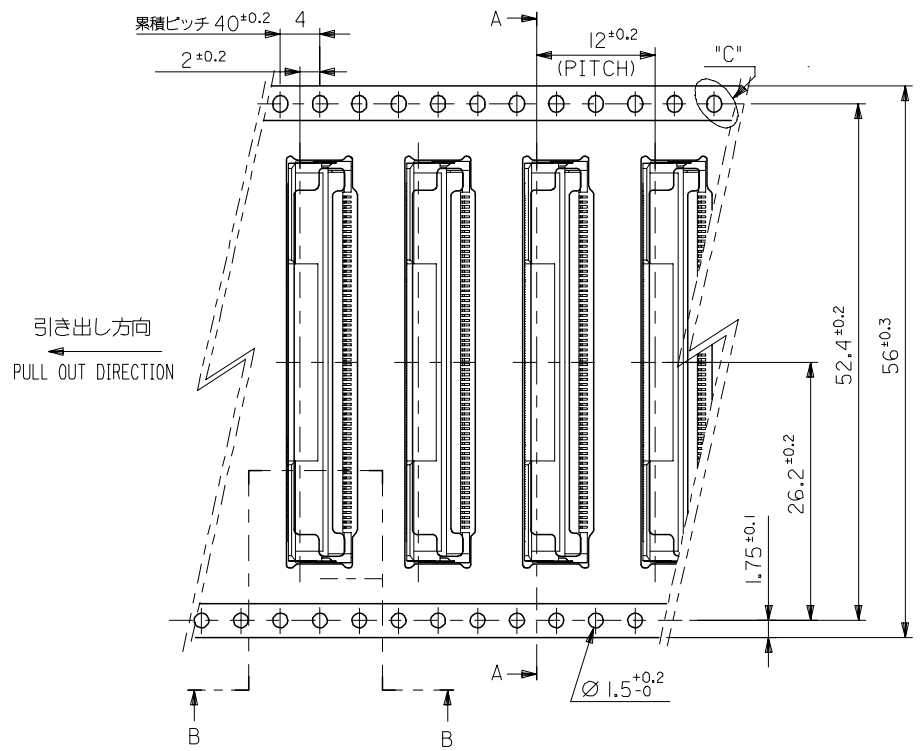
E

D

C

B

A



RELEASED EC NO: J2005-1453 DRAWN: ERIGUCHI 2004/11/17 CHKD: KASAKAWA 2004/11/17 APPR: S. ICHIKAWA 2004/11/19	GENERAL TOLERANCES (UNLESS SPECIFIED)		DIMENSION STYLE MM ONLY		SCALE 2:1	DESIGN UNITS METRIC	THIRD ANGLE PROJECTION		
	10 UNDER	±0.2	DRAWN BY ERIGUCHI		DATE '04/11/15	TITLE 0.5 FPC CONN. E/O R/A ASS'Y EMBSTP PKG. WITH DUST COVER -LEAD FREE-			
	10 OVER 30 UNDER	±0.25	CHECKED BY ASAKAWA		DATE '04/11/15	MOLEX INCORPORATED			
	30 OVER	±0.3	APPROVED BY ICHIKAWA		DATE '04/11/15	DOCUMENT NO. SD-501543-002		SHEET NO. 2 OF 2	
	ANGULAR	±3 °	MATERIAL NO. SEE CHART						
DRAFT WHERE APPLICABLE MUST REMAIN WITHIN DIMENSIONS		SIZE A3		THIS DRAWING CONTAINS INFORMATION THAT IS PROPRIETARY TO MOLEX INCORPORATED AND SHOULD NOT BE USED WITHOUT WRITTEN PERMISSION					