
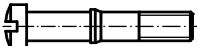


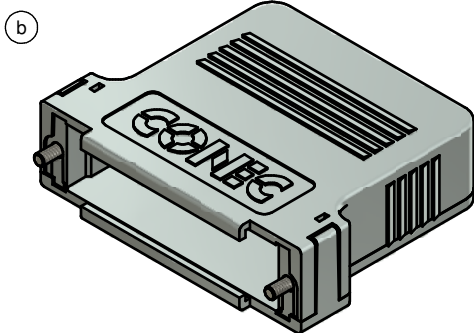
 CABLE STRAIN RELIEF (1x)	 LENS HEAD SCREW (2x)	
 SHORT SCREW (2x)	 PRESS INSERT (1x)	 COVER SCREW (2x)



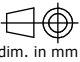

NOTES:

1. HOOD + COVER: ABS UL 94 V-0; METALLIZED
2. CABLE STRAIN RELIEF: STEEL; NICKEL PLATED
3. PRESS INSERT: ABS UL 94 V-0; METALLIZED
4. SHORT SCREWS: STEEL; NICKEL PLATED
5. COVER SCREWS: STEEL; NICKEL PLATED
6. LENS HEAD SCREWS: STEEL; NICKEL PLATED

TECHNICAL DATA:

- TEMPERATURE RANGE: -33°C to + 90 °C

Directive 2002/95/EC RoHS compliant

THIS DRAWING MAY NOT BE COPIED OR REPRODUCED IN ANY WAY, AND MAY NOT BE PASSED ON TO A THIRD PARTY WITHOUT WRITTEN PERMISSION. OWNERSHIP AND COPYRIGHT OF CONEC GmbH DO NOT ALTER CAD DRAWING BY HAND				tolerance		scale: 1:1	
				date	name	material:	
				drawn	03.09.14	Unkrüer	
				appd.	03.09.14	Lehmenkühler	
				norm			
				d-old	16K2A171A		
3 x b	Ä 5304	03.09.2014	Unkrüer	title: PLASTIC HOOD 50pos. with straight cable exit			
a	Original						
						dwg no: (b) 16K1A3497	DIN-A3 sh: 1
rev.	description	date	name	part no: 165X13509X			